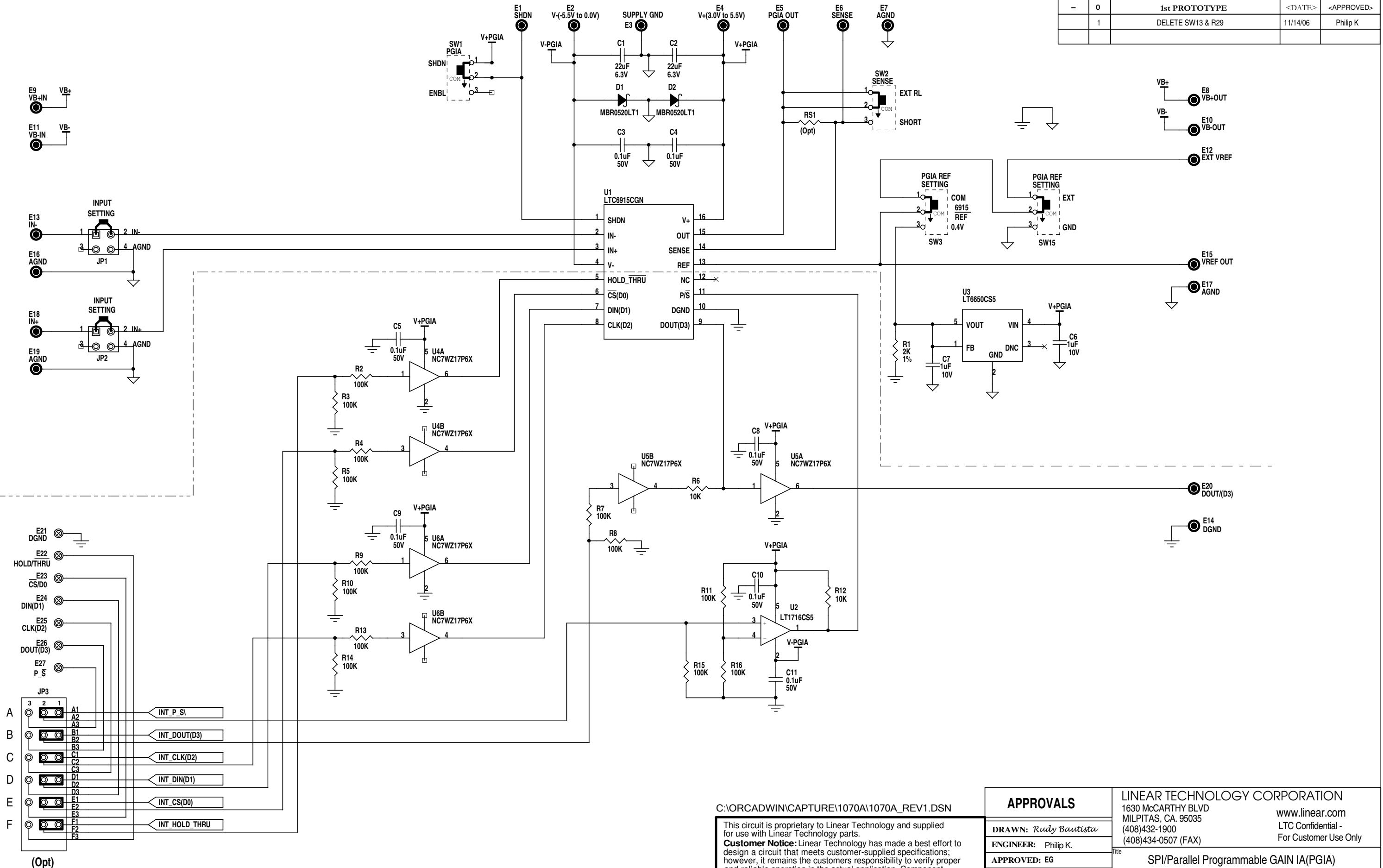


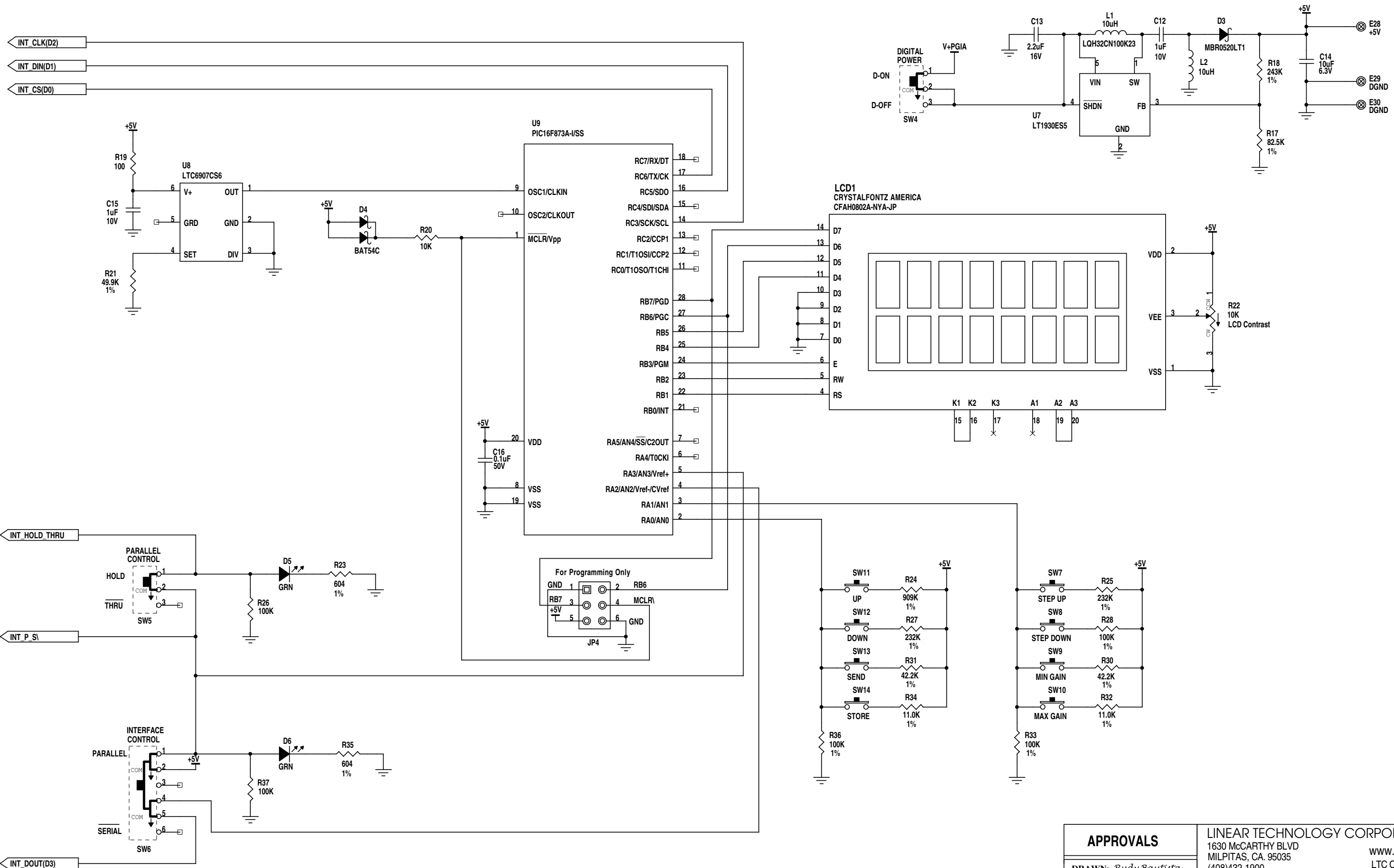
REVISION HISTORY				
ECO	REV	DESCRIPTION	DATE	APPROVED
-	0	1st PROTOTYPE	<DATE>	<APPROVED>
	1	DELETE SW13 & R29	11/14/06	Philip K



C:\ORCADWINCAPTURE\1070A\1070A_REV1.DSN

This circuit is proprietary to Linear Technology and supplied for use with Linear Technology parts.
Customer Notice: Linear Technology has made a best effort to design a circuit that meets customer-supplied specifications; however, it remains the customers responsibility to verify proper and reliable operation in the actual application. Component substitution and printed circuit board layout may significantly affect circuit performance or reliability. Contact Linear Applications Engineering for assistance.

APPROVALS		LINEAR TECHNOLOGY CORPORATION	
DRAWN: Rudy Bautista		1630 McCARTHY BLVD	www.linear.com
ENGINEER: Philip K.		MILPITAS, CA. 95035	LTC Confidential -
APPROVED: EG		(408)432-1900	For Customer Use Only
CHECKED: EG		(408)434-0507 (FAX)	
		Title: SPI/Parallel Programmable GAIN IA (PGIA)	
Size	Document Number	Demo Circuit 1070A	
Date: Tuesday, November 27, 2007	Sheet 1 of 2	Rev 1	



APPROVALS		LINEAR TECHNOLOGY CORPORATION	
DRAWN: Rudy Bautista		1630 McCARTHY BLVD	
ENGINEER: Philip K.		MILPITAS, CA. 95035	
APPROVED: EG		www.linear.com	
CHECKED: EG		(408)432-1900	
		(408)434-0507 (FAX)	
		LTC Confidential - For Customer Use Only	
Title: SPI/Parallel Programmable GAIN IA(PGIA)			
Size	Document Number	Demo Circuit 1070A	
Date:	Tuesday, November 27, 2007	Sheet	2 of 2
		Rev	1