



LAYOUT SHOWN AS EXAMPLE

Keying Shown as example

CHARACTERISTICS

- Standard : Based on MIL-DTL-38999 Series III
- Shell Material : Stainless Steel
- Shell Plating : Nickel
- Insulator : Thermoplastic
- Contacts : Copper Alloy
- Seals & Grommet : Silicon Elastomer
- Contact Plating : Gold over copper Alloy 0.8µm minimum
- Durability : 500 Mating cycles
- Delivered with Souriau contacts and Accessories
- Temperature Range : -65°C to +200°C
- Salt Spray : 500 hours

Connector dimension	
Dim	Nominal
P	3.91±0.2
PP	6.15±0.2
R1	38.1
R2	34.93
S	46±0.3
V	20.07+0/-1.25
W	2.1/3.2
Z	31.5 Max
VV THREAD	M37x1-6g

SOURIAU shall not be liable for any non-conformity or damage due to a use of the Products which does not comply with the Specifications issued by either of the Parties or by a third party (professional recommendation, technical notice.)

Country	Jurisdiction & Control List
FR	Not Listed

PN: 8D025S90AB

A	17-10-2016	First Release	
ISS	DATE	Latest modification - by	MOD N°
Designed By:		Date:	CUSTOMER DRAWING

TITLE Stainless Steel Receptacle 8D series

SCALE		General linear Tolerances:	NPRDS / PROJECT
NA		±--	859

SOURIAU WWW.SOURIAU.COM

This document is the property of SOURIAU it must not be reproduced or communicated without permission

FORMAT	SOURIAU DRG N° 8D025S90AB-C		SHEET
A3			1/2

BASIC SERIES: 8D 0 - 25 S 90 A B

SHELL TYPE : Square Flange Receptacle

CONTACT TYPE : Standard Crimp Contact

SHELL SIZE : 25

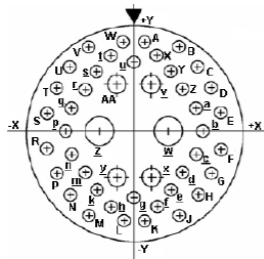
PLATING : S = Nickel

ORIENTATION : B

CONTACT TYPE : PIN(500 Matings)

CONTACT LAYOUT : 25-50

Contact Layout

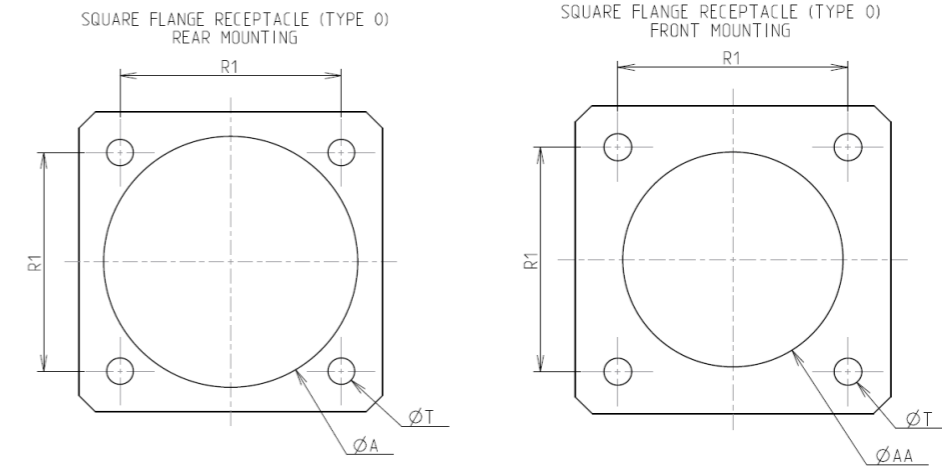


(Inactive for new design for MIL-DTL-38999. For new design, use arrangement no. 25-91.)

Contacts (Insert arrangement 25-90)					
Contact position ID	Location		Contact position ID	Location	
	X-axis (mm)	Y-axis (mm)		X-axis (mm)	Y-axis (mm)
A	+065 (1.65)	+533 (13.54)	a	+404 (10.26)	+125 (3.18)
B	+275 (6.99)	+466 (11.84)	b	+437 (11.10)	+000 (0.00)
C	+420 (10.67)	+337 (8.56)	c	+404 (10.26)	-125 (3.18)
D	+490 (12.45)	+227 (5.77)	d	+314 (7.98)	-221 (5.61)
E	+531 (13.49)	+093 (2.36)	e	+245 (6.22)	-337 (8.56)
F	+531 (13.49)	-093 (2.36)	f	+136 (3.45)	-424 (10.77)
G	+490 (12.45)	-227 (5.77)	g	+000 (0.00)	-395 (10.03)
H	+420 (10.67)	-337 (8.56)	h	-136 (3.45)	-424 (10.77)
J	+275 (6.99)	-466 (11.84)	j	-245 (6.22)	-337 (8.56)
K	+065 (1.65)	-533 (13.54)	k	-314 (7.98)	-221 (5.61)
L	-065 (1.65)	-533 (13.54)	l	-404 (10.26)	-125 (3.18)
M	-275 (6.99)	-466 (11.84)	m	-437 (11.10)	+000 (0.00)
N	-420 (10.67)	-337 (8.56)	n	-404 (10.26)	+125 (3.18)
P	-490 (12.45)	-227 (5.77)	p	-314 (7.98)	+221 (5.61)
R	-531 (13.49)	-093 (2.36)	r	-245 (6.22)	+337 (8.56)
S	-531 (13.49)	+093 (2.36)	s	-136 (3.45)	+424 (10.77)
T	-490 (12.45)	+227 (5.77)	t	+000 (0.00)	+395 (10.03)
U	-420 (10.67)	+337 (8.56)	u	+097 (2.46)	+265 (6.73)
V	-275 (6.99)	+466 (11.84)	v	+180 (4.57)	+000 (0.00)
W	-065 (1.65)	+533 (13.54)	w	+097 (2.46)	-265 (6.73)
X	+136 (3.45)	+424 (10.77)	x	-097 (2.46)	-265 (6.73)
Y	+245 (6.22)	+337 (8.56)	y	-180 (4.57)	+000 (0.00)
Z	+314 (7.98)	+221 (5.61)	z	-097 (2.46)	+265 (6.73)
			AA		

Shell size	Arrangement no.	Number of contacts	Size of contacts	Service rating	Contact location	Standard contact	
						Pin	Socket
25	-90	2	8 (see note)	Twinax	W, Z V, X, Y AA All others	M39029/90-529	M39029/91-530
		4	16			M39029/56-364	M39029/56-352
		40	20			M39029/56-363	M39029/56-351

Panel Cutout



Dim	Nominal
ØA	42.47 min
ØAA	37.69 min
R1	38.1
ØT	3.81 ±0.13

SOURIAU shall not be liable for any non-conformity or damage due to a use of the Products which does not comply with the Specifications issued by either of the Parties or by a third party (professional recommendation, technical notice.)

Country	Jurisdiction & Control List
FR	Not Listed

PN: 8D025S90AB

A	17-10-2016	First Release	
ISS	DATE	Latest modification - by	MOD N°
Designed By:		Date:	CUSTOMER DRAWING
TITLE	Stainless Steel Receptacle 8D series		
SCALE		General linear Tolerances: ±--	NPRDS / PROJECT 859
NA			
SOURIAU	WWW.SOURIAU.COM		This document is the property of SOURIAU it must not be reproduced or communicated without permission
FORMAT	SOURIAU DRG N° 8D025S90AB-C		SHEET 2/2