

DIALIGHT PART NUMBER	COLOR	VOLTAGE	LENS
507-4756-3331-500F	RED	3.6 VDC	FIG. 1
507-4756-3731-500F	RED	3.6 VDC	FIG. 2
507-4757-3331-500F	RED	5 VDC	FIG. 1
507-4757-3731-500F	RED	5 VDC	FIG. 2
507-4759-3331-500F	RED	10 VDC	FIG. 1
507-4759-3731-500F	RED	10 VDC	FIG. 2
507-4760-3331-500F	RED	14 VDC	FIG. 1
507-4760-3731-500F	RED	14 VDC	FIG. 2
507-4761-3331-500F	RED	28 VDC	FIG. 1
507-4761-3331-807F	RED	28 VDC	FIG. 1
507-4761-3731-500F	RED	28 VDC	FIG. 2
507-4856-3332-500F	GREEN	3.6 VDC	FIG. 1
507-4856-3732-500F	GREEN	3.6 VDC	FIG. 2
507-4857-3332-500F	GREEN	5 VDC	FIG. 1
507-4857-3732-500F	GREEN	5 VDC	FIG. 2
507-4859-3332-500F	GREEN	10 VDC	FIG. 1
507-4859-3732-500F	GREEN	10 VDC	FIG. 2
507-4860-3332-500F	GREEN	14 VDC	FIG. 1
507-4860-3732-500F	GREEN	14 VDC	FIG. 2
507-4861-3332-500F	GREEN	28 VDC	FIG. 1
507-4861-3732-500F	GREEN	28 VDC	FIG. 2
507-4956-3333-500F	YELLOW	3.6 VDC	FIG. 1
507-4956-3733-500F	YELLOW	3.6 VDC	FIG. 2
507-4957-3333-500F	YELLOW	5 VDC	FIG. 1
507-4957-3733-500F	YELLOW	5 VDC	FIG. 2
507-4959-3333-500F	YELLOW	10 VDC	FIG. 1
507-4959-3733-500F	YELLOW	10 VDC	FIG. 2
507-4960-3333-500F	YELLOW	14 VDC	FIG. 1
507-4960-3733-500F	YELLOW	14 VDC	FIG. 2
507-4961-3333-500F	YELLOW	28 VDC	FIG. 1
507-4961-3733-500F	YELLOW	28 VDC	FIG. 2

RoHS COMPLIANT 507-XXXX-3X3X-X00XF
 Part Numbers with the "F" suffix ending are RoHS Compliant.
 For example: 507-4756-3331-500F
 Packaging is marked with "RoHS Compliant" label or equivalent markings.

FIG. 1
(CYLINDRICAL LENS)

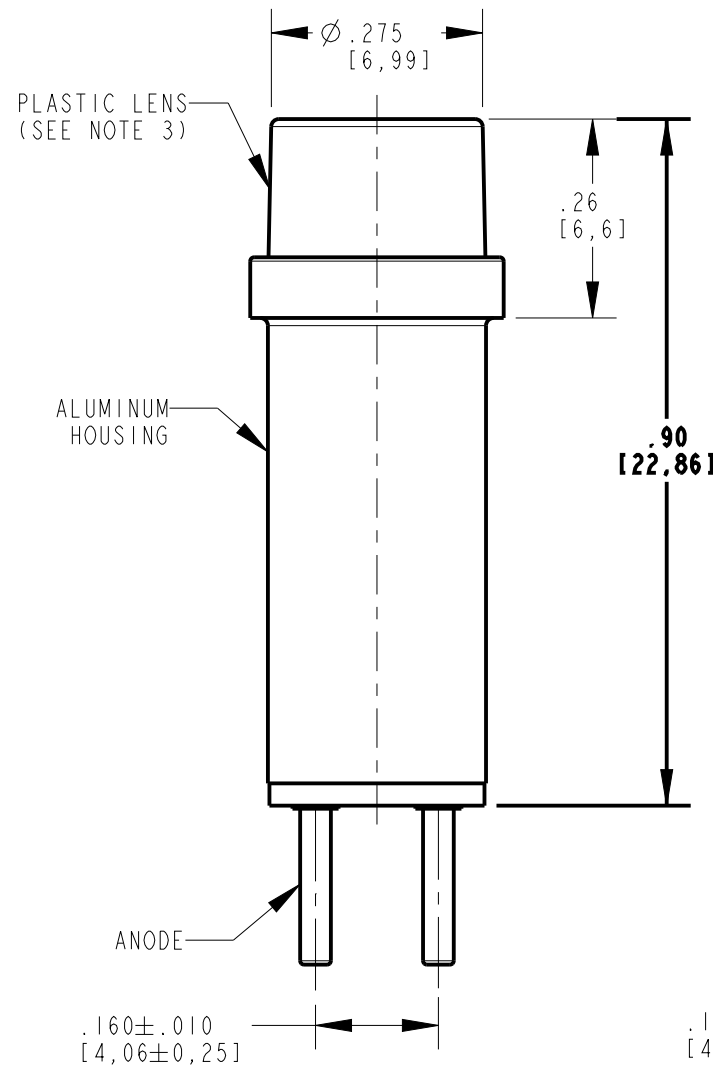
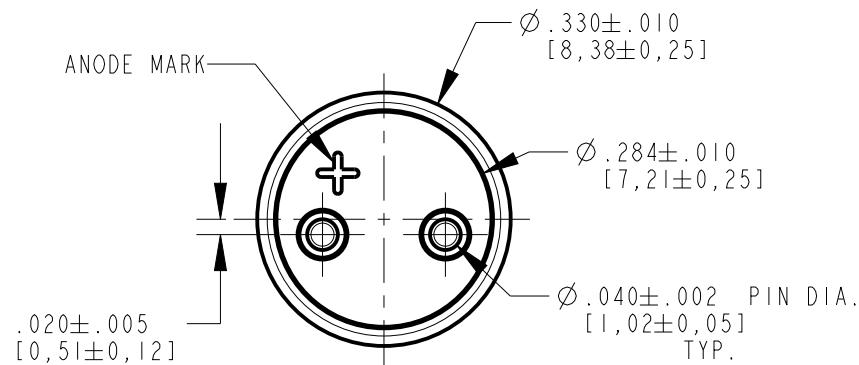
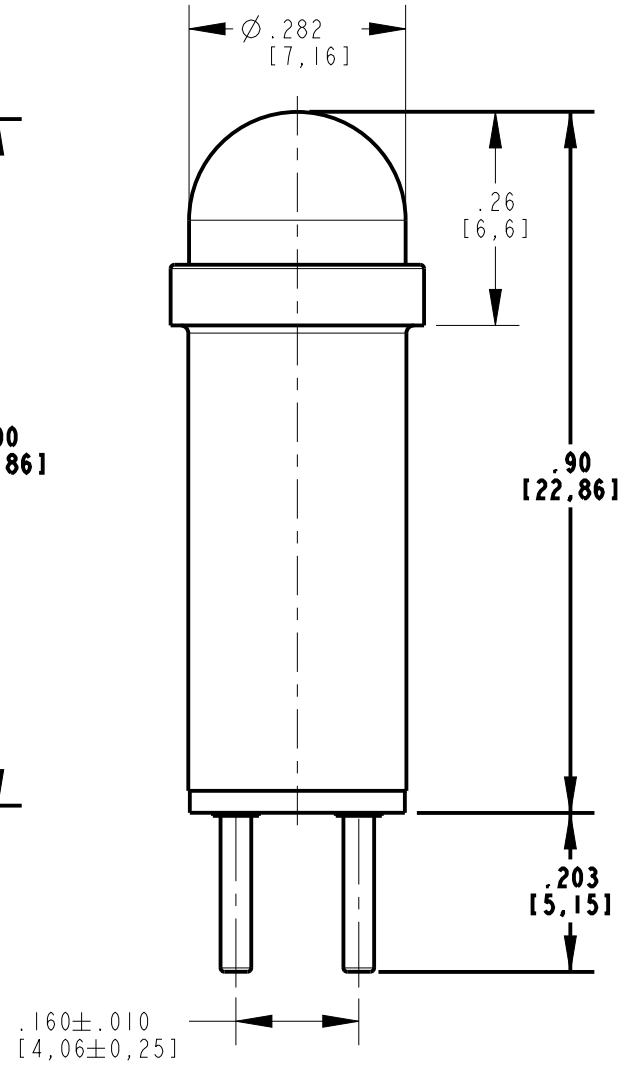


FIG. 2
(STOVEPIPE LENS)



REV	REVISIONS	DRN	APP	DATE
A	NEW RELEASE	AJF	CJC	1-21-10
B	ADDED P/Ns: 507-5164-3337-500F, 507-5164-3737-500F, 507-5166-3337-500F, 507-5166-3737-500F, 507-5167-3337-500F, 507-5167-3737-500F, 507-5168-3337-500F, 507-5168-3737-500F	AJF	CJC	5-27-10
C	REMOVED P/Ns CONTAINING BLUE AND WHITE COLOR LED'S REMOVED NOTE 6 AND ESDS SYMBOL	WFB	N.O.	3-11-13
D	ADDED PART No: 507-4761-3331-807F	JGL	SK	10/04/2021

NOTES:

- POLARITY OF LAMP IS CRITICAL.
- THE RATED VOLTAGE IS NOT TO BE EXCEEDED BY MORE THAN 5% IN ORDER TO AVOID DAMAGE TO LAMP.
- LENS CONTAINS AN INTERNAL FRESNEL RING PATTERN TO ASSURE MAXIMUM LIGHT OUTPUT.
- DIALIGHT PART NUMBER 507-XXXX-3X3X-X00XF.
- PART CAN BE USED WITH DIALIGHT 250 AND 508 SERIES HOLDERS FOR .375" MOUNTING HOLE OR 515 SERIES CONNECTORS FOR 9/32" MOUNTING HOLE.

THIS DRAWING AND THE CONTENTS HEREIN ARE CONFIDENTIAL AND THE SOLE PROPERTY OF DIALIGHT CORP. REPRODUCTION OF THIS DRAWING OR CONSTRUCTION OF ANY PARTS WITHIN THIS DRAWING ARE FORBIDDEN WITHOUT THE WRITTEN CONSENT OF DIALIGHT CORP.		
SCALE: 4.000	DRAWING NUMBER	REV
ALL DIM'S: INCH (mm)	C-17811	D
TOLERANCES: UNLESS OTHERWISE SPECIFIED	TITLE	
FRACTIONS: ±1/64 DECIMALS (.XX): ±.02 DECIMALS (.XXX): ±.015	507 LED DATALAMP CARTRIDGES	
ANGLES: ±3°	MATERIAL	
FINISH		
FSCM 83330	1501 ROUTE 34 SOUTH FARMINGDALE, NJ 07727 (732) 919-3119 www.dialight.com	
SHEET 1 OF 1		FAMILY TABLE: