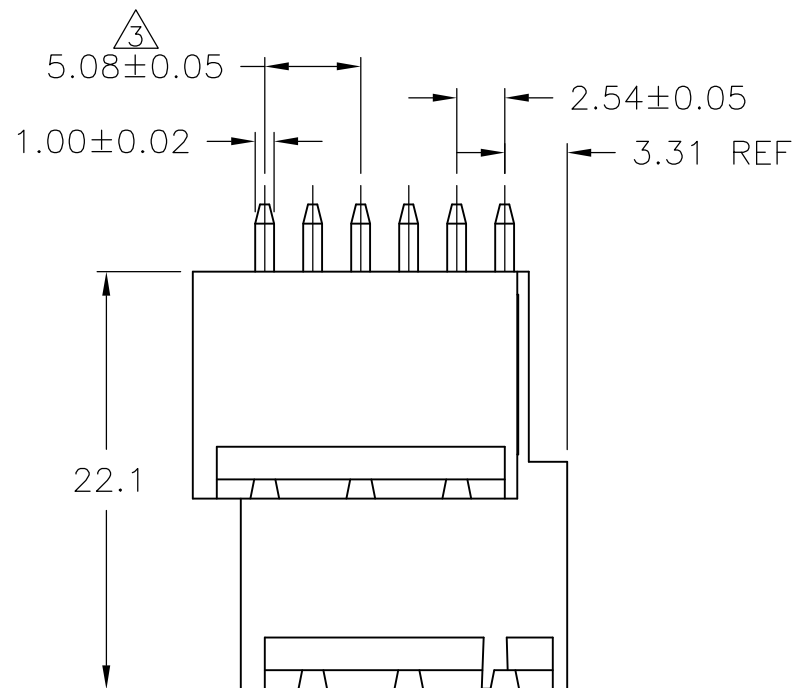


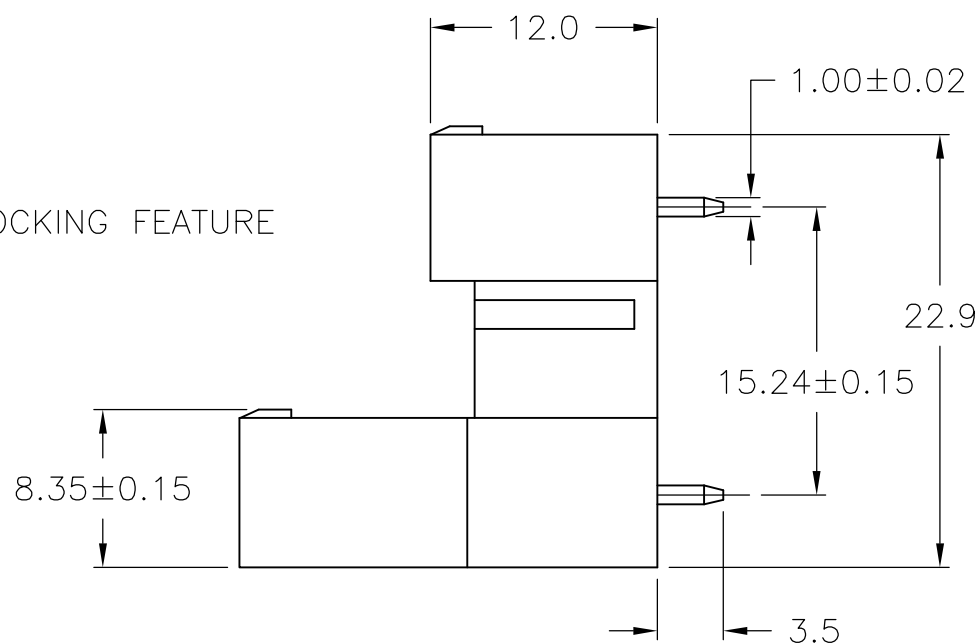
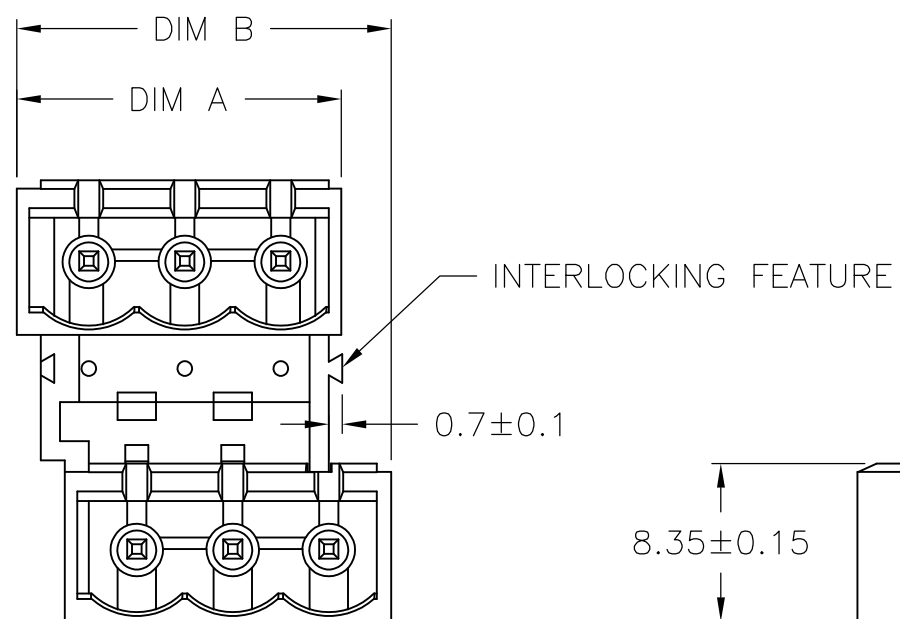
THIS DRAWING IS UNPUBLISHED. RELEASED FOR PUBLICATION

© COPYRIGHT - BY TYCO ELECTRONICS CORPORATION. ALL RIGHTS RESERVED.

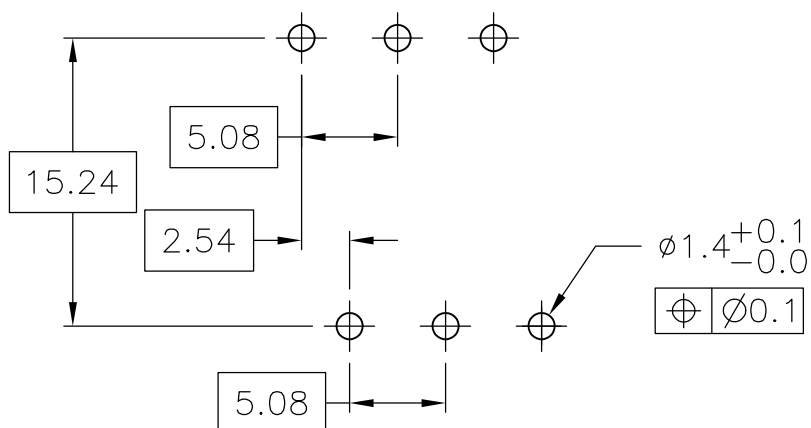
LOC	DIST	REVISIONS					
		P	LTR	DESCRIPTION	DATE	DWN	APVD
-	-	1	-		1/30/08	SS	CR



- 1 MATERIALS AND FINISH  
HOUSING: PA 6-6, UL 94-V0, COLOR: BLACK.  
TERMINAL: PHOSPHOR BRONZE, TIN PLATED.
- 2. SUITABLE FOR 1,6-2,4mm PC BOARD THICKNESS.
- 3 NOT CUMULATIVE TOLERANCE.



THIS PRINT IS  
**PRELIMINARY**  
PRIOR TO CUSTOMER ORDER  
CONTACT PRODUCT ENGINEERING  
BEFORE USING THIS PRINT



RECOMMENDED PC BOARD LAYOUT

132.46	129.92	25	2-1986344-5
127.38	124.84	24	2-1986344-4
DIM B	DIM A	NO OF POS	PART NUMBER

THIS DRAWING IS A CONTROLLED DOCUMENT.		DWN S SCHLEGEL 30JAN2008	Tyco Electronics Corporation Harrisburg, PA 17105-3608	
DIMENSIONS: mm		CHK C RICHARD 1/30/08	NAME C RICHARD 1/30/08	
TOLERANCES UNLESS OTHERWISE SPECIFIED:		PRODUCT SPEC	TERMINAL BLOCK MULTIPLE HEADER 180 DEGREE, CLOSED ENDS 5.08mm PITCH	
0 PLC ± -		APPLICATION SPEC	SIZE A3	CAGE CODE 00779
1 PLC ± 0.3		WEIGHT -	DRAWING NO C-1986344	RESTRICTED TO -
2 PLC ± 0.25		CUSTOMER DRAWING		
3 PLC ± -		SCALE 4:1	SHEET 1 OF 1	REV 1
4 PLC ± -				
ANGLES ± 2'				
FINISH				
-				