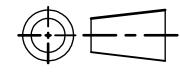
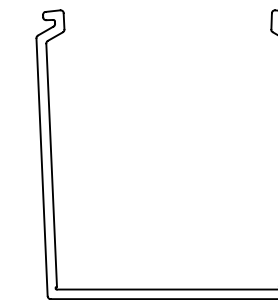


SW2010



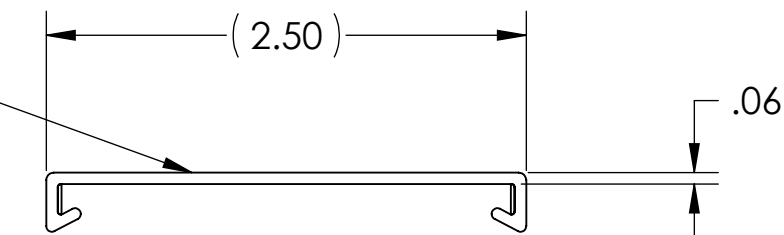
Revision level		Revision Record	Changed	Date	Approved	Date
Drawing	Part					
01	-	SEE ECN# 100016	MHT	01/09/2012	MHT	02/06/2012

SCALE 1:2

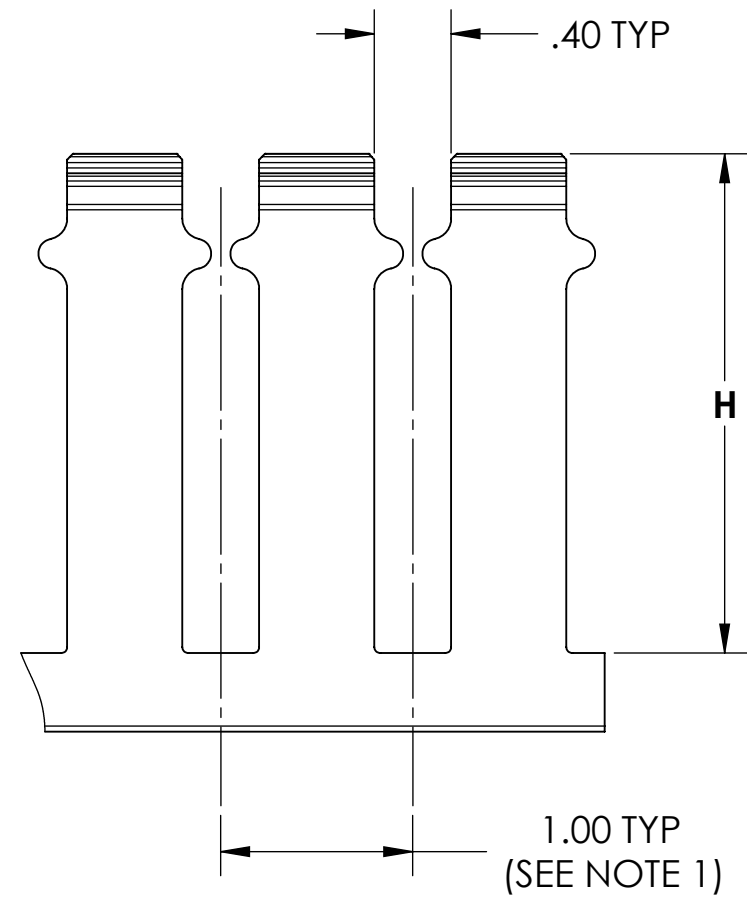


2.5X3

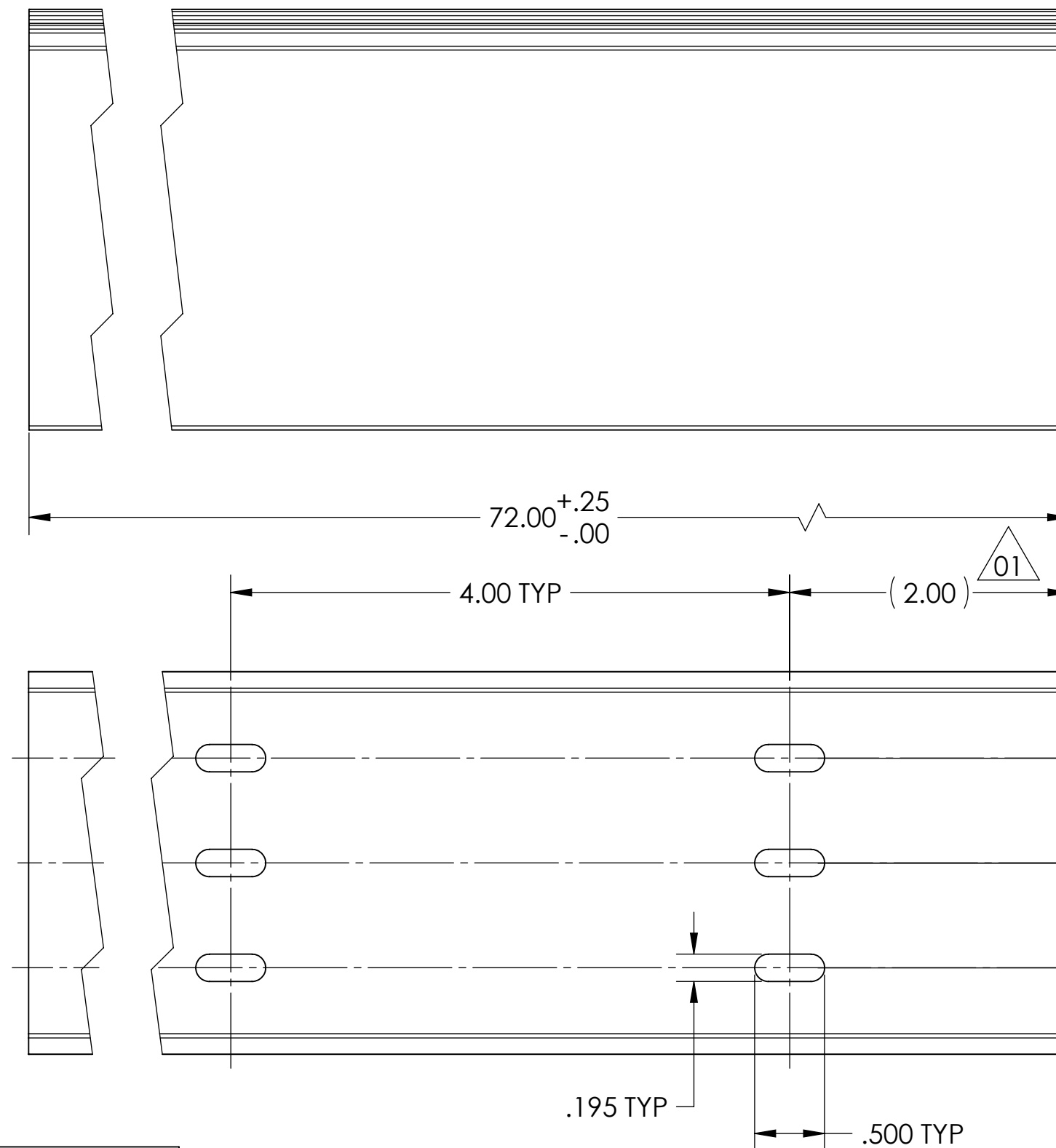
COVER WITH REMOVABLE PROTECTIVE FILM



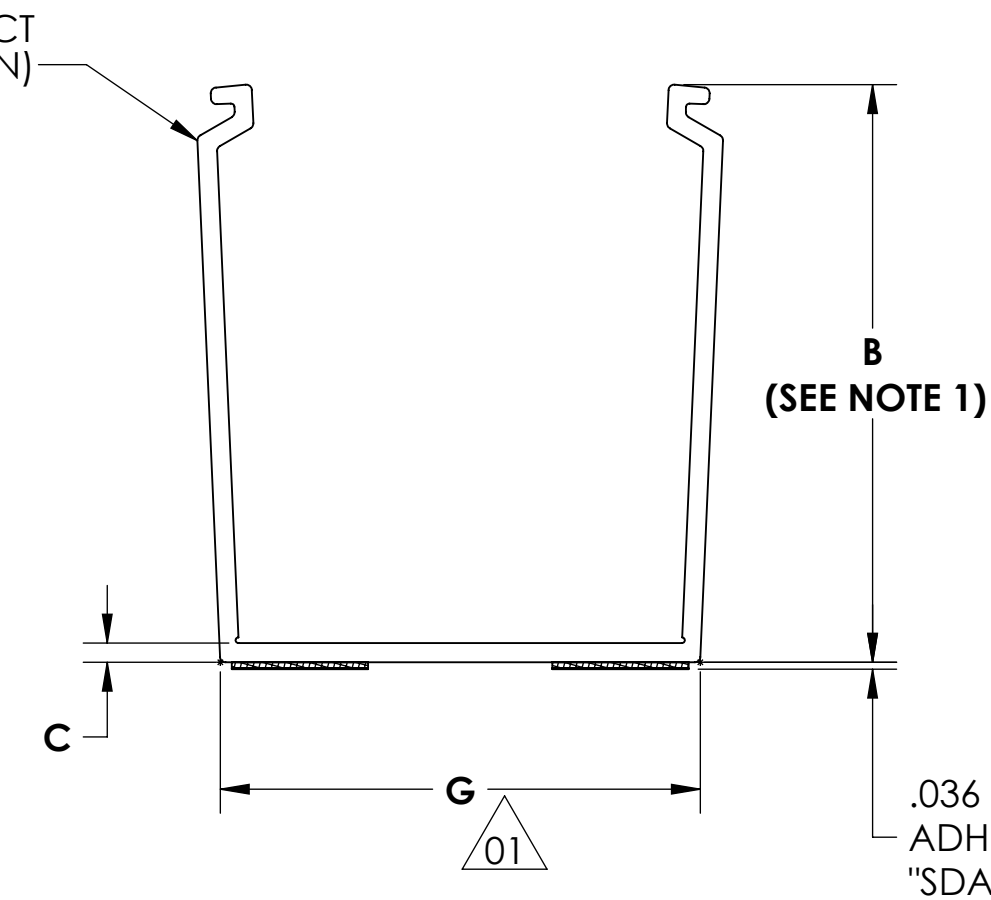
SLOTTED WALL DUCT TYPE "SL"



SOLID WALL DUCT TYPE "SD"



DUCT (2.5X3 SHOWN)



.036 REF ADHESIVE TAPE "SDA" & "SLA" TYPE

50% WIRE FILL CAPACITY  
WIRE O.D.

DUCT SIZE (WxH)	DUCT AREA (Sq. In.)	TWISTED PAIR 24 AWG UNSHIELDED								
		12AWG	14AWG	16AWG	18AWG	22AWG	4 Pr. Cat 5e	4 Pr. Cat 6	4 Pr. Cat 6a	
2.5X3	6.564	.158	.165	.139	.125	.113	.065	.217	.240	.354
		167	154	216	268	327	990	89	73	33

TYPE NUMBER	DESCRIPTION	MOUNTING METHOD	B (SEE NOTE 1)	C	G	H
TC2.5	COVER	-	-	-	-	-
SD2.5X3	SOLID DUCT	SCREW	3.009 +.035/-0.020	.100 +/--.007	2.500 +/--.029	-
SDA2.5X3	SOLID DUCT W/ADHES.	ADHESIVE TAPE	3.009 +.035/-0.020	.100 +/--.007	2.500 +/--.029	-
SL2.5X3	SLOTTED DUCT	SCREW	3.009 +.035/-0.020	.100 +/--.007	2.500 +/--.029	2.600 ±.015
SLA2.5X3	SLOTTED DUCT W/ADHES.	ADHESIVE TAPE	3.009 +.035/-0.020	.100 +/--.007	2.500 +/--.029	2.600 ±.015

Notes  
1) BOTH SIDES ALIKE WITHIN .015



Material

PVC  
AVAILABLE IN WHITE,  
GRAY, BLACK, OR BLUE  
CONSULT FACTORY FOR  
OTHER COLORS  
RoHS COMPLIANT

Units

inches  
Dimension without tolerances  
details to:  
.xxxx = ±.0005  
.xxx = ±.005  
.xx = ±.01  
.x = ±.03  
None = ±.06  
∠ = ±0.5°

The copyright of this drawing is reserved by HellermannTyton. It is issued on condition that it is not reproduced, copied, or disclosed to a third party, either wholly or in part, without the consent of HellermannTyton.

Drawn

KAC

10/27/2010

Article/Type-No

SEE CHART

Title

2.5" WIDE SD, SDA, SL, SLA DUCT WITH COVER

Scale

1:1

Project Number

PRP07-021

Format

C

Sheet

1/1

HellermannTyton  
North America  
Email: corp@htamericas.com  
Web: www.hellermann.tyton.com

Article/Type-No

SEE CHART

Title

2.5" WIDE SD, SDA, SL, SLA DUCT WITH COVER

Scale

1:1

Project Number

PRP07-021

Format

C

Sheet

1/1

Drawing-No

DT07-021-252CST

Pre-Production : Phase