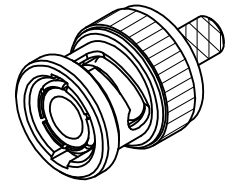


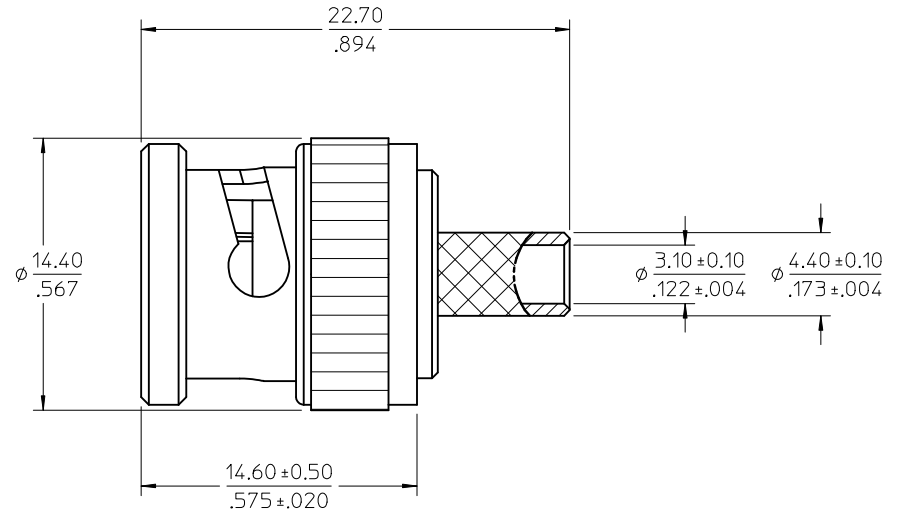
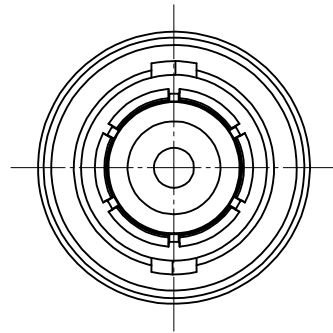
CABLE ATTACHMENTS :

INNER CONTACT ATTACHMENT--- SOLDER/CRIMP (HEX 1.69)  
 OUTER CONDUCTOR--- CRIMP (HEX 5.41)  
 ASSEMBLY INSTRUCTION--- AS-73597-0032



CONSTRUCTIONS :

COUPLING NUT---ZINC ALLOY  
 CONNECTOR BODY---BRASS  
 DIELECTRIC---POLYPROPYLENE  
 OUTER CONTACT---BRASS  
 CENTER CONTACT---BRASS  
 SPRING WASHER---BERYLLIUM COPPER  
 RETAINING RING---BRASS  
 WASHER---BRASS  
 GASKET---SILICONE RUBBER



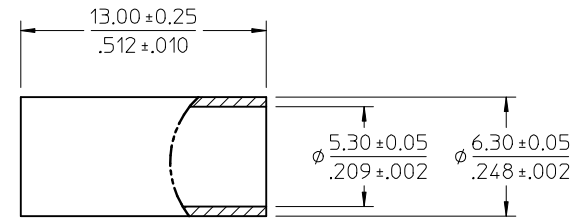
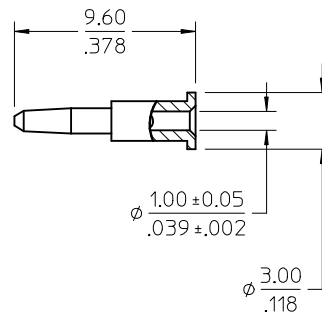
FINISHES :

COUPLING NUT--- PLATED NICKEL  
 CONNECTOR BODY---PLATED NICKEL  
 OUTER CONTACT---PLATED NICKEL  
 CENTER CONTACT---PLATED GOLD  
 SPRING WASHER---PLATED NICKEL  
 RETAINING RING---PLATED NICKEL  
 WASHER---PLATED NICKEL

MECHANICAL & ELECTRICAL CHARACTERISTICS :  
 PER PRODUCT SPECIFICATION PS-73598-0024

MATERIALS & FINISHES :  
 PER PRODUCT SPECIFICATION PS-73598-0024

PACKAGING : BY TRAY



P/N: 73171-3120 SINGLE ASSEMBLY 73104-5003 PER BAG

CHG: PKG BY TRAY PER RF15-E342 EC NO: URF2016-0265 DRW: CWE102 2015/10/01 CHKD: APPR: YCHENG 2015/10/07 REV: 3	QUALITY SYMBOLS ∇=0 ∇=0 ∇=0	GENERAL TOLERANCES (UNLESS SPECIFIED) mm INCH 4 PLACES ± --- ± --- 3 PLACES ± --- ± --- 2 PLACES ± --- ± --- 1 PLACE ± --- ± --- 0 PLACE ± ± ANGULAR ± --- ° DRAFT WHERE APPLICABLE MUST REMAIN WITHIN DIMENSIONS	DIMENSION STYLE MM/IN DRAWN BY DATE IRIS WANG 1991/01/18 CHECKED BY DATE APPROVED BY DATE MHUANG 2010/07/22 MATERIAL NO. 731045003	SCALE DESIGN UNITS METRIC THIRD ANGLE PROJECTION	TITLE BNC PLUG STRAIGHT RG58/.141, CRIMP/CRIMP BNC-PC <b>molex</b> DOCUMENT NO. SD-73104-5003 SHEET NO. 1 OF 1
	THIS DRAWING CONTAINS INFORMATION THAT IS PROPRIETARY TO MOLEX INCORPORATED AND SHOULD NOT BE USED WITHOUT WRITTEN PERMISSION				
	SIZE C				
	THIS DRAWING CONTAINS INFORMATION THAT IS PROPRIETARY TO MOLEX INCORPORATED AND SHOULD NOT BE USED WITHOUT WRITTEN PERMISSION				