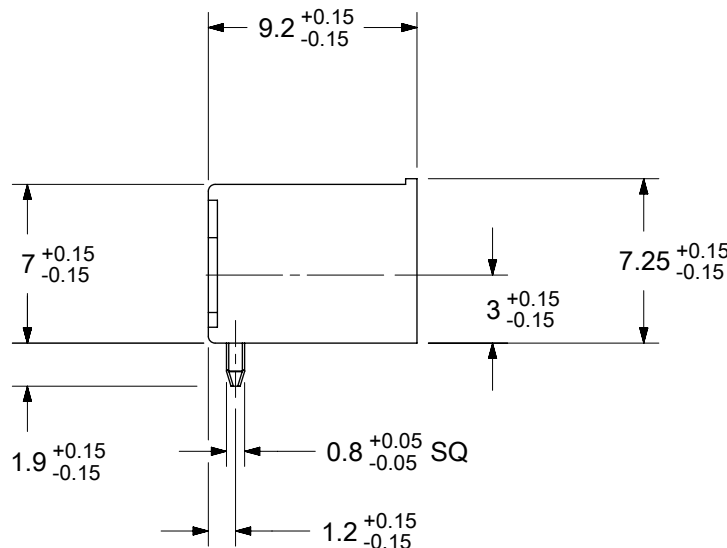
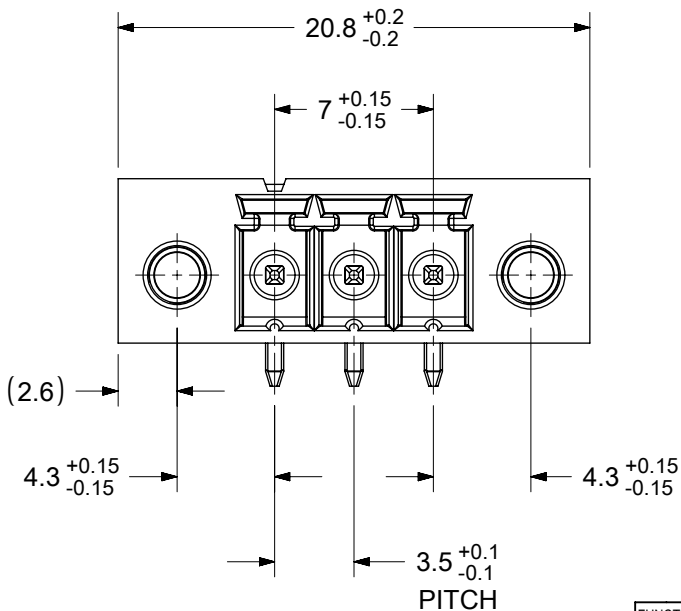


PCB LAYOUT



SPECIFICATIONS

MATERIAL:

- 1. HOUSING: PA46 GF UL94V-0
- 2. TERMINAL: TIN PLATED COPPER ALLOY

ELECTRICAL RATINGS:

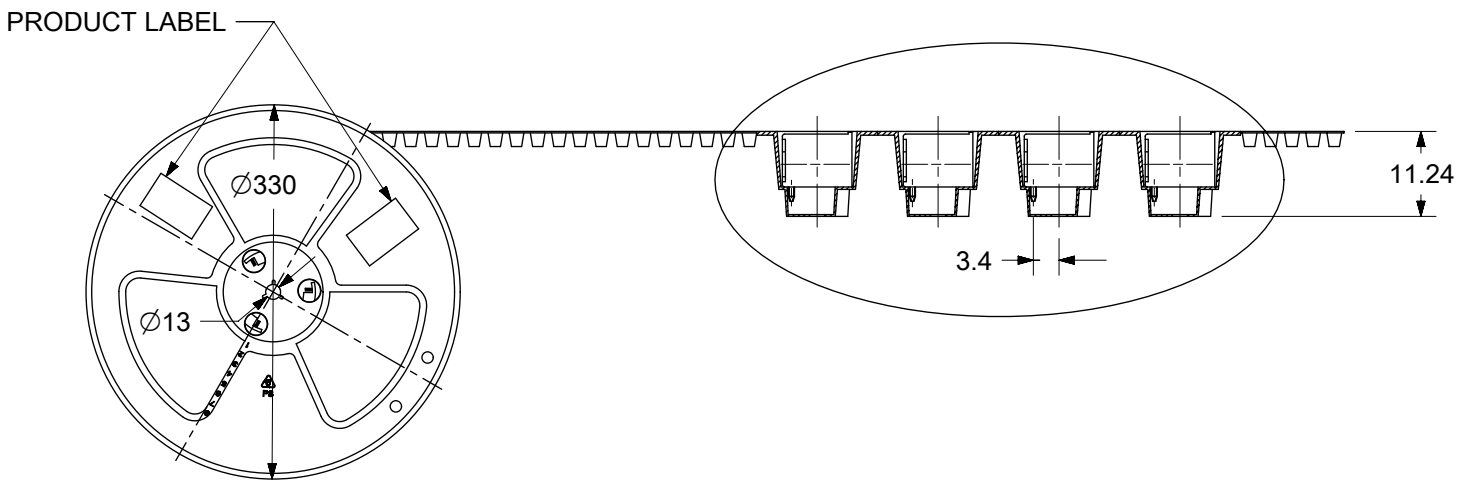
- 1. MAXIMUM VOLTAGE: 300V (PER UL)
- 2. MAXIMUM CURRENT: 11A (PER UL)

FUNCTIONAL SYMBOLS	THIS DRAWING CONTAINS INFORMATION THAT IS PROPRIETARY TO MOLEX ELECTRONIC TECHNOLOGIES, LLC AND SHOULD NOT BE USED WITHOUT WRITTEN PERMISSION										
	DIMENSION UNITS		SCALE		CURRENT REV DESC: INITIAL RELEASE						
	mm		3:1								
	GENERAL TOLERANCES (UNLESS SPECIFIED)										3.50MM PITCH HEADER, 3 POLES HORIZONTAL, HIGH TEMP HOUSING, TAPE & REEL PACKAGING
ANGULAR TOL		± °		EC NO: 645226					PRODUCT CUSTOMER DRAWING		
4 PLACES		± ---		DRWN: ABENJAMINLW 2020/07/13					DOCUMENT NUMBER		
3 PLACES		± ---		CHK'D: DACHAMMER 2020/09/10					395063003		
2 PLACES		± ---		APPR: JFMURPHY 2020/10/19					DOC TYPE		
1 PLACE		± ---		INITIAL REVISION:					PSD		
0 PLACES		± ---		DRWN: ABENJAMINLW 2020/07/13					DOC PART		
DRAFT WHERE APPLICABLE MUST REMAIN WITHIN DIMENSIONS		THIRD ANGLE PROJECTION		DRAWING		SERIES		CUSTOMER		REVISION	
				A-SIZE		39506		395063003		A	
										SHEET NUMBER	
										1 OF 2	

DOCUMENT STATUS	P1	RELEASE DATE	2020/10/19	17:06:28
-----------------	----	--------------	------------	----------

6 5 4 3 2 1

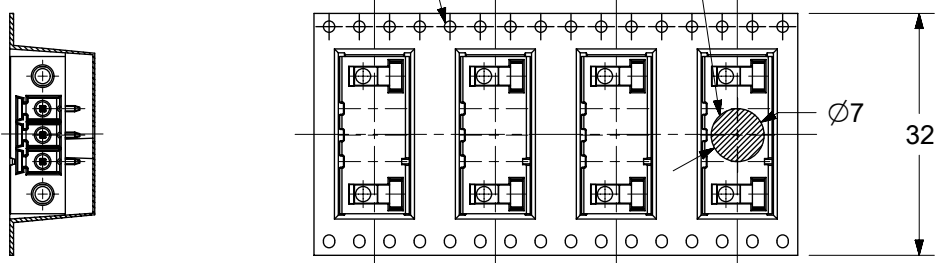
D



C

SPROCKET HOLES PICK & PLACE AREA

TAPE & REEL PACKAGING DETAILS



B

A

FUNCTIONAL SYMBOLS	THIS DRAWING CONTAINS INFORMATION THAT IS PROPRIETARY TO MOLEX ELECTRONIC TECHNOLOGIES, LLC AND SHOULD NOT BE USED WITHOUT WRITTEN PERMISSION																									
	DIMENSION UNITS	SCALE	CURRENT REV DESC: INITIAL RELEASE																							
$\frac{E}{A} = 0$	mm	1:1	EC NO: 645226 DRWN: ABENJAMINLW 2020/07/13 CHK'D: DACHAMMER 2020/09/10 APPR: JFMURPHY 2020/10/19																							
$\frac{E}{E} = 0$	GENERAL TOLERANCES (UNLESS SPECIFIED)									INITIAL REVISION: DRWN: ABENJAMINLW 2020/07/13 APPR: JFMURPHY 2020/10/19							DOCUMENT NUMBER	DOC TYPE	DOC PART	REVISION						
$\frac{E}{P} = 0$	ANGULAR TOL ± °		PRODUCT CUSTOMER DRAWING														395063003	PSD	000	A						
DIVISIONAL SYMBOLS	4 PLACES ± ---									DRAFT WHERE APPLICABLE MUST REMAIN WITHIN DIMENSIONS							MATERIAL NUMBER		CUSTOMER		SHEET NUMBER					
	3 PLACES ± ---																A-SIZE		SERIES		39506		395063003		2 OF 2	
	2 PLACES ± ---																THIRD ANGLE PROJECTION		MATERIAL NUMBER		395063003					
	1 PLACE ± ---		DRAWING		SERIES		39506																			
	0 PLACES ± ---		SERIES		MATERIAL NUMBER		395063003																			

DOCUMENT STATUS	P1	RELEASE DATE	2020/10/19	17:06:28
-----------------	----	--------------	------------	----------

FORMAT: master-ib-prod-A
REVISION: J
DATE: 2020/01/14

6 5 4 3 2 1