

088	B23	ADDED DRAFT DIRECTION SYMBOL	3-25-11
088	B22	ADDED REF DIMENSION FOR LATCH HEIGHT	3-11-11
088	B21	REMOVED THE WORD "OPTION" AT VIEW OF BACK ANGLE	3-11-11
088	B20	CHANGED FROM 175 TO 180	3-11-11
088	B19	ADDED 4X (0.805) AT BASE AND 12X (0.805) AT TIP FOR 2.8 BLADE TERMINALS	1-14-11
088	B18	CHANGED 6X TO 12X FOR THE 15 BLADE TERMINALS	1-14-11
088	B17	UPDATED CONNECTOR COLORS	1-14-11
088	B16	ADDED [G]	5-04-10
088	B15	REMOVED [G]	5-04-10
088	B14	REMOVED SHORTING BAR NOTE	5-04-10
088	B13	UPDATED NOTE 8 REMOVED REV F	5-04-10
088	B12	ADDED NOTE 9	5-04-10
088	B11	ADDED DIM 1.35±0.10±0.20 MEASURED AT 2.9 FROM [A] ALL AROUND	5-11-10
088	B10	ADDED SEE NOTE 8	5-04-10
088	B9	2.50 WAS 2.80, ADDED (280-T001)	5-11-10
088	B8	ADDED [G]	5-04-10
088	B7	ADDED [G]	5-04-10
088	B6	ADDED DIM [8.43]	5-04-10
088	B5	ADDED SEC C-C	5-04-10
088	B4	UPDATED SEC B-B	5-04-10
088	B3	ADDED DETAIL D	5-04-10
088	B2	ADDED SEC C-C	5-04-10
088	B1	ADDED DIM 0.70±0.15 ALL AROUND	5-04-10
088	B	RELEASED	5-04-10

- NOTES: UNLESS OTHERWISE SPECIFIED
- DRAFT ANGLE PERMISSIBLE 0.25° MAXIMUM.
 - ALL DIMENSIONS SHOWN IN MILLIMETERS.
 - DIMENSIONING AND TOLERANCING PER ASME Y14.5M-1994
 - RADI ON ALL CORNERS SHOWN SHARP OR ALL UNSPECIFIED RADI 0.25 EXCEPT AS NOTED.
 - STANDARD COLORS FOR POLARIZATION (SEE CHART). DEVIATION REQUIRES APPROVAL OF AUTHORIZED PERSON.
 - A FULL SHROUD ON THE MATING CONNECTOR IS REQUIRED TO INSURE THAT THE CONNECTOR-HEADER POLARIZATION FEATURES (OPTIONS A THRU H) WILL FUNCTION. THE SHROUD ALSO PREVENTS SCOOP DAMAGE TO THE HEADER PINS. REFER TO SAE/USCAR-12 CONNECTOR DESIGN GUIDE LINES FOR ADDITIONAL INFORMATION.
 - REFER TO USCAR/EWCAP PART LIST AS FOUND ON WEBSITE <http://www.jscorteam.org>

8 FOR BLADE TERMINAL DESIGN INFORMATION SEE EWCAP DWG # EWCAP-001
 9 THIS IS A 100% CAD GENERATED PART. THE CAD MATHEMATICAL DATA IS THE MASTER FOR THIS PART. FOR DIMENSIONAL OR ANY INFORMATION NOT SHOWN ON THIS DRAWING, ANALYZE THE CAD MODEL.

CONSTRUCTION BELOW THIS SURFACE IS NOT CONTROLLED BY EWCAP. NO PLASTIC FEATURES MAY EXTEND ABOVE THIS SURFACE

999-S-016-2-H01	H	YELLOW
999-S-016-2-G01	G	YELLOW
999-S-016-2-F01	F	YELLOW
999-S-016-2-E01	E	YELLOW
999-S-016-2-D01	D	BLACK
999-S-016-2-C01	C	DARK GRAY
999-S-016-2-B01	B	GREY
999-S-016-2-A01	A	BLACK
EWCAP PN	OPTION	MATING CONNECTOR COLOR



EWCAP

SCALE 3:1 DRAWN BY K. CUNNINGHAM CHECKED BY V. KOSHY DATE 1-14-11

TITLE DIRECT CONNECT INTERFACE 16 WAY (2 X 8) 1.5 MM SEALED MALE

REV. 1 OF 1 DRAWING NUMBER 999-S-016-2-Z02 DATE 1-14-11

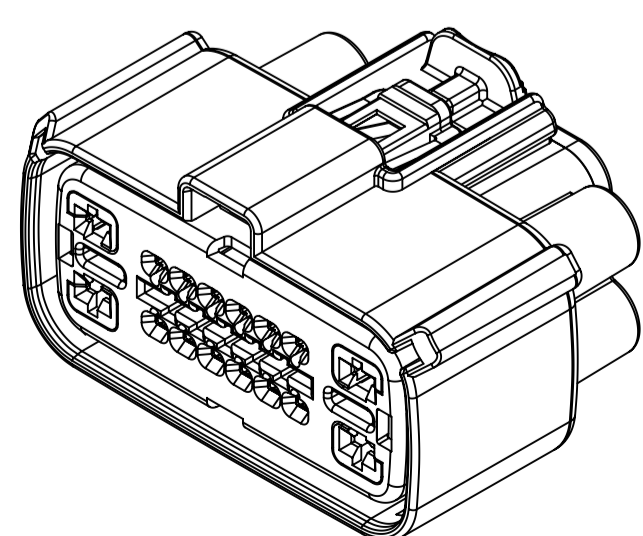
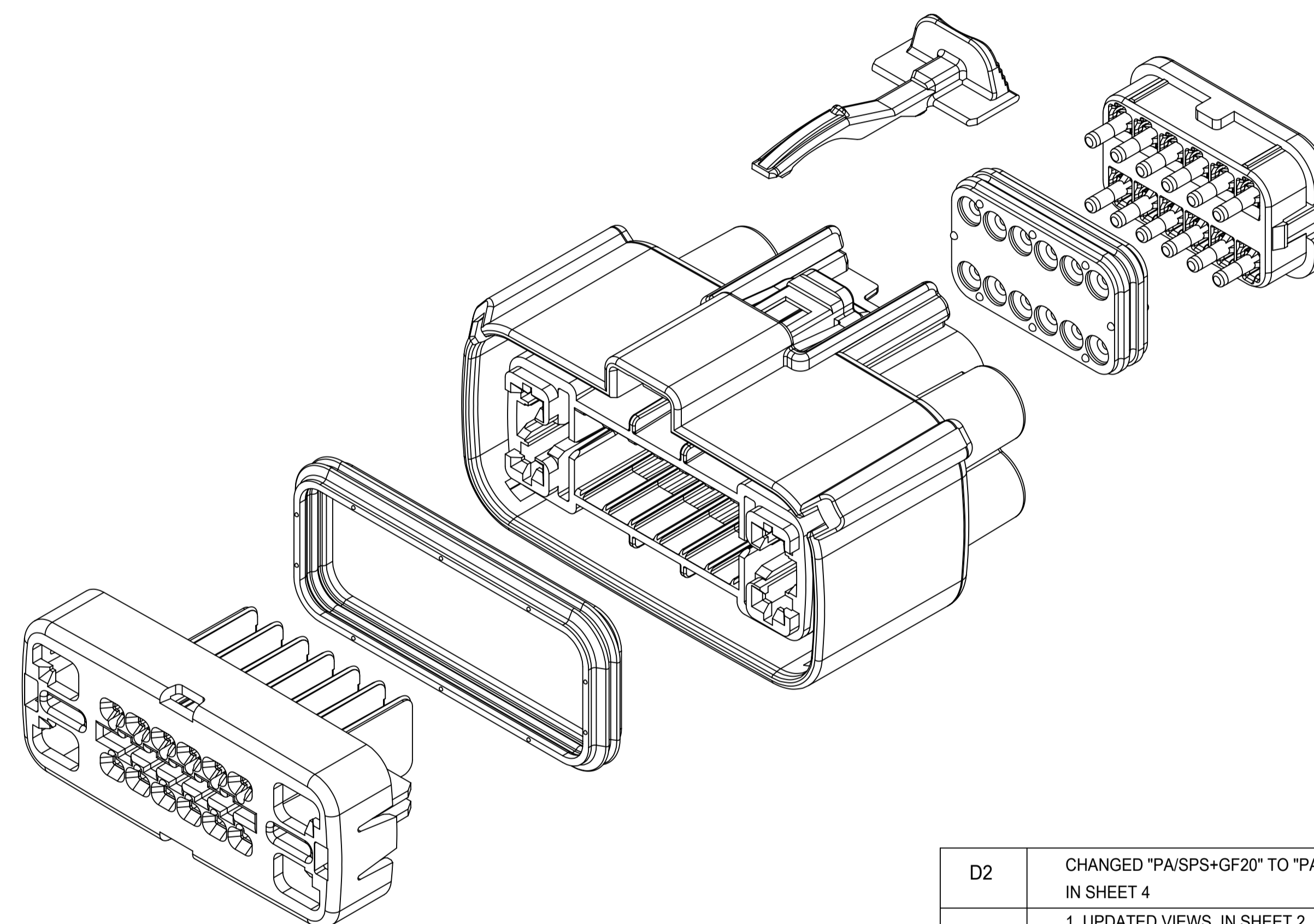
TABLE OF CONTENTS	
SHEET NO.	SHEET DESCRIPTION
1	NOTES AND BOM
2	CONFIGURATIONS
3	KEY CONFIGURATIONS
4	RECEPTACLE CONNECTOR ASSEMBLY

NOTES: VALID UNLESS OTHERWISE SPECIFIED

1. GENERAL:
- a. APPLICATION SPECIFICATION SEE: AS-33472-100
- CONTAINS: PRODUCT INTRODUCTION, PRODUCT SUMMARY, CONNECTOR ASSEMBLY, PACKAGING INFORMATION, CONNECTOR MATING, SERVICE INSTRUCTIONS, ELECTRICAL CONTINUITY CHECKING, CRIMPING, AND TROUBLESHOOTING.
 - DESIGNED TO MATE WITH DEVICE OR CONNECTOR AS SPECIFIED IN THE MATING INTERFACE/CONNECTOR DRAWINGS CHART.
 - *DENOTES DRAWINGS THAT CAN BE ACCESSED AT <http://ewcap.uscarteams.org/>.
 - ASSEMBLY SHIPPED WITH PLR IN PRE-LOCK POSITION (SEE PLR PRE-LOCK VIEW SHEET 4).
- b. PRODUCT SPECIFICATION SEE: PS-33476-000
- CONTAINS: PRODUCT INTRODUCTION, PRODUCT SUMMARY, RATINGS (CURRENT, TEMPERATURE, SEALING, AND FLAMMABILITY), TERMINALS, WIRE DIAMETER RANGE, PRODUCT VALIDATION, AND PRODUCT DEVIATIONS.
- c. PACKAGING SPECIFICATION PER MOLEX DRAWING: SEE PACKAGING CHART
- d. PARTS MUST BE IN COMPLIANCE TO MOLEX CHEMICAL SUBSTANCES FOR PRODUCTS AND PACKAGING SPECIFICATION: QEHS-699000-300
- e. DATA MUST BE SUBMITTED UNDER THE MOLEX PART NUMBER TO IMDS (COMPANY ID#13255)
2. DESIGN - MATERIALS:
- a. SEE BOM TABLE IN SD-34985-8002
3. DESIGN - GEOMETRY:
- a. THE 3-D CAD DATA IS BASIC (WITHOUT TOLERANCE) AND MASTER FOR THIS PART WITH THE EXCEPTION OF UNDERLINED DIMENSIONS. DIMENSIONAL INFORMATION NOT SHOWN ON THIS DRAWING IS DEFINED BY THE DATA FILE AT ITS LATEST REVISION.
- b. GEOMETRIC DIMENSIONS AND TOLERANCES PER ASME Y14.5M-2009
- c. EDGES AND UNDIMENSIONED DETAILS PER ISO13715
- d. CORNERS SHOWN AS SHARP TO BE R 0.2 MAX.
- e. LETTERING SHALL BE 0.15 MAX RAISED IN 0.25 MAX RECESS PAD. THIS INCLUDES RECYCLING CODE, CAVITY ID, VENDOR IDENTIFICATION, AND CUSTOMER MATERIAL NUMBER.
- f. VISUAL DEFECTS SHALL MEET COSMETIC STANDARD PS-45499-002 (Class B).
- g. LASER MARKING:
1. PART NUMBER
 2. DAY OF THE YEAR
 3. SHIFT
 4. YEAR
- FOR ADDITIONAL INFORMATION SEE SECTION 5 UNDER PROCEDURES IN ES-34735-008.

PACKAGING	
DESCRIPTION	DRAWING NO.
W/ CLIPSLOT	PK-30907-895
W/O CLIPSLOT	PK-31300-094

MATING INTERFACE/CONNECTOR DRAWINGS		
DESCRIPTION	INTERFACE DEFINITION	MOLEX INLINE
W/O SHORTING BAR	*999-S-016-2-Z02	SD-34986-8001
W/ SHORTING BAR	N/A	SD-34986-8001



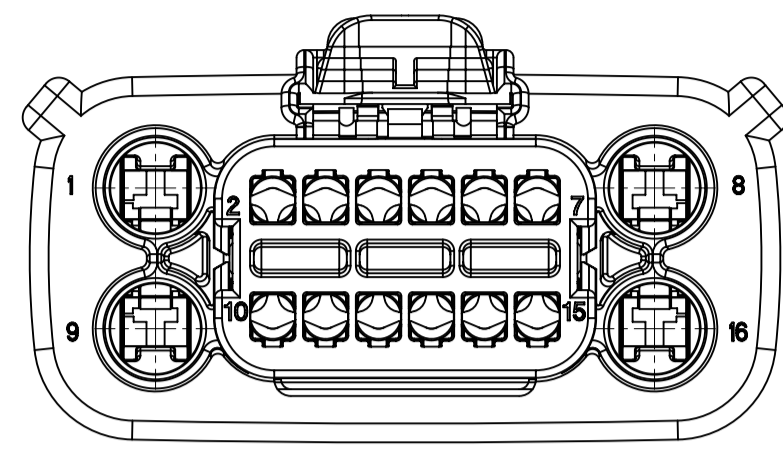
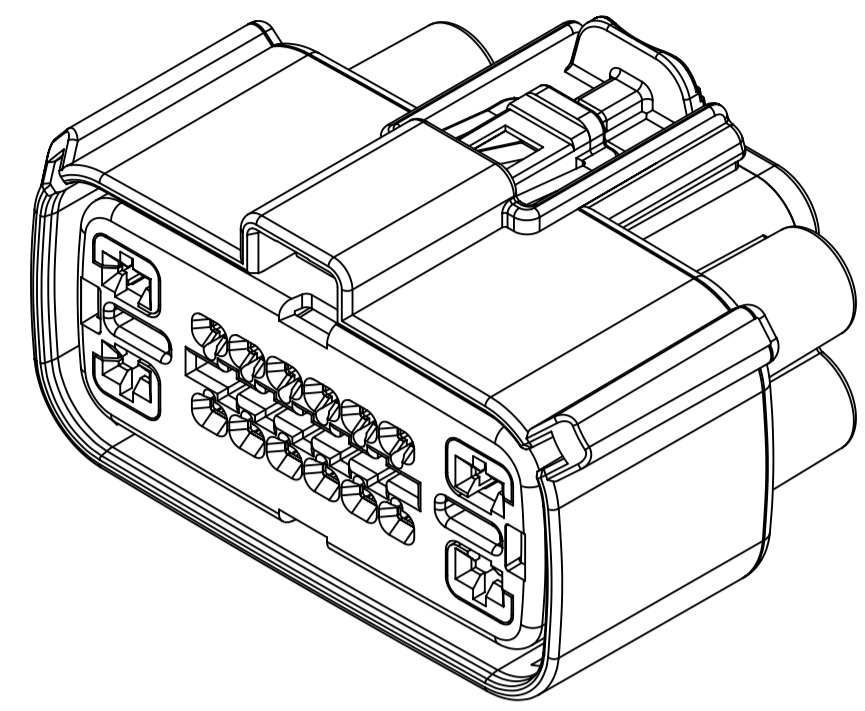
INSPECTION NUMBER LOG	
LAST NUMBER:	11
ADDED:	
REMOVED:	

D2	CHANGED "PA/SPS+GF20" TO "PA/SPS-GF20" IN SHEET 4
D1	1. UPDATED VIEWS IN SHEET 2 2. CHANGED DIM 10.98 TO 11.00, 6.61 TO 6.60, 15.00+/-0.10 TO 15.00+0.30/-0.20 IN SHEET 4
D	REMOVED BOM (REFER TO SD-34985-8002)
C	NEW P/N 34985-4026 THRU 4028
B	NEW P/N 34985-4023 THRU 4025
A2	UPDATED PACKAGING DWGS
A1	FIXED TYPO IN NOTE 1a
A	INITIAL RELEASE
REV	REV DESCRIPTION

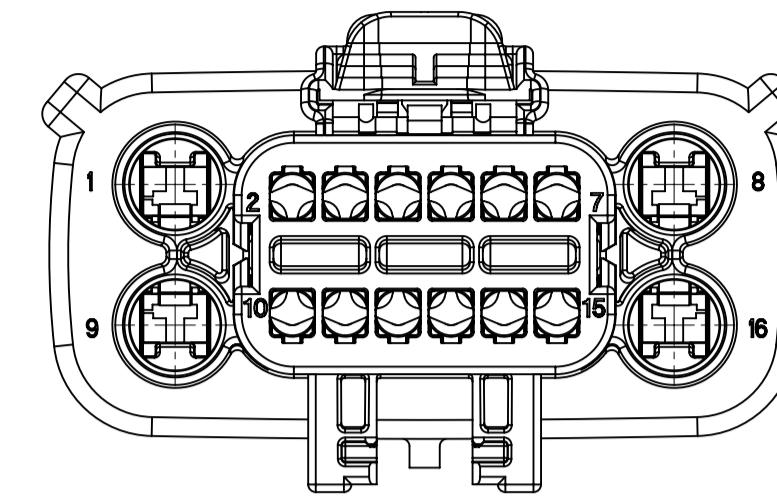
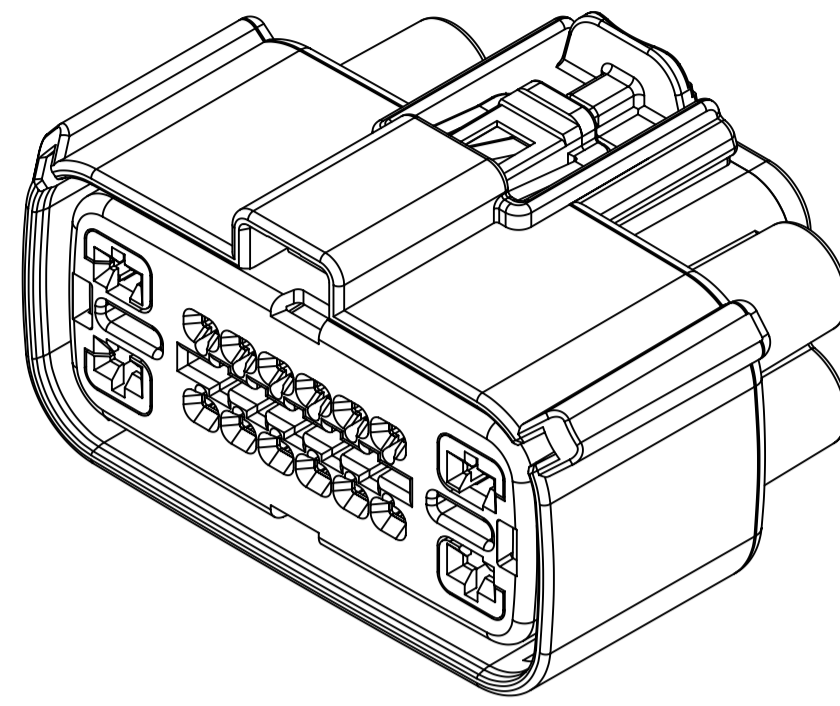
SYMBOLS	THIS DRAWING CONTAINS INFORMATION THAT IS PROPRIETARY TO MOLEX ELECTRONIC TECHNOLOGIES, LLC AND SHOULD NOT BE USED WITHOUT WRITTEN PERMISSION		CURRENT REV DESC:	
	DIMENSION UNITS	SCALE		
	mm	1.5:1		
	GENERAL TOLERANCES (UNLESS SPECIFIED)			
	ANGULAR TOL ± 3.0°			
	4 PLACES	±		
	3 PLACES	±		
	2 PLACES	± 0.1		
	1 PLACE	± 0.3		
	0 PLACES	±		
	DRAFT WHERE APPLICABLE MUST REMAIN WITHIN DIMENSIONS			
	THIRD ANGLE PROJECTION			
		DRAWING	SERIES	
		A1-SIZE	34985	
		EC NO: 619601		
		DRWN: HKLIANG	2019/07/25	
		CHK'D: MVANSLAMBROU	2019/08/02	
		APPR: MVANSLAMBROU	2019/08/02	
		INITIAL REVISION:		
		DRWN: TYE	2014/09/12	
		APPR: VKOSHY	2014/09/22	
		DOCUMENT NUMBER		
		SD-34985-8001		
		DOC TYPE	DOC PART	REVISION
		PSD	001	D2
		PRODUCT CUSTOMER DRAWING		
		DOCUMENT NUMBER		
		SD-34985-8001		
		DOC TYPE		
		PSD		
		DOC PART		
		001		
		REVISION		
		D2		
		MATERIAL NUMBER		
		CUSTOMER		
		GENERAL MARKET		
		SHEET NUMBER		
		1 OF 4		

SHEET DESCRIPTION

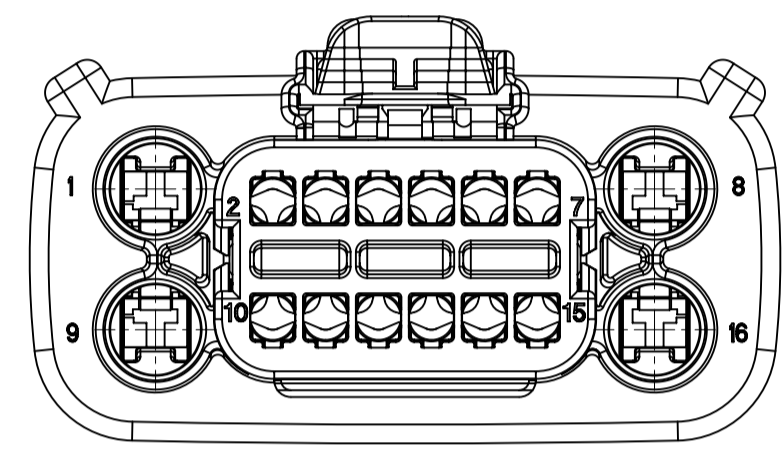
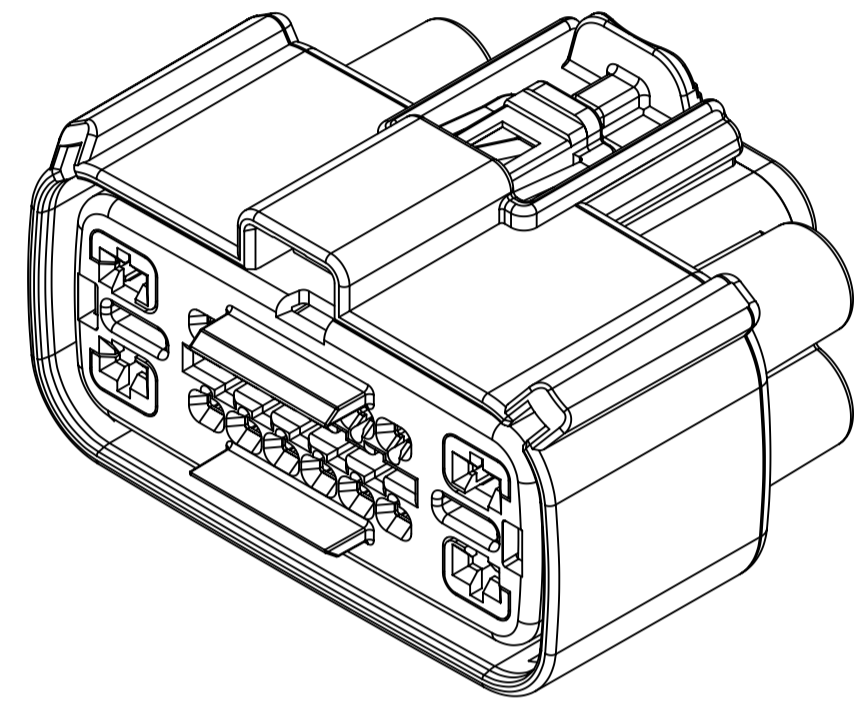
CONFIGURATIONS



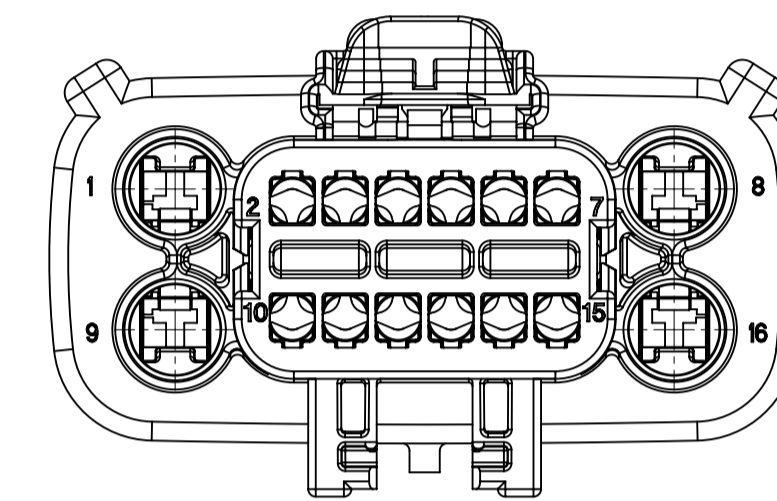
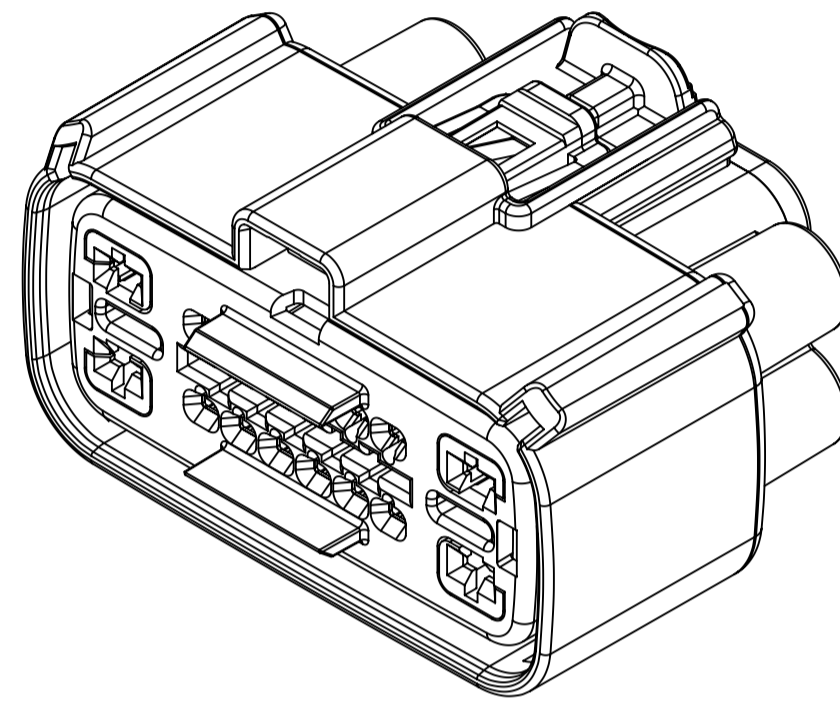
STANDARD (STD) - ALL OPEN 2.8mm CAVITIES



STANDARD (STD) - ALL OPEN 2.8mm CAVITIES WITH CLIPSLOT



SHORTING (SHRT) BAR - ALL OPEN 2.8mm CAVITIES

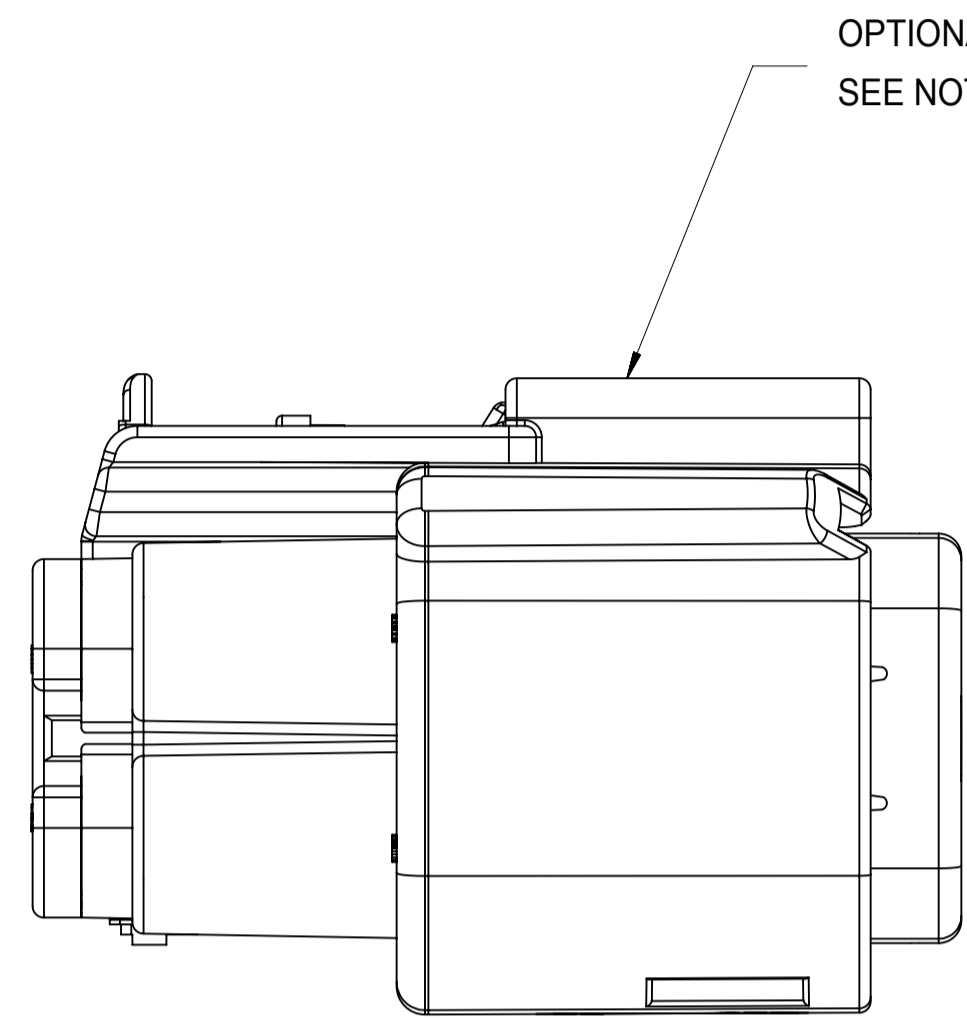


SHORTING (SHRT) BAR - ALL OPEN 2.8mm CAVITIES WITH CLIPSLOT

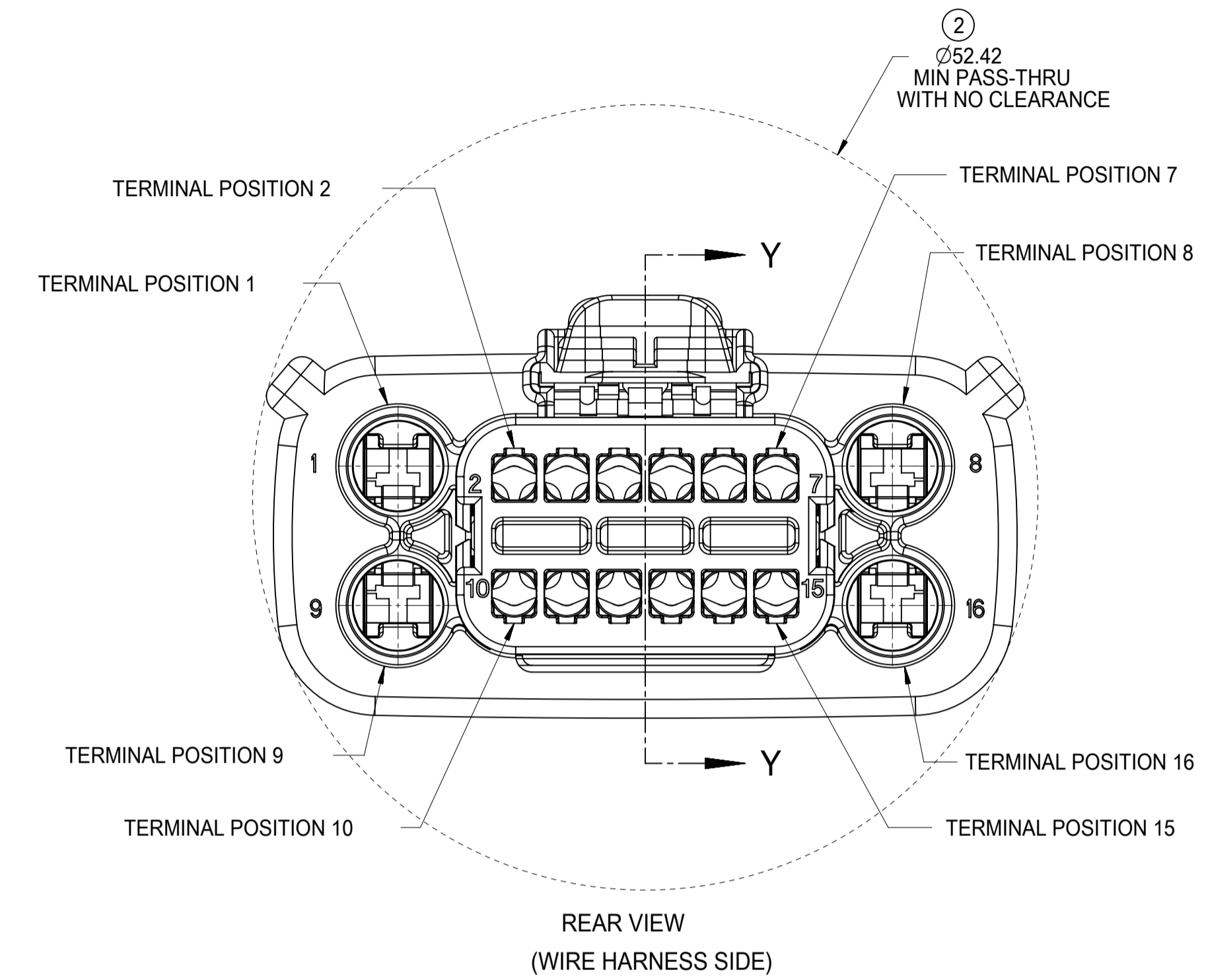
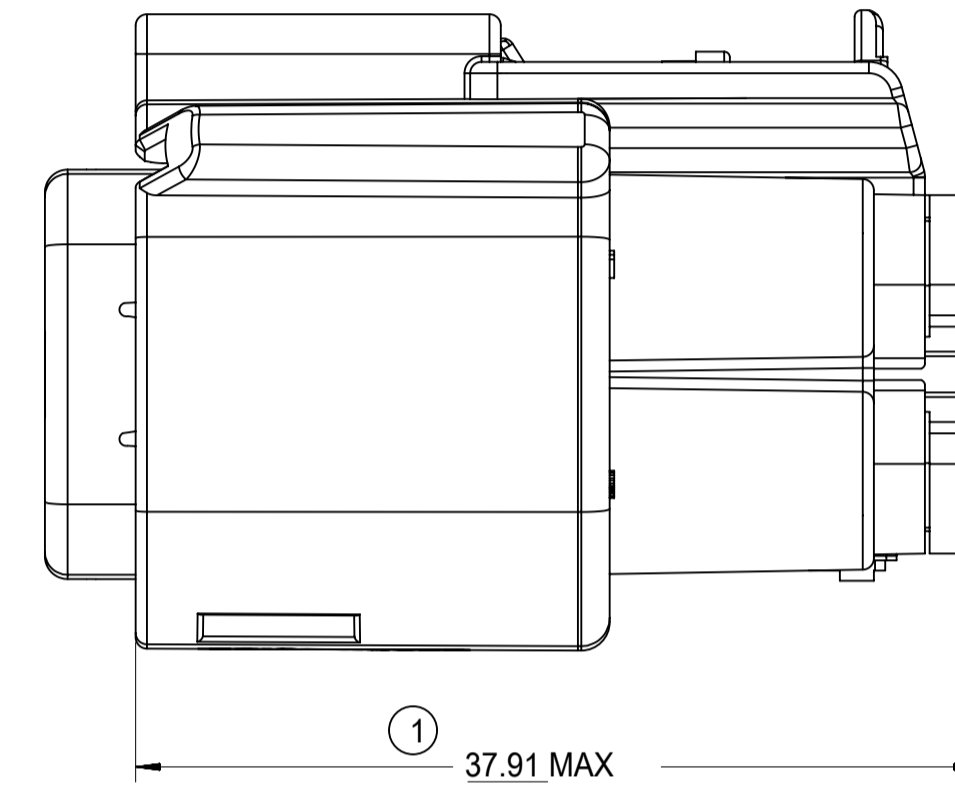
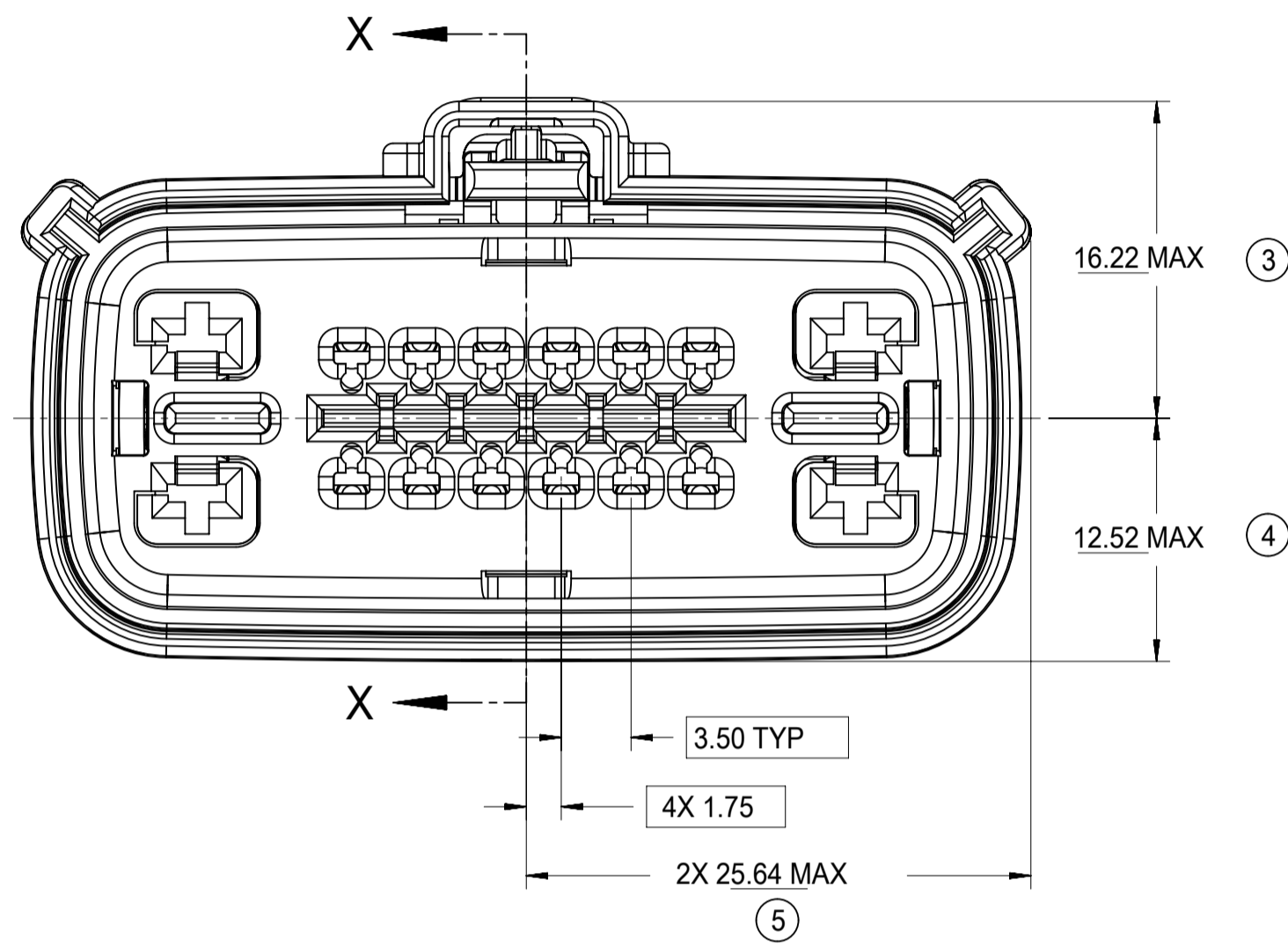
SYMBOLS		THIS DRAWING CONTAINS INFORMATION THAT IS PROPRIETARY TO MOLEX ELECTRONIC TECHNOLOGIES, LLC AND SHOULD NOT BE USED WITHOUT WRITTEN PERMISSION		CURRENT REV DESC:		molex	
	= 0	mm	2:1	EC NO: 619601		MX150 16 WAY HYBRID RECPT SEALED ASSEMBLY	
	= 0	GENERAL TOLERANCES (UNLESS SPECIFIED)		DRWN: HKLIANG 2019/07/25		PRODUCT CUSTOMER DRAWING	
	= 0	ANGULAR TOL ± 3.0°		CHK'D: MVANSLAMBROU 2019/08/02		DOCUMENT NUMBER	
	= 0	4 PLACES	±	APPR: MVANSLAMBROU 2019/08/02		SD-34985-8001	
	= 0	3 PLACES	±	INITIAL REVISION:		DOC TYPE DOC PART REVISION	
	= 0	2 PLACES	± 0.1	DRWN: TYE 2014/09/12		PSD 001 D2	
	= 0	1 PLACE	± 0.3	APPR: VKOSHY 2014/09/22		MATERIAL NUMBER	
	= 0	0 PLACES	±	THIRD ANGLE PROJECTION		CUSTOMER	
	= 0	DRAFT WHERE APPLICABLE MUST REMAIN WITHIN DIMENSIONS		DRAWING		SHEET NUMBER	
	= 0			A1-SIZE		GENERAL MARKET	
				SERIES		2 OF 4	
				34985			

SHEET DESCRIPTION

RECEPTACLE CONNECTOR ASSEMBLY



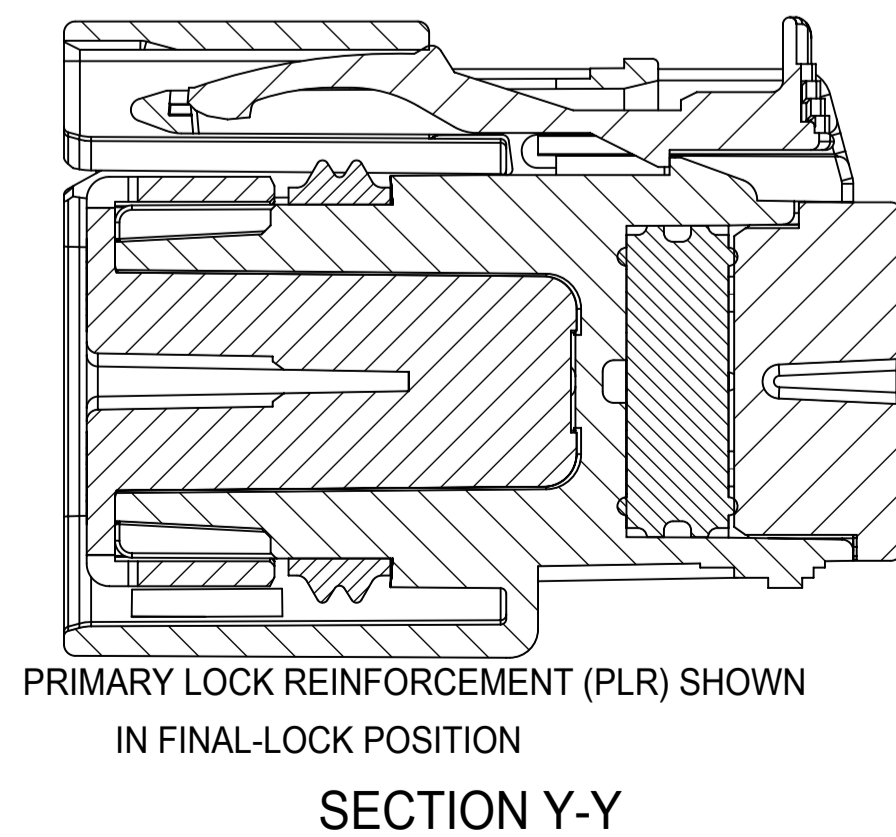
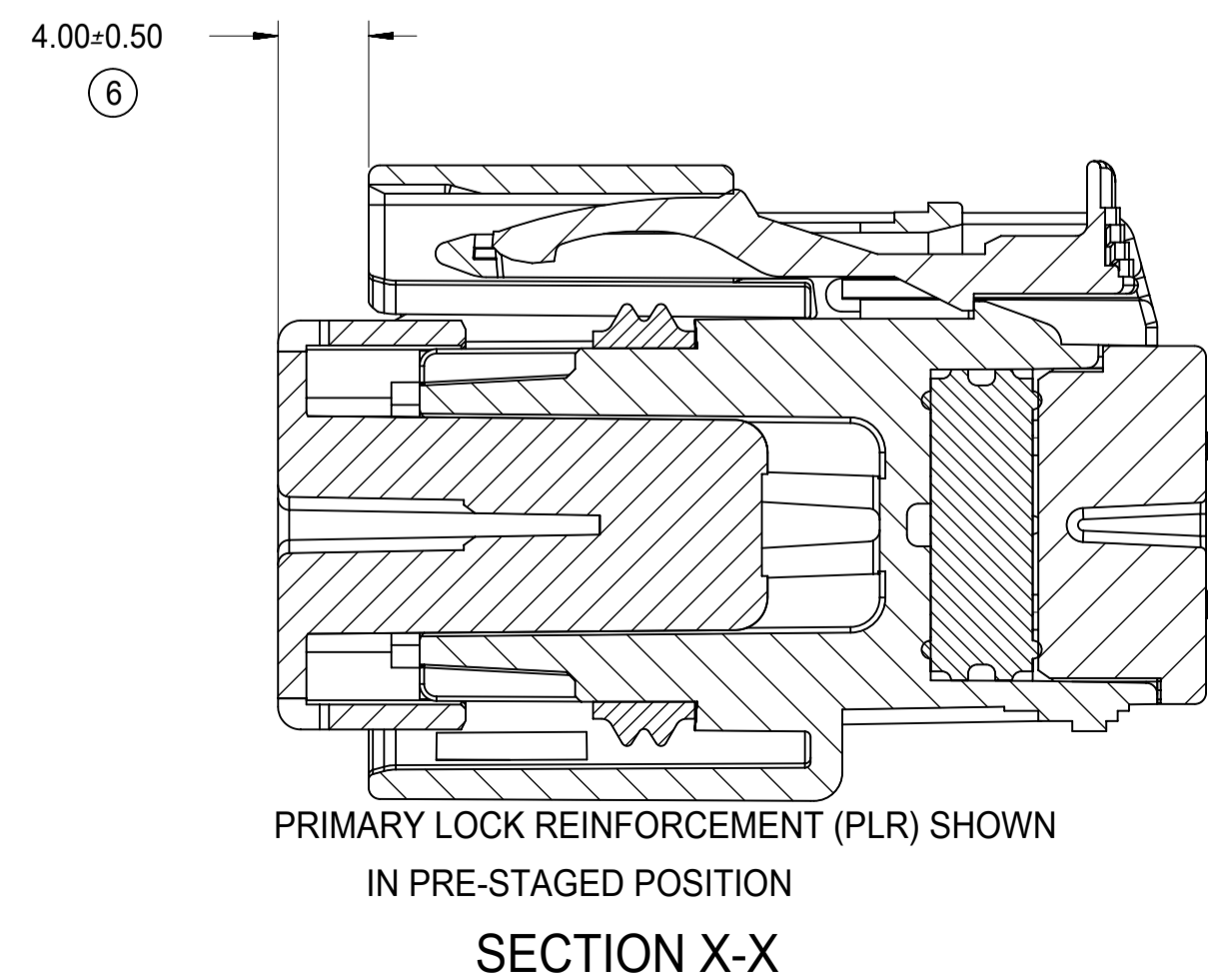
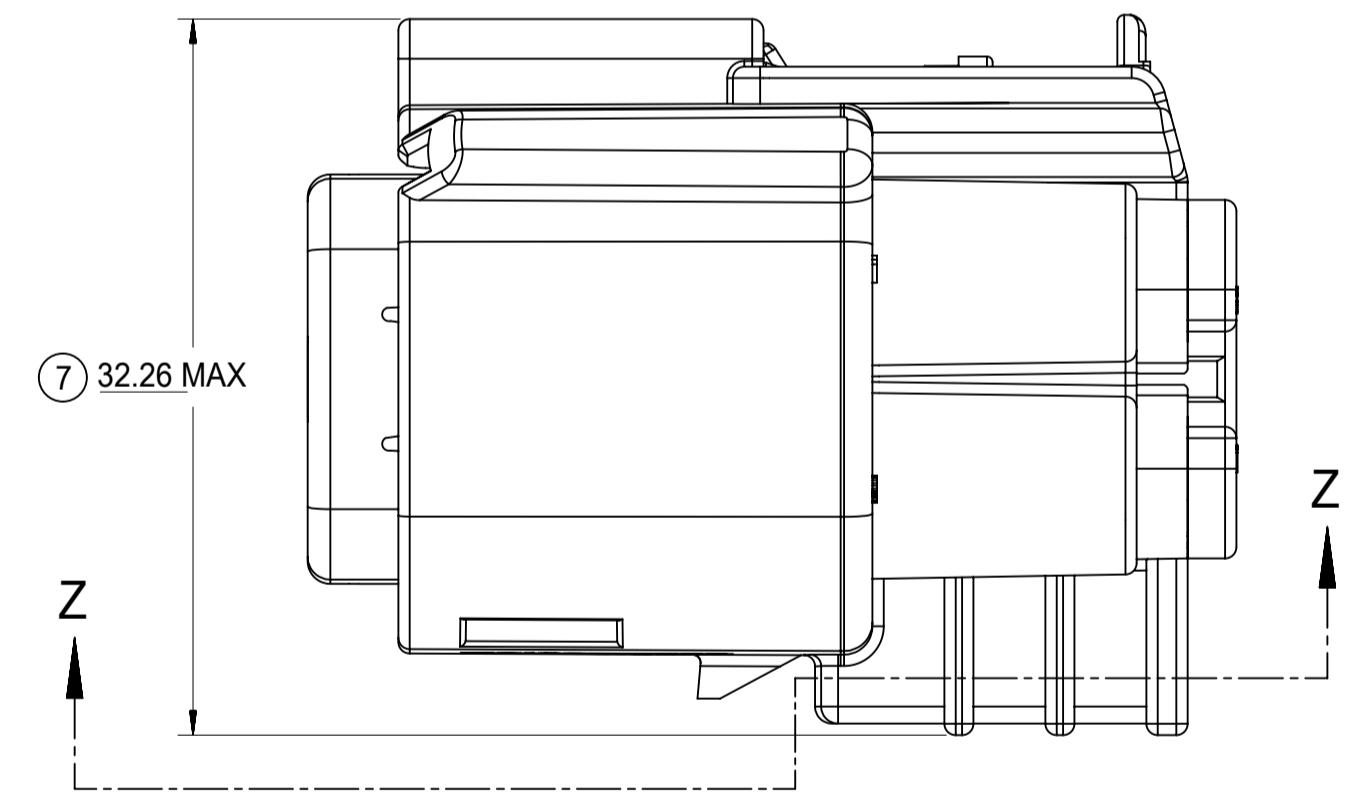
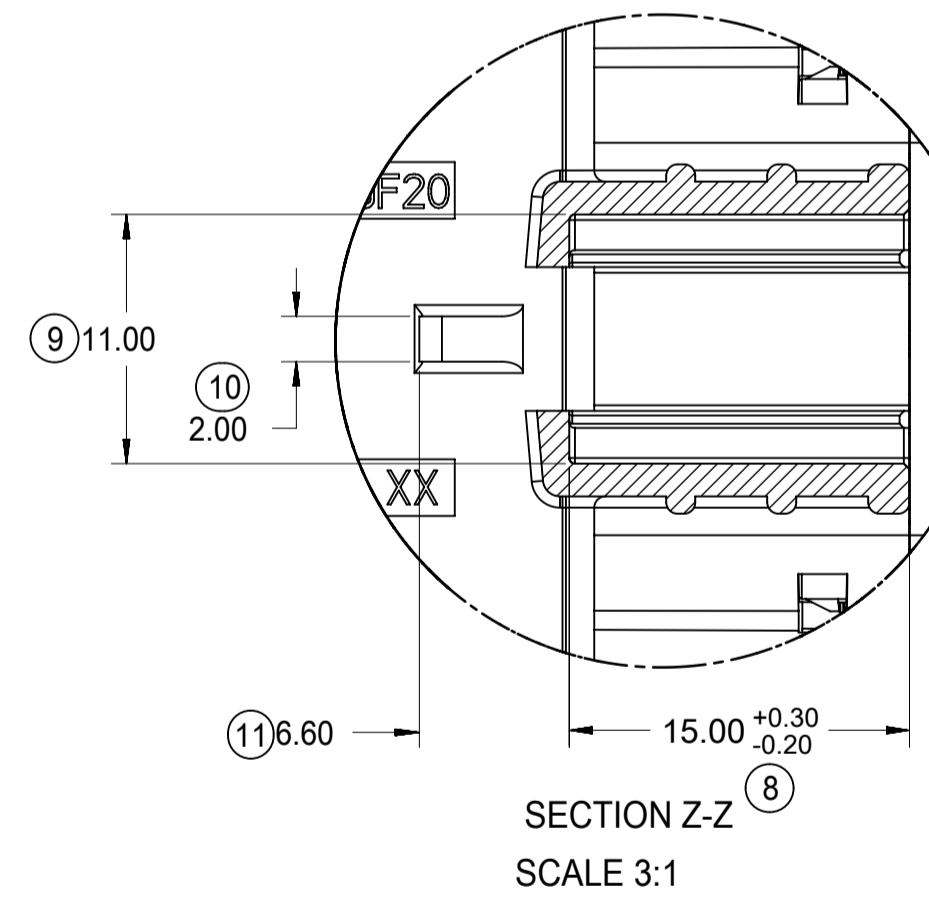
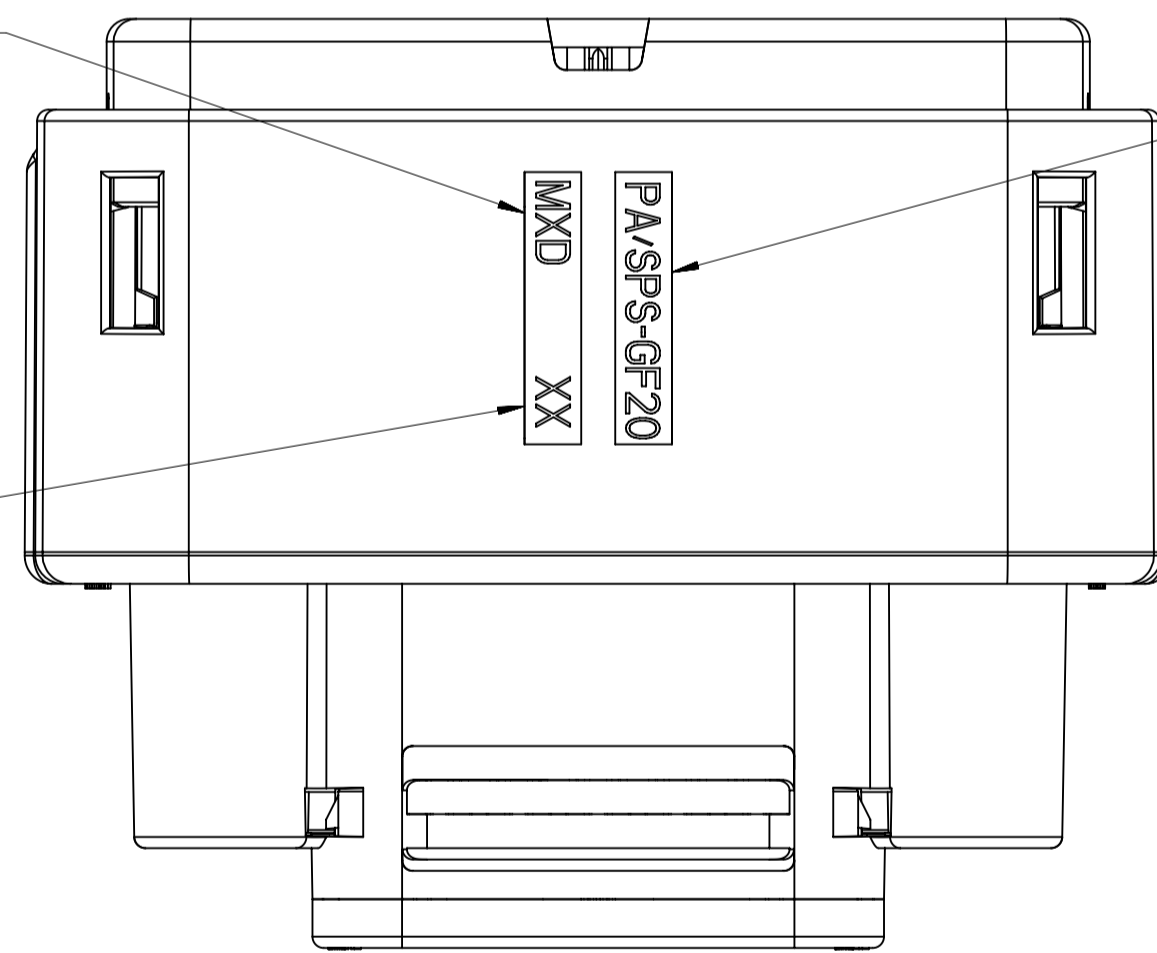
OPTIONAL LASER MARKING ON THIS SURFACE
SEE NOTE 3g.



MANUFACTURING LOCATION
CODE THIS LOCATION

RECYCLE CODE
THIS LOCATION

MOLD CAVITY I.D.
THIS LOCATION



SYMBOLS		THIS DRAWING CONTAINS INFORMATION THAT IS PROPRIETARY TO MOLEX ELECTRONIC TECHNOLOGIES, LLC AND SHOULD NOT BE USED WITHOUT WRITTEN PERMISSION		CURRENT REV DESC:					
DIMENSION	UNITS	SCALE							DOCUMENT NUMBER
▽ = 0	mm	3:1				SD-34985-8001	PSD	001	D2
▽ = 0	GENERAL TOLERANCES (UNLESS SPECIFIED)					PRODUCT CUSTOMER DRAWING			
▽ = 0	ANGULAR TOL ± 3.0°					MX150 16 WAY HYBRID RECPT SEALED ASSEMBLY			
▽ = 0	4 PLACES	±				INITIAL REVISION:			
▽ = 0	3 PLACES	±				EC NO: 619601 DRWN: HKLIANG 2019/07/25 CHK'D: MVANSLAMBROU 2019/08/02 APPR: MVANSLAMBROU 2019/08/02			
▽ = 0	2 PLACES	± 0.1				DRWN: TYE 2014/09/12 APPR: VKOSHY 2014/09/22			
▽ = 0	1 PLACE	± 0.3				MATERIAL NUMBER: 34985 CUSTOMER: GENERAL MARKET SHEET NUMBER: 4 OF 4			
▽ = 0	0 PLACES	±				DRAFT WHERE APPLICABLE MUST REMAIN WITHIN DIMENSIONS THIRD ANGLE PROJECTION DRAWING: A1-SIZE SERIES: 34985			

BOM AND PIN OUT SHEET

Table with columns for Assembly Description, Assembly Part Number, Component (Housing Key/Color, Grommet Cap, PLR, CPA, Mat Seal, Ring Seal), Blocked Terminals (1-16), Status, Comments, and Optional Attachments Sold Separately (Backshell with Ribs, Backshell without Ribs).

**MX150 16 WAY HYBRID RECEPTACLE SEALED ASSEMBLY MAT SEAL (WITHOUT CLIPSLOT, 2.8mm CAVITIES OPEN)
BOM AND PIN OUT SHEET**

ASSEMBLY DESCRIPTION	ASSEMBLY PART NUMBER	COMPONENT						BLOCKED TERMINALS																STATUS	COMMENTS	OPTIONAL ATTACHMENTS SOLD SEPERATELY	
		THE PRESENCE OF AN ABBREVIATION INDICATES THE PRESENCE OF THAT COMPONENT.						CAVITY WITH A NUMBER INDICATES BLOCKED TERMINAL POSITION CAVITY WITHOUT A NUMBER INDICATES OPEN TERMINAL POSITION																		BACKSHELL WITH RIBS	BACKSHELL WITHOUT RIBS
		HOUSING KEY/COLOR	GROMMET CAP	PLR	CPA	MAT SEAL	RING SEAL	1	2	3	4	5	6	7	8	9	10	11	12	13	14	15	16				
KEY B, LIGHT GRAY, W/O CPA	34985-4122	B-LG	GC	PLR		M	R					6	7				11					15		SALEABLE		NOT AVAILABLE	NOT AVAILABLE
KEY B, LIGHT GRAY, W/O CPA	34985-4123	B-LG	GC	PLR		M	R				4	5					11	12	13			15		SALEABLE		NOT AVAILABLE	NOT AVAILABLE
KEY B, LIGHT GRAY, W/O CPA	34985-4124	B-LG	GC	PLR		M	R					6	7			10	11		14			15		SALEABLE		NOT AVAILABLE	NOT AVAILABLE
KEY B, LIGHT GRAY, W/O CPA	34985-4125	B-LG	GC	PLR		M	R					5	6	7		10	11	12	13	14				SALEABLE		NOT AVAILABLE	NOT AVAILABLE
KEY B, LIGHT GRAY, W/O CPA	34985-4126	B-LG	GC	PLR		M	R					5	6	7			11	12	13					SALEABLE		NOT AVAILABLE	NOT AVAILABLE
KEY B, LIGHT GRAY, W/O CPA	34985-4127	B-LG	GC	PLR		M	R					5	6							14				SALEABLE		NOT AVAILABLE	NOT AVAILABLE
KEY B, LIGHT GRAY, W/O CPA	34985-4128	B-LG	GC	PLR		M	R		2		4	5	6	7		10	11	12	13	14	15			SALEABLE		NOT AVAILABLE	NOT AVAILABLE
KEY B, LIGHT GRAY, W/O CPA	34985-4129	B-LG	GC	PLR		M	R		2		4	5	6	7			11			14				SALEABLE		NOT AVAILABLE	NOT AVAILABLE
KEY B, LIGHT GRAY, W/O CPA	34985-4130	B-LG	GC	PLR		M	R		2		4	5	6							14				SALEABLE		NOT AVAILABLE	NOT AVAILABLE
KEY B, LIGHT GRAY, W/O CPA	34985-4131	B-LG	GC	PLR		M	R					5	6	7			11			14				SALEABLE		NOT AVAILABLE	NOT AVAILABLE
KEY B, LIGHT GRAY, W/O CPA	34985-4132	B-LG	GC	PLR		M	R		2		4	5	6	7		10	11	12	13	14				SALEABLE		NOT AVAILABLE	NOT AVAILABLE
KEY B, LIGHT GRAY, W/O CPA	34985-4133	B-LG	GC	PLR		M	R					5	6			10		13						SALEABLE		NOT AVAILABLE	NOT AVAILABLE
KEY B, LIGHT GRAY, W/O CPA	34985-4134	B-LG	GC	PLR		M	R							7			11			14				SALEABLE		NOT AVAILABLE	NOT AVAILABLE
KEY B, LIGHT GRAY, W/O CPA	34985-4135	B-LG	GC	PLR		M	R													14				SALEABLE		NOT AVAILABLE	NOT AVAILABLE
KEY B, LIGHT GRAY, W/O CPA	34985-4136	B-LG	GC	PLR		M	R							7		10	11	12	13	14				SALEABLE		NOT AVAILABLE	NOT AVAILABLE
KEY B, LIGHT GRAY, W/O CPA	34985-4137	B-LG	GC	PLR		M	R				4									14				SALEABLE		NOT AVAILABLE	NOT AVAILABLE
KEY B, LIGHT GRAY, W/O CPA	34985-4138	B-LG	GC	PLR		M	R				4			7			11			14				SALEABLE		NOT AVAILABLE	NOT AVAILABLE
KEY B, LIGHT GRAY, W/O CPA	34985-4139	B-LG	GC	PLR		M	R				4			7		10	11	12	13	14				SALEABLE		NOT AVAILABLE	NOT AVAILABLE
KEY B, LIGHT GRAY, W/O CPA	34985-4140	B-LG	GC	PLR		M	R								10	11	12	13					SALEABLE		NOT AVAILABLE	NOT AVAILABLE	
KEY B, LIGHT GRAY, W/O CPA	34985-4141	B-LG	GC	PLR		M	R															15		SALEABLE		NOT AVAILABLE	NOT AVAILABLE
KEY A, BLACK, W/CPA	34985-4142	A-BLK	GC	PLR	CPA	M	R		2		4			7		10		12				15		SALEABLE		NOT AVAILABLE	NOT AVAILABLE
KEY A, BLACK, W/O CPA	34985-4143	A-BLK	GC	PLR		M	R				4	5		7				12	13					SALEABLE		NOT AVAILABLE	NOT AVAILABLE
KEY A, BLACK, W/O CPA	34985-4144	A-BLK	GC	PLR		M	R				3		5	6		10			13	14				SALEABLE		NOT AVAILABLE	NOT AVAILABLE
KEY A, BLACK, W/O CPA	34985-4145	A-BLK	GC	PLR		M	R				3				10			13	14					SALEABLE		NOT AVAILABLE	NOT AVAILABLE
KEY A, BLACK, W/O CPA	34985-4146	A-BLK	GC	PLR		M	R		2			5	6							14	15			SALEABLE		NOT AVAILABLE	NOT AVAILABLE
KEY A, BLACK, W/O CPA	34985-4147	A-BLK	GC	PLR		M	R				3	4	5	6	7		10	11						SALEABLE		NOT AVAILABLE	NOT AVAILABLE
KEY A, BLACK, W/O CPA	34985-4148	A-BLK	GC	PLR		M	R		2			6			10	11	12							SALEABLE		NOT AVAILABLE	NOT AVAILABLE
KEY A, BLACK, W/O CPA	34985-4149	A-BLK	GC	PLR		M	R				4		6	7		10								SALEABLE		NOT AVAILABLE	NOT AVAILABLE
KEY A, BLACK, W/O CPA	34985-4150	A-BLK	GC	PLR		M	R				3	4		7			11	12			14	15		SALEABLE		NOT AVAILABLE	NOT AVAILABLE
KEY A, BLACK, W/O CPA	34985-4151	A-BLK	GC	PLR		M	R		2		4	5	6		10	11				14	15			SALEABLE		NOT AVAILABLE	NOT AVAILABLE
KEY A, BLACK, W/O CPA	34985-4152	A-BLK	GC	PLR		M	R		2		4	5	6							14	15			SALEABLE		NOT AVAILABLE	NOT AVAILABLE
KEY A, BLACK, W/O CPA	34985-4153	A-BLK	GC	PLR		M	R		2		4									14	15			SALEABLE		NOT AVAILABLE	NOT AVAILABLE
KEY A, BLACK, W/O CPA	34985-4154	A-BLK	GC	PLR		M	R				4	5	6		10	11				14	15			SALEABLE		NOT AVAILABLE	NOT AVAILABLE

MX150 16 WAY HYBRID RECEPTACLE SEALED ASSEMBLY MAT SEAL (WITH CLIPSLOT, 2.8mm CAVITIES OPEN) BOM AND PIN OUT SHEET

Table with columns: ASSEMBLY DESCRIPTION, ASSEMBLY PART NUMBER, COMPONENT, COMPONENT, COMPONENT, COMPONENT, COMPONENT, COMPONENT, RING SEAL, BLOCKED TERMINALS (1-16), STATUS, COMMENTS, OPTIONAL ATTACHMENTS SOLD SEPERATELY (BACKSHELL WITH RIBS, BACKSHELL WITHOUT RIBS).

MX150 16 WAY HYBRID RECEPTACLE SEALED ASSEMBLY MAT SEAL (WITH CLIPSLOT, 2.8mm CAVITIES OPEN)
BOM AND PIN OUT SHEET

Main table with columns: ASSEMBLY DESCRIPTION, ASSEMBLY PART NUMBER, COMPONENT (HOUSING KEY/COLOR, GROMMET CAP, PLR, CPA, MAT SEAL, RING SEAL), BLOCKED TERMINALS (1-16), STATUS, COMMENTS, and OPTIONAL ATTACHMENTS SOLD SEPARATELY (BACKSHELL WITH RIBS, BACKSHELL WITHOUT RIBS).

MX150 16 WAY HYBRID RECEPTACLE SEALED ASSEMBLY MAT SEAL (WITH CLIPSLOT, 2.8mm CAVITIES OPEN)
BOM AND PIN OUT SHEET

ASSEMBLY DESCRIPTION	ASSEMBLY PART NUMBER	COMPONENT						BLOCKED TERMINALS																STATUS	COMMENTS	OPTIONAL ATTACHMENTS SOLD SEPERATELY						
		THE PRESENCE OF AN ABBREVIATION INDICATES THE PRESENCE OF THAT COMPONENT.						CAVITY WITH A NUMBER INDICATES BLOCKED TERMINAL POSITION CAVITY WITHOUT A NUMBER INDICATES OPEN TERMINAL POSITION																		BACKSHELL WITH RIBS	BACKSHELL WITHOUT RIBS					
		HOUSING KEY/COLOR	GROMMET CAP	PLR	CPA	MAT SEAL	RING SEAL	1	2	3	4	5	6	7	8	9	10	11	12	13	14	15	16									
KEY A, BLACK, W/ CLIPSLOT, W/O CPA	34985-2368	A-BLK-CLIP	GC	PLR		M	R			3				5														15	SALEABLE		349521611	NOT AVAILABLE
KEY A, BLACK, W/ CLIPSLOT, W/O CPA	34985-2369	A-BLK-CLIP	GC	PLR		M	R							5	6	7															349521611	NOT AVAILABLE
KEY A, BLACK, W/ CLIPSLOT, W/O CPA	34985-2370	A-BLK-CLIP	GC	PLR		M	R				2																10				349521611	NOT AVAILABLE
KEY A, BLACK, W/ CLIPSLOT, W/O CPA	34985-2371	A-BLK-CLIP	GC	PLR		M	R							5																	349521611	NOT AVAILABLE
KEY A, BLACK, W/ CLIPSLOT, W/O CPA	34985-2372	A-BLK-CLIP	GC	PLR		M	R				2																				349521611	NOT AVAILABLE
KEY B, LIGHT GRAY, W/ CLIPSLOT, W/CPA	34985-2373	B-LG-CLIP	GC	PLR	CPA	M	R																								349521611	NOT AVAILABLE
KEY C, DARK GRAY, W/ CLIPSLOT, W/CPA	34985-2374	C-DG-CLIP	GC	PLR	CPA	M	R																								349521611	NOT AVAILABLE
KEY A, BLACK, W/ CLIPSLOT, W/O CPA	34985-2375	A-BLK-CLIP	GC	PLR		M	R																								349521611	NOT AVAILABLE
KEY A, BLACK, W/ CLIPSLOT, W/O CPA	34985-2376	A-BLK-CLIP	GC	PLR		M	R																								349521611	NOT AVAILABLE
KEY A, BLACK, W/ CLIPSLOT, W/O CPA	34985-2377	A-BLK-CLIP	GC	PLR		M	R																								349521611	NOT AVAILABLE
KEY A, BLACK, W/ CLIPSLOT, W/O CPA	34985-2378	A-BLK-CLIP	GC	PLR		M	R																								349521611	NOT AVAILABLE
KEY A, BLACK, W/ CLIPSLOT, W/O CPA	34985-2379	A-BLK-CLIP	GC	PLR		M	R																								349521611	NOT AVAILABLE
KEY A, BLACK, W/ CLIPSLOT, W/O CPA	34985-2380	A-BLK-CLIP	GC	PLR		M	R																								349521611	NOT AVAILABLE
KEY A, BLACK, W/ CLIPSLOT, W/O CPA	34985-2381	A-BLK-CLIP	GC	PLR		M	R																								349521611	NOT AVAILABLE
KEY A, BLACK, W/ CLIPSLOT, W/O CPA	34985-2382	A-BLK-CLIP	GC	PLR		M	R																								349521611	NOT AVAILABLE
KEY A, BLACK, W/ CLIPSLOT, W/O CPA	34985-2383	A-BLK-CLIP	GC	PLR		M	R																								349521611	NOT AVAILABLE
KEY A, BLACK, W/ CLIPSLOT, W/O CPA	34985-2384	A-BLK-CLIP	GC	PLR		M	R																								349521611	NOT AVAILABLE
KEY A, BLACK, W/ CLIPSLOT, W/O CPA	34985-2385	A-BLK-CLIP	GC	PLR		M	R																								349521611	NOT AVAILABLE
KEY A, BLACK, W/ CLIPSLOT, W/O CPA	34985-2386	A-BLK-CLIP	GC	PLR		M	R																								349521611	NOT AVAILABLE
KEY A, BLACK, W/ CLIPSLOT, W/O CPA	34985-2387	A-BLK-CLIP	GC	PLR		M	R																								349521611	NOT AVAILABLE
KEY A, BLACK, W/ CLIPSLOT, W/O CPA	34985-2388	A-BLK-CLIP	GC	PLR		M	R																								349521611	NOT AVAILABLE
KEY A, BLACK, W/ CLIPSLOT, W/O CPA	34985-2389	A-BLK-CLIP	GC	PLR		M	R																								349521611	NOT AVAILABLE
KEY A, BLACK, W/ CLIPSLOT, W/O CPA	34985-2390	A-BLK-CLIP	GC	PLR		M	R																								349521611	NOT AVAILABLE
KEY A, BLACK, W/ CLIPSLOT, W/O CPA	34985-2391	A-BLK-CLIP	GC	PLR		M	R																								349521611	NOT AVAILABLE
KEY A, BLACK, W/ CLIPSLOT, W/O CPA	34985-2392	A-BLK-CLIP	GC	PLR		M	R																								349521611	NOT AVAILABLE
KEY A, BLACK, W/ CLIPSLOT, W/O CPA	34985-2393	A-BLK-CLIP	GC	PLR		M	R																								349521611	NOT AVAILABLE
KEY B, LIGHT GRAY, W/ CLIPSLOT, W/O CPA	34985-2394	B-LG-CLIP	GC	PLR		M	R																								349521611	NOT AVAILABLE
KEY B, LIGHT GRAY, W/ CLIPSLOT, W/O CPA	34985-2395	B-LG-CLIP	GC	PLR		M	R																								349521611	NOT AVAILABLE
KEY A, BLACK, W/ CLIPSLOT, W/O CPA	34985-2396	A-BLK-CLIP	GC	PLR		M	R																								349521611	NOT AVAILABLE
KEY A, BLACK, W/ CLIPSLOT, W/O CPA	34985-2397	A-BLK-CLIP	GC	PLR		M	R																								349521611	NOT AVAILABLE
KEY A, BLACK, W/ CLIPSLOT, W/O CPA	34985-2398	A-BLK-CLIP	GC	PLR		M	R																								349521611	NOT AVAILABLE
KEY A, BLACK, W/ CLIPSLOT, W/O CPA	34985-2399	A-BLK-CLIP	GC	PLR		M	R																								349521611	NOT AVAILABLE
KEY A, BLACK, W/ CLIPSLOT, W/O CPA	34985-2400	A-BLK-CLIP	GC	PLR		M	R																								349521611	NOT AVAILABLE
KEY B, LIGHT GRAY, W/ CLIPSLOT, W/O CPA	34985-2401	B-LG-CLIP	GC	PLR		M	R																								349521611	NOT AVAILABLE
KEY B, LIGHT GRAY, W/ CLIPSLOT, W/O CPA	34985-2402	B-LG-CLIP	GC	PLR		M	R																								349521611	NOT AVAILABLE
KEY A, BLACK, W/ CLIPSLOT, W/O CPA	34985-2403	A-BLK-CLIP	GC	PLR		M	R																								349521611	NOT AVAILABLE
KEY A, BLACK, W/ CLIPSLOT, W/O CPA	34985-2404	A-BLK-CLIP	GC	PLR		M	R																								349521611	NOT AVAILABLE
KEY A, BLACK, W/ CLIPSLOT, W/O CPA	34985-2405	A-BLK-CLIP	GC	PLR		M	R																								349521611	NOT AVAILABLE
KEY A, BLACK, W/ CLIPSLOT, W/O CPA	34985-2406	A-BLK-CLIP	GC	PLR		M	R																								349521611	NOT AVAILABLE
KEY A, BLACK, W/ CLIPSLOT, W/O CPA	34985-2407	A-BLK-CLIP	GC	PLR		M	R																								349521611	NOT AVAILABLE
KEY A, BLACK, W/ CLIPSLOT, W/O CPA	34985-2408	A-BLK-CLIP	GC	PLR		M	R																								349521611	NOT AVAILABLE
KEY A, BLACK, W/ CLIPSLOT, W/O CPA	34985-2409	A-BLK-CLIP	GC	PLR		M	R																								349521611	NOT AVAILABLE
KEY A, BLACK, W/ CLIPSLOT, W/O CPA	34985-2410	A-BLK-CLIP	GC	PLR		M	R																								349521611	NOT AVAILABLE
KEY A, BLACK, W/ CLIPSLOT, W/O CPA	34985-2411	A-BLK-CLIP	GC	PLR		M	R																								349521611	NOT AVAILABLE
KEY A, BLACK, W/ CLIPSLOT, W/O CPA	34985-2412	A-BLK-CLIP	GC	PLR		M	R																								349521611	NOT AVAILABLE
KEY A, BLACK, W/ CLIPSLOT, W/O CPA	34985-2413	A-BLK-CLIP	GC	PLR		M	R																								349521611	NOT AVAILABLE
KEY B, LIGHT GRAY, W/ CLIPSLOT, W/O CPA	34985-2414	B-LG-CLIP	GC	PLR		M	R																								349521611	NOT AVAILABLE
KEY B, LIGHT GRAY, W/ CLIPSLOT, W/O CPA	34985-2415	B-LG-CLIP	GC	PLR		M	R																								349521611	NOT AVAILABLE
KEY A, BLACK, W/ CLIPSLOT, W/O CPA	34985-2416	A-BLK-CLIP	GC	PLR		M	R																								349521611	NOT AVAILABLE
KEY A, BLACK, W/ CLIPSLOT, W/O CPA	34985-2417	A-BLK-CLIP	GC	PLR		M	R																								349521611	NOT AVAILABLE