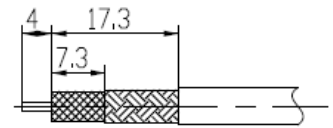
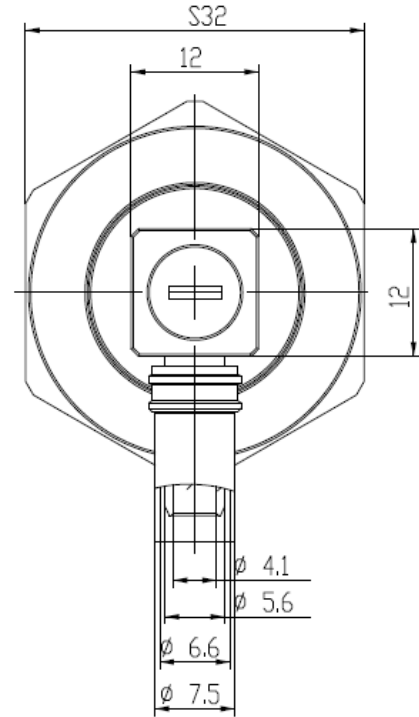
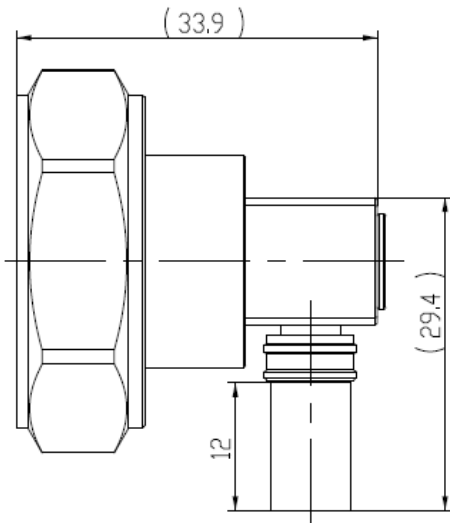


**NOTICE OF PROPRIETARY RIGHTS** THIS DOCUMENT CONTAINS CONFIDENTIAL TECHNICAL DATA, INCLUDING TRADE SECRETS, PROPRIETARY TO TIMES MICROWAVE SYSTEMS. DISCLOSURE OF THIS DATA IS EXPRESSLY CONDITIONED UPON YOUR ASSENT THAT ITS USE IS LIMITED TO USE WITHIN YOUR COMPANY ONLY. ANY OTHER USE IS STRICTLY PROHIBITED WITHOUT THE PRIOR WRITTEN CONSENT OF TIMES MICROWAVE SYSTEMS.

SYM	REVISION DESCRIPTION	DFTM	DATE	APPD	DATE
A	RELEASED FOR PRODUCTION	N. N. N	1/9/14	J. D. B.	1/10/14



Recommended cable trimming Dim's

Reference standard IEC60169-4

I. Electric Performance

Nominal Impedance( $\Omega$ ):	$50 \pm 2$
Frequency Range:	DC-3GHz
VSWR:	$\leq 1.15$
Insert Loss(dB):	$\leq 0.1$
Insulation resistance (M $\Omega$ )	$\geq 10000$
Proof voltage (V)	1500
Conductor resistance (m $\Omega$ )	outer conductor <0.2 inner conductor <0.8

II. Mechanical Performance

Nut torque	25N.m
(Nut)Whirl pull	1000N
Tensile force(cable-connector)	310N
Torsion(cable-connector)	0.2N.m

III. Material and plating :

Component	Material	Plating
Inner conductor	Brass	Ag5 $\mu$ m
Outer conductor	Brass	Copper-tin-zinc 2 $\mu$ m
Tube	copper	Copper-tin-zinc 2 $\mu$ m
Nut	Brass	Copper-tin-zinc 2 $\mu$ m
Gasket	Silicone rubber	
Insulator	PTFE	

IV. Environment

Temperature	-40 $^{\circ}$ C~+85 $^{\circ}$ C
Weather standard	IEC 60068 40 / 085/ 21
Thermal shock	IEC 60068 -2-14-Na
Vibration	IEC 60068-2-6-Fc
Shock	IEC 60068-2-27
Waterproofing standard	IP67

V. Assembly: inner conductor soldered and outer conductor crimped

VI. ROHS Compliant.

MATERIAL:	UNLESS OTHERWISE SPECIFIED		DFTM. N. N. N	TIMES MICROWAVE SYSTEMS			
	ALL DIMENSIONS ARE IN mm		DATE 1/9/14				
USED ON: O-O			CHKD. J. D. B.	<b>TC-240-716M-RA-D</b> CONNECTOR, 90° 7-16 Male for LMR-240			
			DATE 1/10/14				
			APPD. J. D. B.				
SCALE: ~	DWG. SIZE A	DO NOT SCALE DRAWING	CODE IDENT 68999	DATE 1/10/14	SHEET 1 of 1	SD3190-2983	REV A