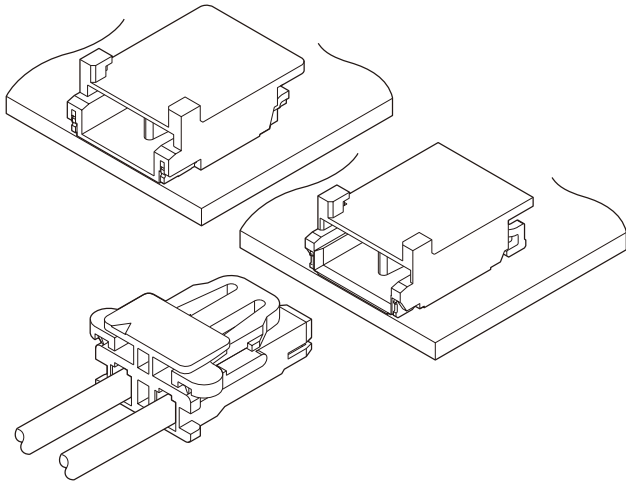


BD CONNECTOR (3.5mm)

3.5mm pitch/Disconnectable Crimp style connectors



Board-to-wire connector with high withstanding voltage, used for power supply of LCD (Liquid Crystal Display) back light.

- Secure locking mechanism
- High withstand voltage design
- Low profile
- Compatibility

Specifications

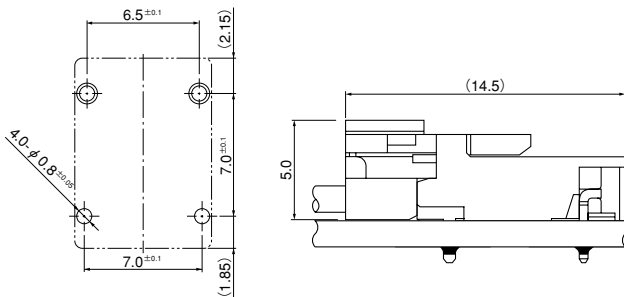
- Current rating: 1.0A AC, DC (AWG #24)
- Voltage rating: 1,400V AC, DC
- Temperature range: -25°C to +85°C
(including temperature rise in applying electrical current)
- Contact resistance: Initial value/10m Ω max.
After environmental testing/20m Ω max.
- Insulation resistance: 1,000M Ω min.
- Withstanding voltage: 3,000V AC/minute
- Applicable wire: AWG #28 to #24
- * Compliant with RoHS.
- * Refer to "General Instruction and Notice when using Terminals and Connectors" at the end of this catalog.
- * Contact JST for details.

Standards

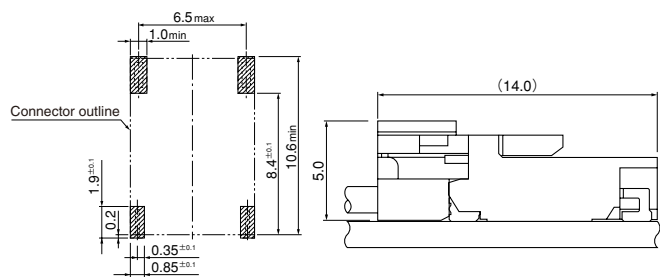
Recognized E60389

PC board layout (viewed from component side) and Assembly layout

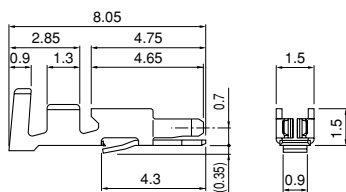
Through-hole type



SMT type



Contact



Model No.	Applicable wire		Insulation O.D. (mm)	Q'ty / reel
	mm ²	AWG#		
SBHS-002T-P0.5A	0.08~0.22	28~24	0.9~1.7	10,000

Material and Finish

Phosphor bronze, tin-plated (reflow treatment)

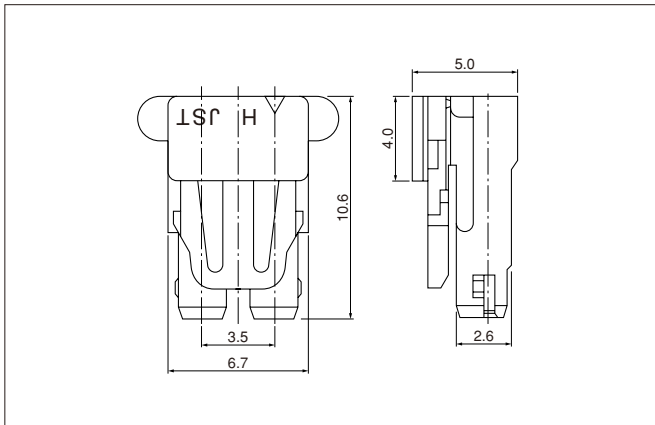
RoHS compliance

Note: Contact JST for SBHS-002T-P0.5.

Contact	Crimping machine	Applicator		
		Crimp applicator	Dies	Crimp applicator with dies
SBHS-002T-P0.5A	AP-K2N	MKS-L	MK/SBHS-002-05	APLMK SBHS002-05

BD CONNECTOR (3.5mm)

Housing

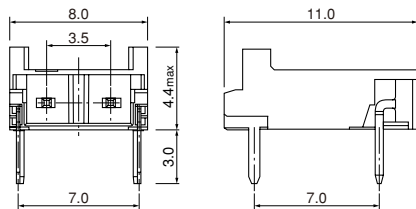


Circuits	Model No.	Q'ty / bag
2	BDMR-02VS-2	1,000
Material		
PA 66, UL94V-0, natural (white)		

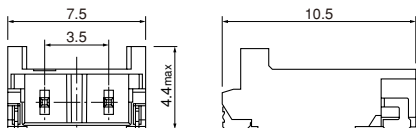
RoHS compliance

Header

Through-hole type



SMT type



Through-hole type

Circuits	Model No.	Q'ty / box
2	S02-BDS-3-B	1,000
Material and Finish		
Press pin: Brass, Copper-undercoated, tin-plated (reflow treatment)		
Wafer: Heat resisting resin, UL94V-0, natural (ivory)		
Solder tab: Brass, Copper-undercoated, tin-plated (reflow treatment)		

RoHS compliance This product displays (LF)(SN) on a label.

SMT type

Circuits	Model No.	Q'ty / reel
2	SM02-BDS-3-TB	1,000
Material and Finish		
Post: Brass, Copper-undercoated, tin-plated (reflow treatment)		
Wafer: Heat resisting resin, UL94V-0, natural (ivory)		
Solder tab: Brass, Copper-undercoated, tin-plated (reflow treatment)		

RoHS compliance This product displays (LF)(SN) on a label.

Note: The product listed above is supplied on embossed tape.