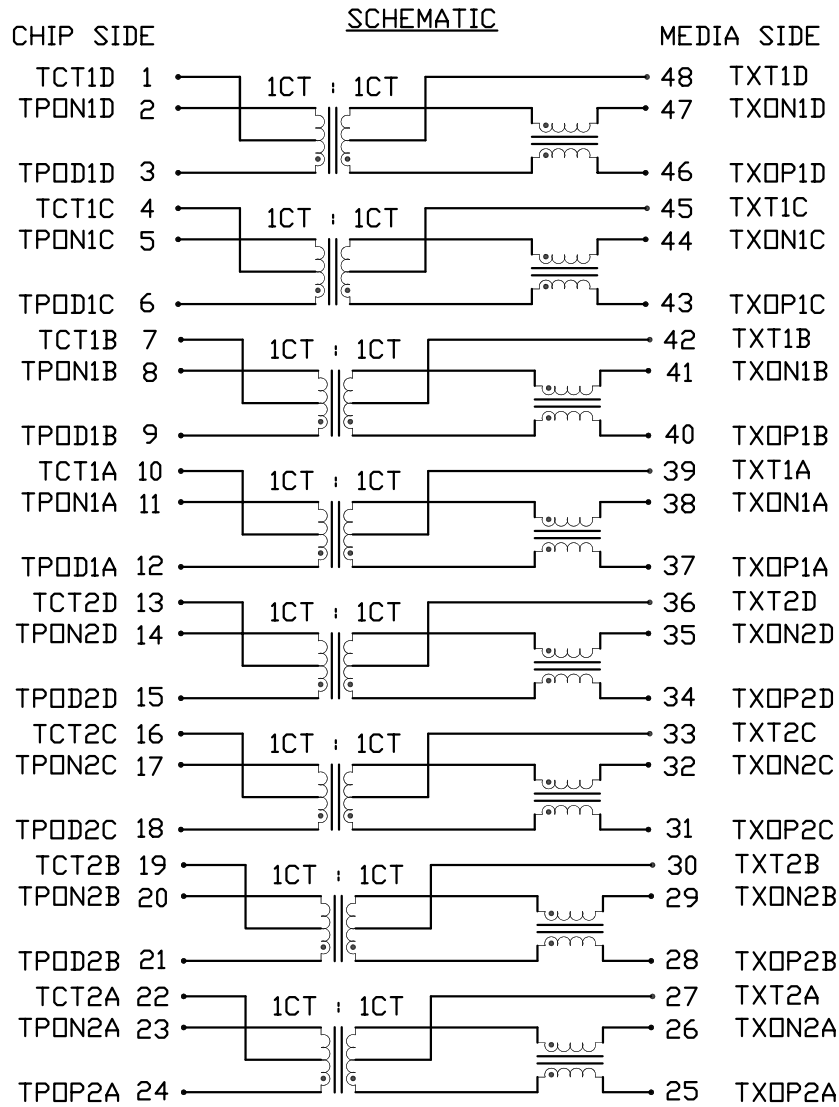


THE INFORMATION CONTAINED HEREIN IS CONSIDERED "PROPRIETARY" TO BEL FUSE INC. AND SHALL NOT BE COPIED, REPRODUCED OR DISCLOSED WITHOUT THE WRITTEN APPROVAL OF BEL FUSE INC.



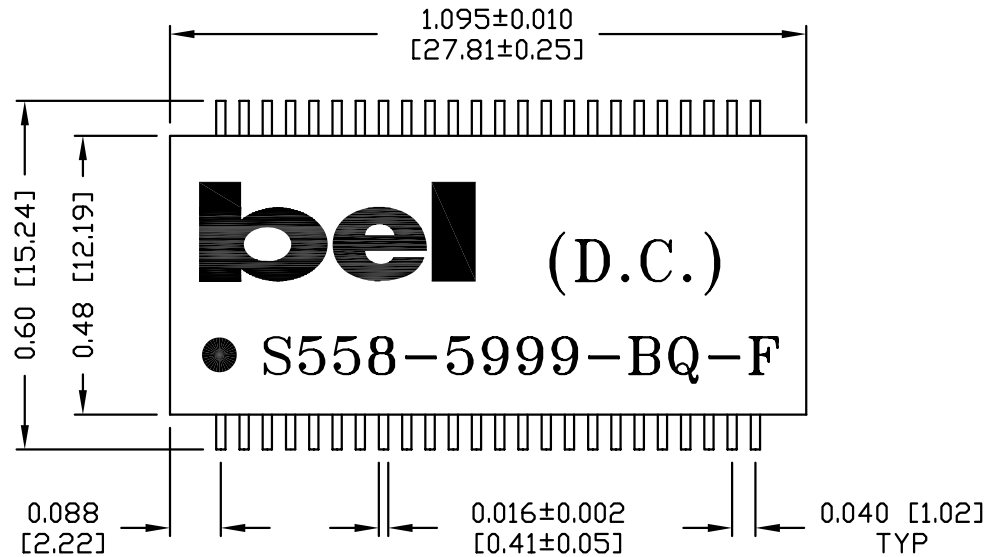
ELECTRICAL CHARACTERISTICS @ 25°C

URNS RATIO	CHIP SIDE : MEDIA SIDE	1CT : 1CT
POLARITY	PER DOT CONVENTION	
QCL	350μH MIN @100kHz, 100mV WITH 8mA DC BIAS PIN (46-47), (43-44), (40-41), (37-38) PIN (34-35), (31-32), (28-29), (25-26)	
INSERTION LOSS	0.9dB MAX @1-100MHz 1.5dB MAX @125MHz	
RETURN LOSS	18dB MIN @0.5 TO 40MHz MEASURED UNDER 100Ω ENVIRONMENT	
COMMON TO COMMON MODE REJECTION	30dB MIN @0.3 TO 100MHz	
CROSSTALK	33-20LOG(f/100MHz)dB MIN @0.3 TO 100MHz	
HIPOT	PER HAND-WORK-03	
OPERATING TEMPERATURE	-40°C TO +85°C	

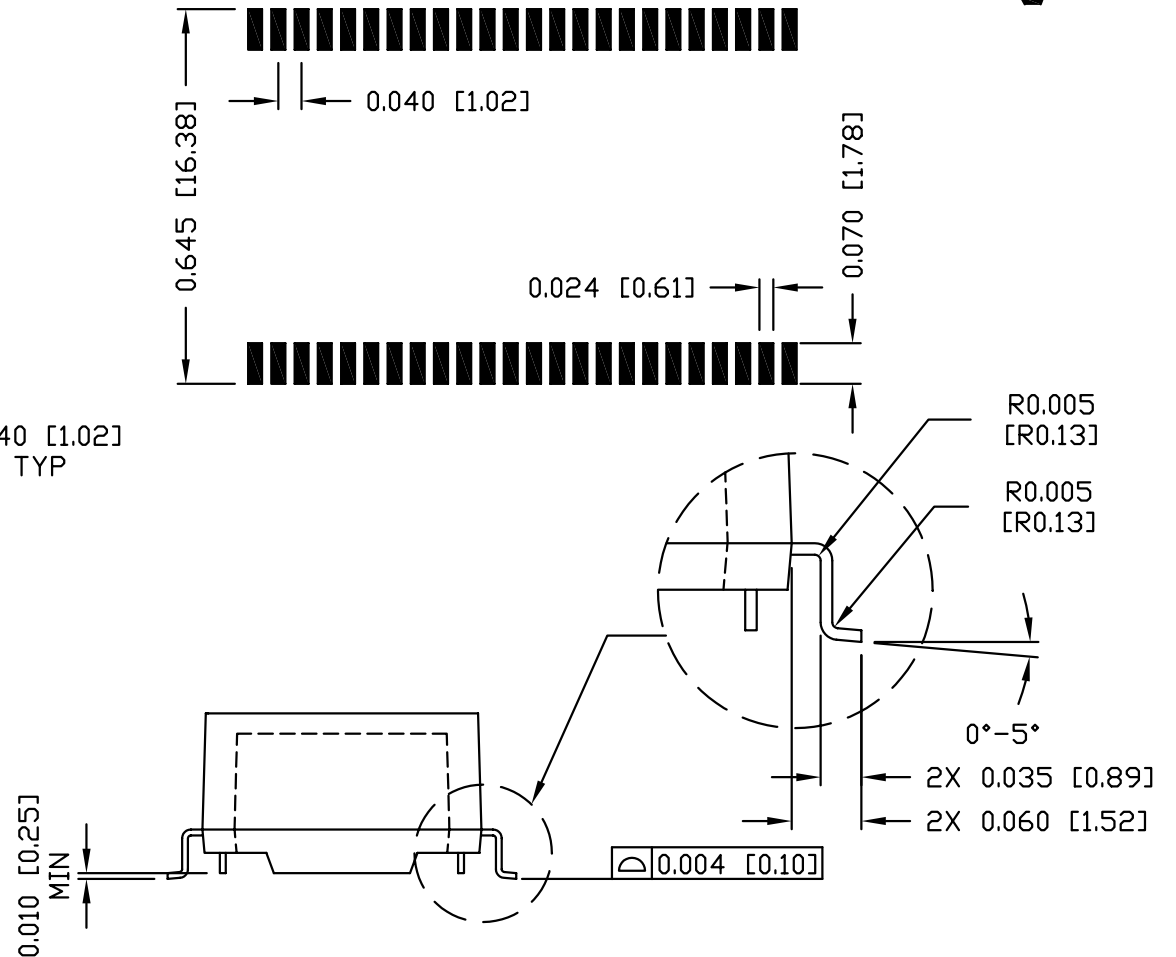
ORIGINATED BY	DATE	TITLE	PART NO. / DRAWING NO.	STANDARD DIM.	[ ] METRIC DIM. AS REFERENCE	
CH CHAN	07-01-10	ELECTRICAL SPECIFICATION	X5585999BQ-F	TOL. IN INCH	UNIT : INCH [mm]	REV. : A
DRAWN BY	DATE		FILE NAME	.X	SCALE : N/A	SIZE : A4
HY ZHANG	07-01-10		X5585999BQFA.DWG	.XX		PAGE : 2
				.XXX		



THE INFORMATION CONTAINED HEREIN IS CONSIDERED "PROPRIETARY" TO BEL FUSE INC. AND SHALL NOT BE COPIED, REPRODUCED OR DISCLOSED WITHOUT THE WRITTEN APPROVAL OF BEL FUSE INC.



SUGGESTED PCB PAD LAYOUT



NOTES:

- STANDARD MARKING REFER TO DOC. HAND-WORK-04.
- PACKAGE CODE: "QVVS001".

ORIGINATED BY	DATE	TITLE	PART NO. / DRAWING NO.	STANDARD DIM. TOL. IN INCH	[ ] METRIC DIM. AS REFERENCE	 COMPONENTS FOR A CONNECTED PLANET	
LAWRENCE TSANG	07-01-10	MECHANICAL OUTLINE	X5585999BQ-F	.X	UNIT : INCH [mm]		REV. : A
DRAWN BY	DATE	S558-5999-BQ-F	FILE NAME	.XX	SCALE : N/A		SIZE : A4
HY ZHANG	07-01-10	X5585999BQFA.DWG		.XXX			PAGE : 3