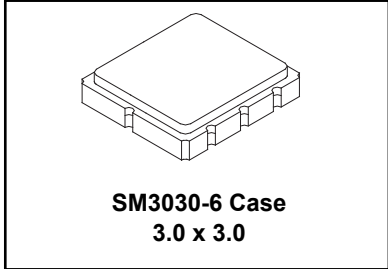


RF3446E

**433.92 MHz
SAW Filter**



- **Ideal Front-End Filter for European Wireless Receivers**
- **Low-Loss, Coupled-Resonator Quartz Design**
- **Simple External Impedance Matching**
- **Complies with Directive 2002/95/EC (RoHS)**
- **Moisture Sensitivity Level: 1**
- **AEC-Q200 Qualified**

The RF3446E is a low-loss, compact, and economical surface-acoustic-wave (SAW) filter designed to provide front-end selectivity in 433.92 MHz receivers. Receiver designs using this filter include superhet with 10.7 MHz or 500 kHz IF, direct conversion and superregen. Typical applications of these receivers are wireless remote-control and security devices operating in Europe under ETSI I-ETS 300 220.

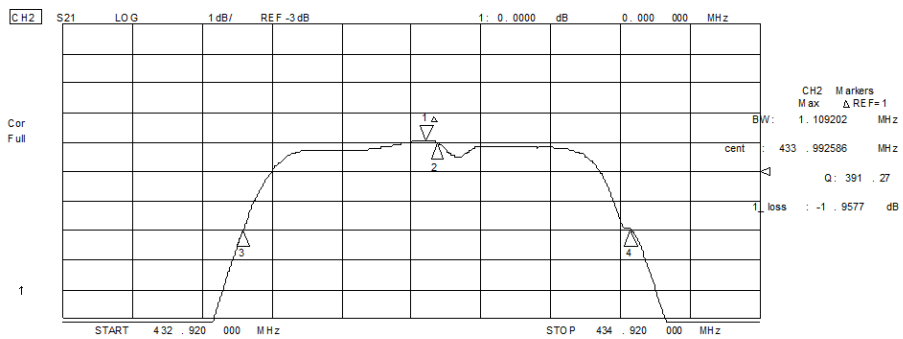
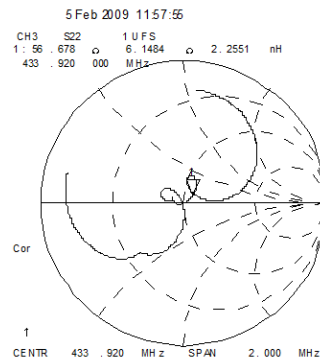
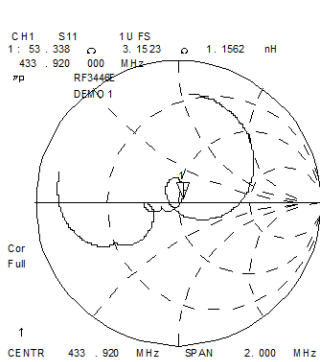
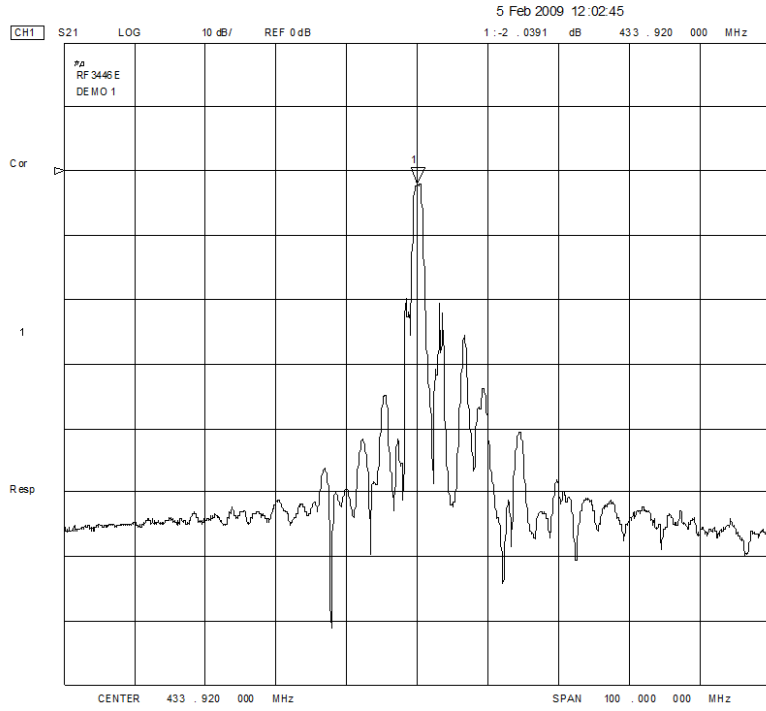
Characteristic	Sym	Notes	Minimum	Typical	Maximum	Units
Center Frequency at 25°C Absolute Frequency	f_c			433.92		MHz
Passband Ripple 433.52 to 434.32 MHz				0.5	1.2	dB
Insertion Loss (433.760 - 434.080)	IL_{MIN}			2.0	3.0	dB
3 dB Bandwidth	BW_3		960	1080	1150	kHz
Rejection Attenuation: (relative to IL_{min})	10 - 418 MHz		47	50		dB
	418 - 423.7 MHz		44	47		
	423.7 - 430 MHz		33	36		
	430 - 432.5 MHz		16	19		
	436 - 438.5 MHz		18	21		
	438.5 - 446 MHz		21	24		
	446 - 452 MHz		38	41		
452 - 1000 MHz		45	48			
Turnover Temperature	T_o		10	25	40	°C
Temperature Freq. Temp. Coefficient	FTC			0.032		ppm/°C ²
Frequency Aging Absolute Value during the First Year	$ fA $			≤10		ppm/yr
Impedance @ f_c	Input $Z_{IN} = R_{IN} C_{IN}$	Z_{IN}	130 Ω 2.5 pF			
	Output $Z_{OUT} = R_{OUT} C_{OUT}$	Z_{OUT}	134.5 Ω 2.48 pF			
Lid Symbolization (Y=year WW=week S=shift)			776, <u>YWWS</u>			
Standard Reel Quantity	Reel Size 7 Inch		500 Pieces/Reel			
	Reel Size 13 Inch		3000 Pieces/Reel			



CAUTION: Electrostatic Sensitive Device. Observe precautions for handling.

NOTES:

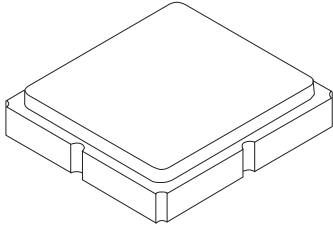
1. The design, manufacturing process, and specifications of this device are subject to change.
2. US or International patents may apply.
3. RoHS compliant from the first date of manufacture.



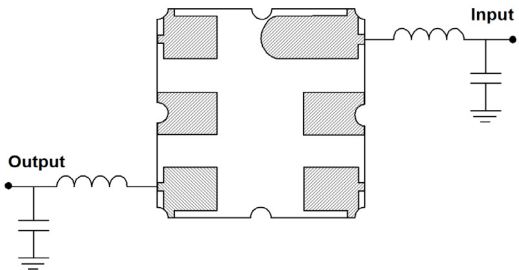
Rating	Value	Units
Input Power Level	10	dBm
DC Voltage	12	VDC
Storage Temperature	-55 to +125	°C
Operable Temperature Range	-40 to +105	°C
Soldering Temperature (10 seconds/5 cycles Max..)	260	°C

Case and PCB Footprint Dimensions

Dimension	mm			Inches		
	Min	Nom	Max	Min	Nom	Max
A	2.87	3.00	3.13	0.113	0.118	0.123
B	2.87	3.00	3.13	0.113	0.118	0.123
C	1.12	1.25	1.38	0.044	0.049	0.054
D	0.77	0.90	1.03	0.030	0.035	0.040
E	2.67	2.80	2.93	0.105	0.110	0.115
F	1.47	1.60	1.73	0.058	0.063	0.068
G	0.72	0.85	0.98	0.028	0.033	0.038
H	1.37	1.50	1.63	0.054	0.059	0.064
I	0.47	0.60	0.73	0.019	0.024	0.029
J	1.17	1.30	1.43	0.046	0.051	0.056
K		3.20			0.126	
L		1.70			0.067	
M		1.05			0.041	
N		0.81			0.032	
O		0.38			0.015	



Electrical Connections

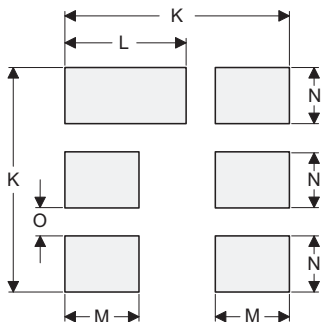


Pin	Connection
1	Input
2	Input Return
3	Ground
4	Output
5	Output Return
6	Ground

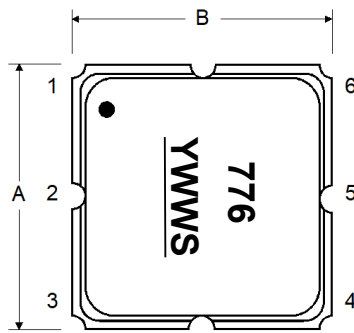
Case Materials

Materials	
Solder Pad Plating	0.3 to 1.0 μm Gold over 1.27 to 8.89 μm Nickel
Lid Plating	2.0 to 3.0 μm Nickel
Body	Al_2O_3 Ceramic

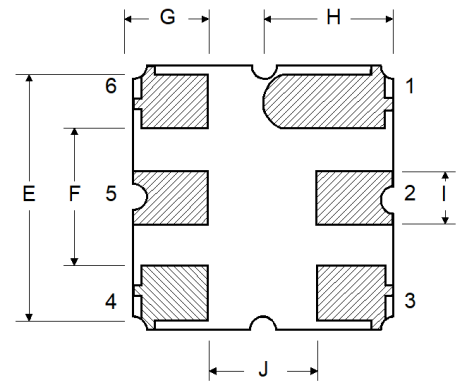
PCB Footprint Top View



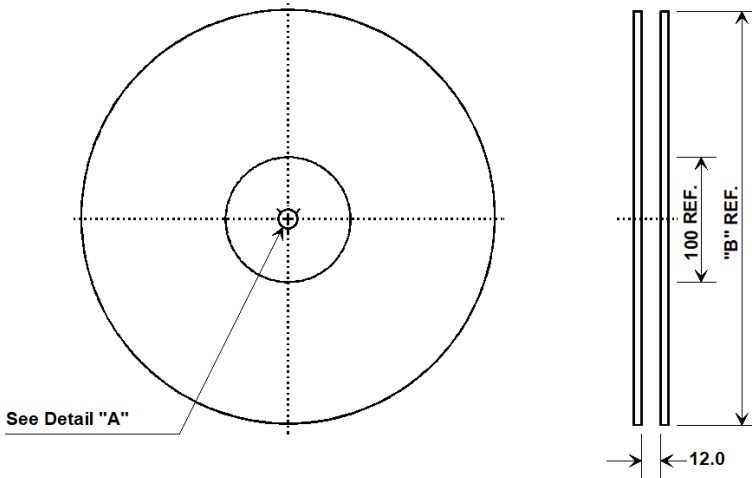
TOP VIEW



BOTTOM VIEW



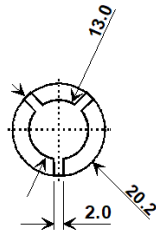
Tape and Reel Specifications



Tape and Reel Standard per ANSI/EIA-481

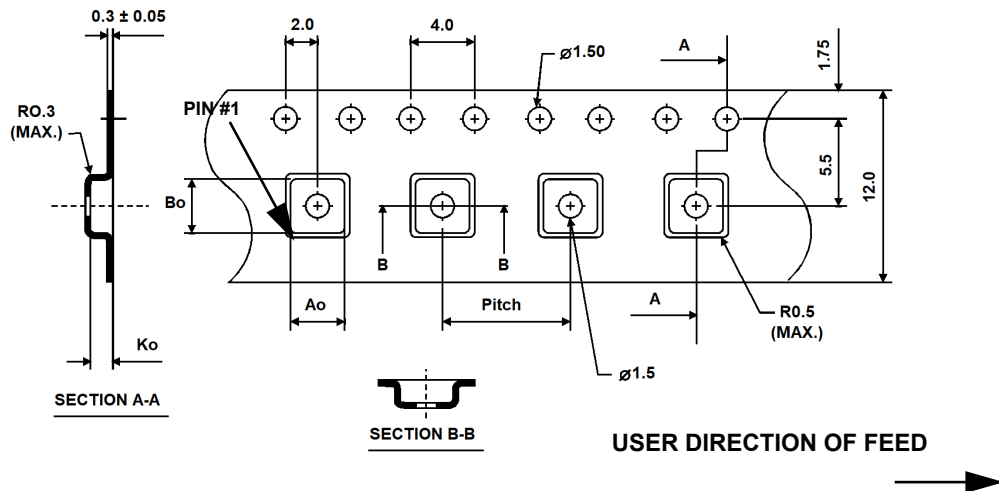
"B"		Quantity Per Reel
Inches	millimeters	
7	178	500
13	330	3000

See Detail "A"



COMPONENT ORIENTATION and DIMENSIONS

Carrier Tape Dimensions	
Ao	3.35 mm
Bo	3.35 mm
Ko	1.40 mm
Pitch	8.0 mm
W	12.0 mm



Recommended Reflow Profile

1. Preheating shall be fixed at 150~180°C for 60~90 seconds.
2. Ascending time to preheating temperature 150°C shall be 30 seconds min.
3. Heating shall be fixed at 220°C for 50~80 seconds and at 260°C +0/-5°C peak (10 seconds).
4. Time: 5 times maximum.

