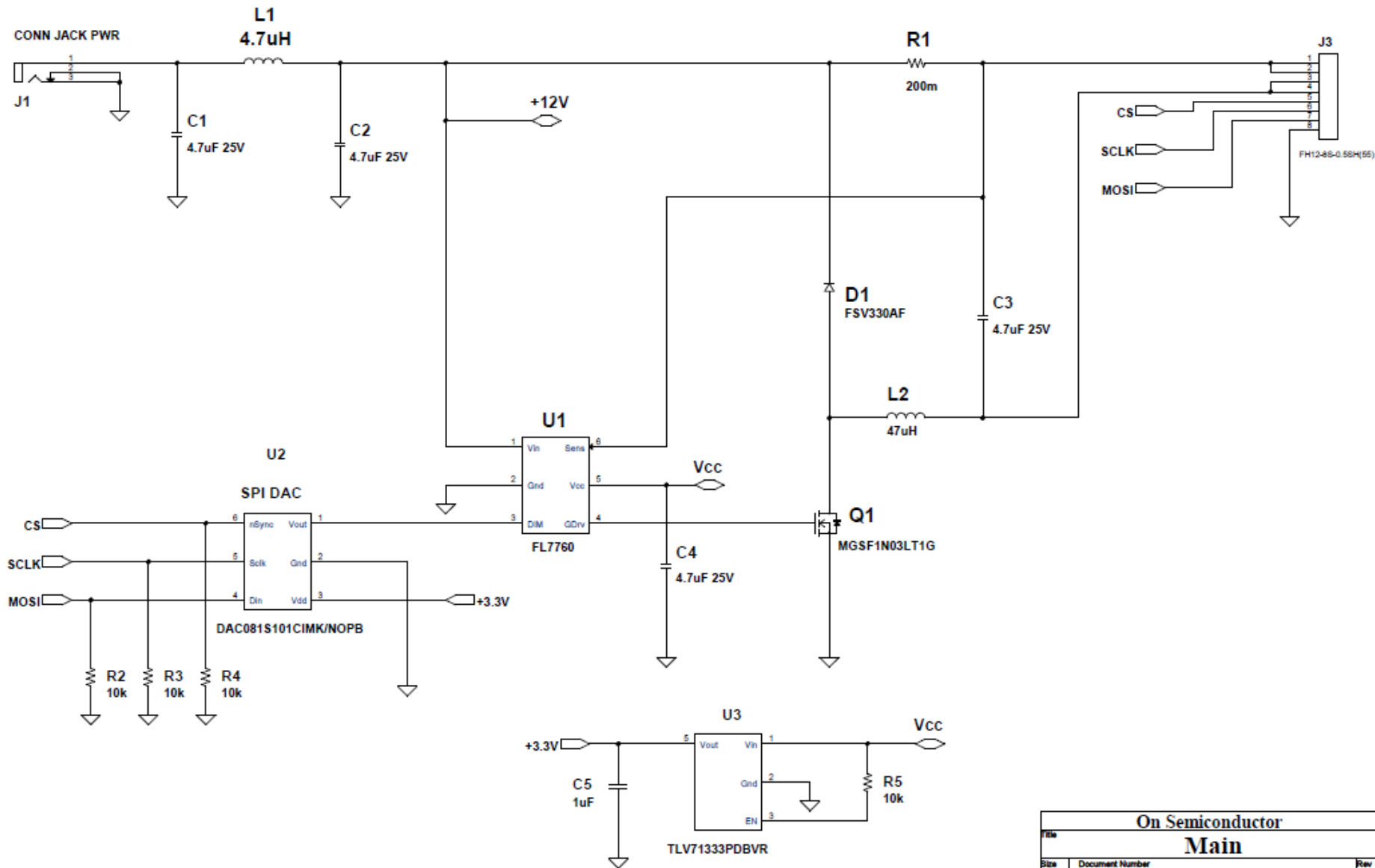




Schematic for the FL7760LED1GEVB Evaluation Board



On Semiconductor		
Main		
Size	Document Number	Rev
B	FL7760 3W LED Driver	03
Date	Specified, November 18, 2018	Sheet 1 of 1