

NOTES:

1- ONLY THE ITEMS WITH QUANTITIES SPECIFIED ON PARTS LIST ARE USED ON THIS APPLICATOR

▲ USED IN PLACE OF ITEM 38 WHEN INSULATION CRIMP IS NOT USED

▲ GUARD MUST BE IN PLACE WHEN OPERATING APPLICATOR IN AMP-O-LECTRIC PRESS

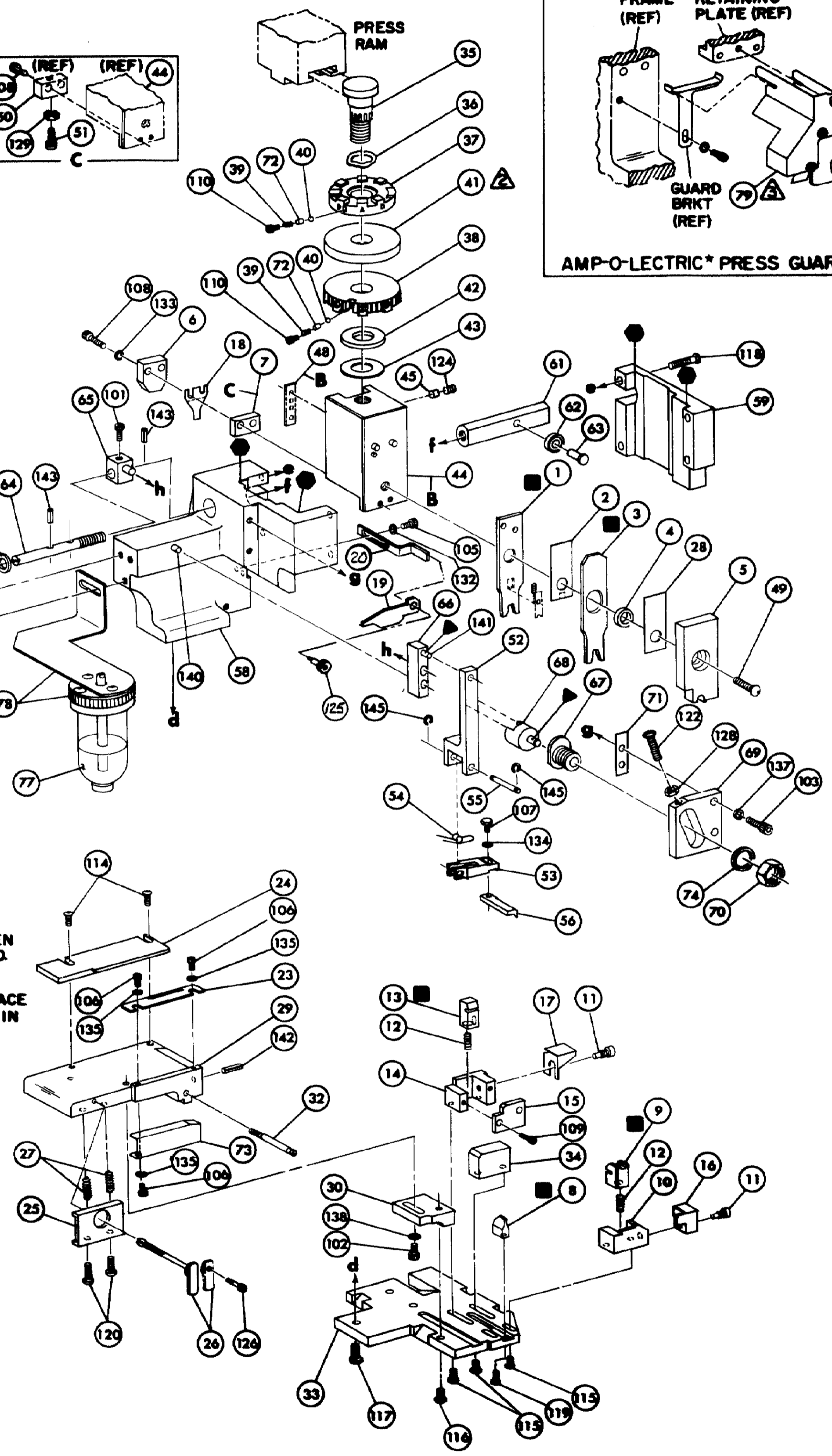
4- ITEMS WITH QTY. OF REF. SPECIFIED (EXCEPT ITEM 79) ARE USED ON ITEM 46

KEY:

■ RECOMMENDED SPARE PARTS CUSTOMER RESPONSIBLE FOR REPLACEMENT

▲ LUBRICATE DAILY USING NO. 20 MACHINE OIL

● GREASE LIGHTLY



REF.	QTY.	PART NO.	DESCRIPTION	REF.	QTY.	PART NO.	DESCRIPTION
REF.		21045-3	RING, RETAINING 'C' (.187 DIA) FEED FINGER PIN	REF.		454220-1	CAP, HOUSING
REF.		5-21028-1	PIN, SLOT SPR (.125 DIA X .50) ADJ ROD	REF.		454485-1	HOUSING
1		4-21028-0	PIN, SLOT SPR (.093 DIA X .75) STR G PLATE	1		670542-2	PAWL, FEED
REF.		1-21030-1	PIN, DOWEL (.187 DIA X .50) LEVER	REF.		240624-1	PIN, FEED FINGER
REF.		1-21030-6	PIN, DOWEL (.187 DIA X 1.25) HOUSING	REF.		691499-1	SPRING, FEED FINGER
1		21024-5	WASHER, LOCK (NO 10) LUB ASSY	REF.		690541-1	FINGER, FEED
1		21024-5	WASHER, LOCK (NO 10) STRIP GUIDE ADJ BLOCK	REF.		455679-1	LEVER, TERMINAL FEED ARM
REF.		21024-5	WASHER, LOCK (NO 10) ADJ PLATE	REF.		455679-1	BUMPER, HOLDDOWN
REF.		21024-5	WASHER, LOCK (NO 10) FEED GUIDE ROD	REF.		455679-1	SPACER, TONKER
3		21057-2	WASHER, LOCK (NO 4) FRONT STRIP GUIDE	1		7-21002-9	BOLT, CRIMPER
1		21024-4	WASHER, LOCK (NO 8) FEED FINGER	1		670602-5	CAM PRE-FEED 1 1/2 STROKE
—		21024-4	WASHER, LOCK (NO 8) DEPRESSOR	—		—	—
1		21024-4	WASHER, LOCK (NO 8) STRIPPER	—		459456-1	APPLICATOR, BASIC (SUB ASSY)
REF.		21899-4	WASHER, FLAT (5/16 DIA) SCREW ADJ	1		690191-1	PLUG, NYLON
1		21899-2	WASHER, FLAT (NO 10) LUB ASSY	1		455673-1	RAM
—		21068-5	NUT, HEX MACH (6-32) HOLDDOWN	1		690125-1	WASHER, LAMINATED
REF.		21068-5	NUT, HEX MACH (6-32) FEED ADJ	1		690124-1	WASHER, RAM
—		—	—	—		—	DISC, SPACER
—		22353-8	SCR, SHLD. (.187 DIA X .250 LG) DRAG LEVER	2		23241-6	BALL, STEEL
1		45667-1	SCR, SHLD. (.188 DIA X .125 LG) STRIPPER	2		690170-1	SPRING, COMPRESSION
1		21009-2	SCR, SKT SET (1/4-20 X .25) (LOC-WEL) RAM	1		670142-1	DISC, INSULATION
REF.		3-21064-2	SCR, RD HD MACH (6-32 X 1.50) FEED ADJ	1		4-672155-0	BISC, WIRE
2		2-21002-9	SCR, BUT HD SKT CAP (10-32 X .75) DRAG	1		22480-5	WASHER, SPRING
1		22733-8	SCR, BUT HD SKT CAP (8-32 X .38) (LOC-WEL) ANVIL	1		690212-1	POST, RAM
REF.		2-21002-9	SCR, BUT HD SKT CAP (10-32 X .75) CAP	REF.		455675-1	SUPPORT, TERMINAL
REF.		1-24073-9	SCR, BUT HD SKT CAP (1/4-20 X .75) HOUSING	1		690432-3	PLATE, BASE
REF.		2-21002-7	SCR, BUT HD SKT CAP (10-32 X .50) SG ADJ BLOCK	REF.		690432-3	SCREW, ADJUSTMENT
2		2-21002-2	SCR, BUT HD SKT CAP (8-32 X .50) SHEAR	REF.		455689-1	BLOCK, STRIP GUIDE ADJ
2		2-21002-2	SCR, BUT HD SKT CAP (8-32 X .50) R STRIP GUIDE	1		455671-1	PLATE, STRIP GUIDE
1		2-21003-0	SCR, FLAT HD SKT CAP (6-32 X .50) CAM	1		1-455888-6	SPACER, FRONT SHEAR DEPRESSOR
1		3-21000-4	SCR, SKT HD CAP (10-32 X .38) LUBRICATOR ASSY	2		1-22284-0	SPRING, DRAG
2		23030-1	SCR, SKT HD CAP (6-32 X .25) (LOC-WEL) CP DISC	1		670546-1	LEVER, DRAG RELEASE
—		—	—	1		240792-1	DRAG, STOCK
2		2-21000-1	SCR, SKT HD CAP (6-32 X .25) REAR SHEAR PLATE	1		2-670504-5	GUIDE STRIP (REAR)
2		2-21000-6	SCR, SKT HD CAP (6-32 X .38) DEPRESSOR	1		670438-1	GUIDE, STRIP (FRONT)
1		2-22603-0	SCR, HEX HD MACH (8-32 X .31) FEED FINGER	REF.		4-22284-9	SPRING, FEED RETURN
3		1-21000-3	SCR, SKT HD CAP (4-40 X .25) F STRIP GUIDE	1		458950-1	ARM, STRIPPER
1		2-21000-7	SCR, SKT HD CAP (8-32 X .50) STRIPPER	1		458949-1	STRIPPER
REF.		3-21000-7	SCR, SKT HD CAP (10-32 X .75) FEED ROD GUIDE	1		1-690518-2	HOLDER, TERMINAL
REF.		3-21000-6	SCR, SKT HD CAP (10-32 X .62) FEED ADJ BLOCK	1		691667-1	GUARD, CHIP (FRONT)
1		3-21000-4	SCR, SKT HD CAP (10-32 X .38) SG ADJ BLOCK	1		—	GUARD, CHIP (REAR)
REF.		3-21000-4	SCR, SKT HD CAP (10-32 X .38) PIVOT BLOCK	1		—	PLATE, SHEAR (REAR)
REF.		455749-1	GUARD, WINDOW	79		—	HOLDER, SHEAR (REAR)
1		1-465184-0	LUBRICATOR ASSY	78		—	SHEAR, FLOAT (REAR)
REF.		852931-2	OIL, LUBRICATING	77		5-22280-0	SPRING, SHEAR
REF.		458109-1	WASHER, SPECIAL	76		690461-1	STOP, SHEAR
1		454877-3	PLATE, STRIP GUIDE COVER	75		670459-1	HOLDER, SHEAR (FRONT)
2		690603-1	SPRING, ASSIST	74		454276-1	SHEAR, FLOAT (FRONT)
REF.		690517-1	SPACER	73		6-670471-6	ANVIL
REF.		22594-8	NUT, HEX	72		—	SPACER, DEPRESSOR (REAR)
REF.		240628-1	PLATE, ADJUSTMENT	71		455889-9	DEPRESSOR, SHEAR (FRONT)
REF.		240626-1	SHAFT, PIVOT	69		238011-6	SPACER, TUBULAR, INS CRIMPER
REF.		240633-1	BUSHING	68		4-456135-7	CRIMPER, INSULATION
REF.		455680-1	LEVER, INTERMEDIATE	67		1-455888-0	SPACER, CRIMPER
REF.		240629-1	BLOCK, PIVOT	66		1-456402-9	CRIMPER, WIRE
REF.		240632-2	SCREW, ADJUSTMENT FEED ROD	65		—	—
REF.		240659-3	PIN, CAM ROLLER	64		—	—
REF.		240658-1	ROLLER, CAM	63		—	—
REF.		454398-2	ROD, FEED	62		—	—
REF.		454178-1	GUIDE, FEED ROD	61		—	—

CRIMPING DATA				APPLICATOR WILL APPLY	
PAD LTR	CRIMP HEIGHT	WIRE SIZE	WIRE LENGTH		
A	.028	22			61613
B	.025	24			61941
C	.023	26			62584
D	NOT USED				

CRIMP	SIZE	TYPE	FEED	APPL INST
WIRE	22	F	.320	A1 8040
INSUL	100	O		

WIRE RANGE: 20-22 INSULATION RANGE: .030-.105 PRESS NO: 525435-5

REMARKS: PRE-FEED AMP-O-LECTRIC

REMARKS		NO	REV
APPL USED ON MACHINE PART NO		TO APPLY TERMINAL	
CUSTOMER NAME	MACH SERIAL NO	DISTRIBUTION	
ADDRESS	APPL SERIAL NO	ORIGINAL	
CITY	PURCHASE ORDER	CUSTOMER COPY	
	ENG APP	FIELD ENG COPY	

I.D. PLATE (REF): 461264-1

IEC-A-272190 SET UP GAGE 10-1
 ECA A15758 DR-48-15 APP
 ADD ITEM 181/08
 REV ITEM 1 PER R24
 REV ITEM 1 PER R24
 REV ITEM 1 PER R24

AMP INCORPORATED Harrisburg, Pa

NO 466487-2

MINIATURE QUICK CHANGE APPLICATOR SIDE FEED (.025 SQ. TAB RECEIPT)

THIS INFORMATION IS CONFIDENTIAL AND IS TO BE KEPT AS SUCH UNLESS OTHERWISE SPECIFIED BY THE USER. IT IS TO BE DESTROYED WHEN NO LONGER REQUIRED FOR THE OPERATION OF THE EQUIPMENT. WRITTEN AUTHORIZATION FROM AMP INCORPORATED, HARRISBURG, PA, IS REQUIRED FOR REPRODUCTION.