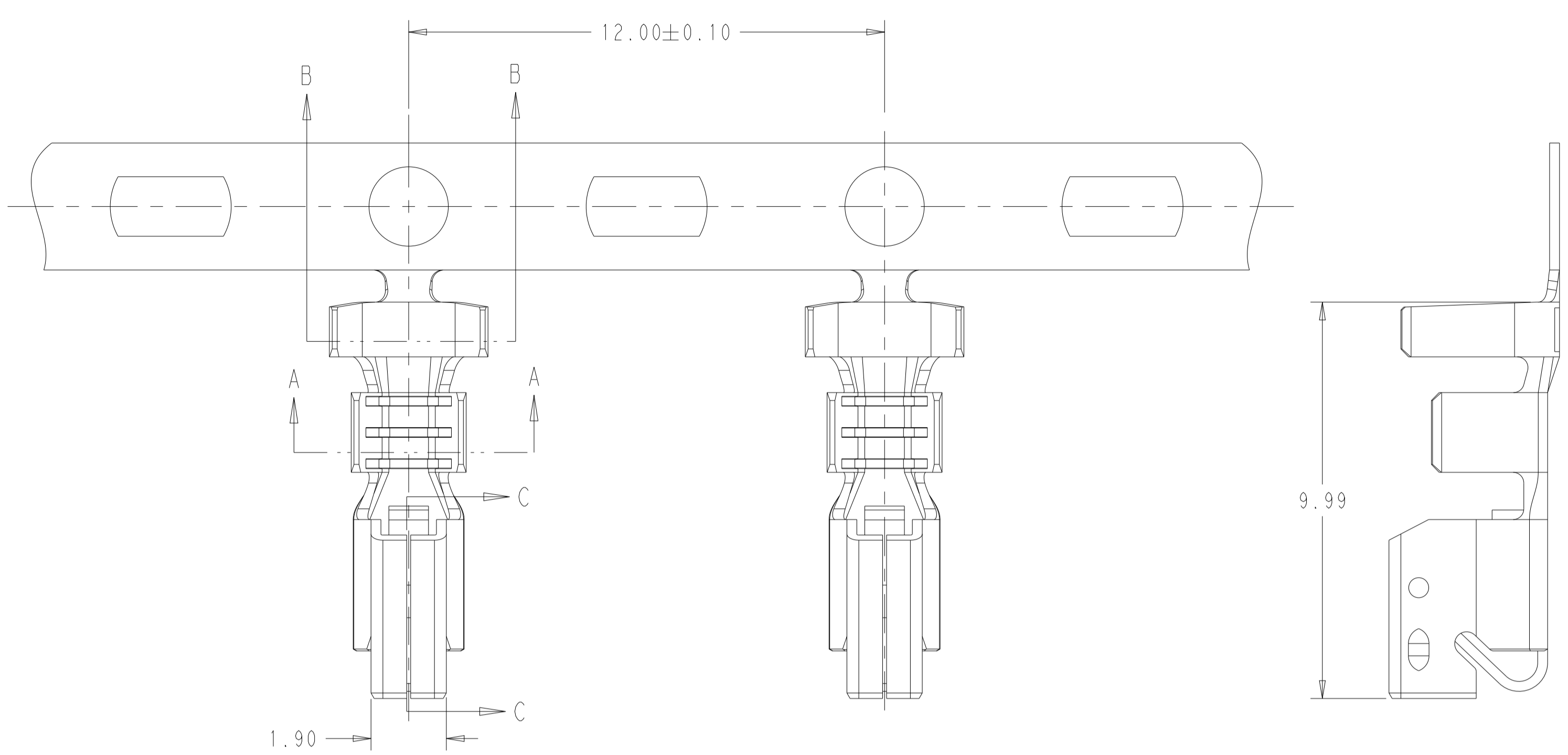
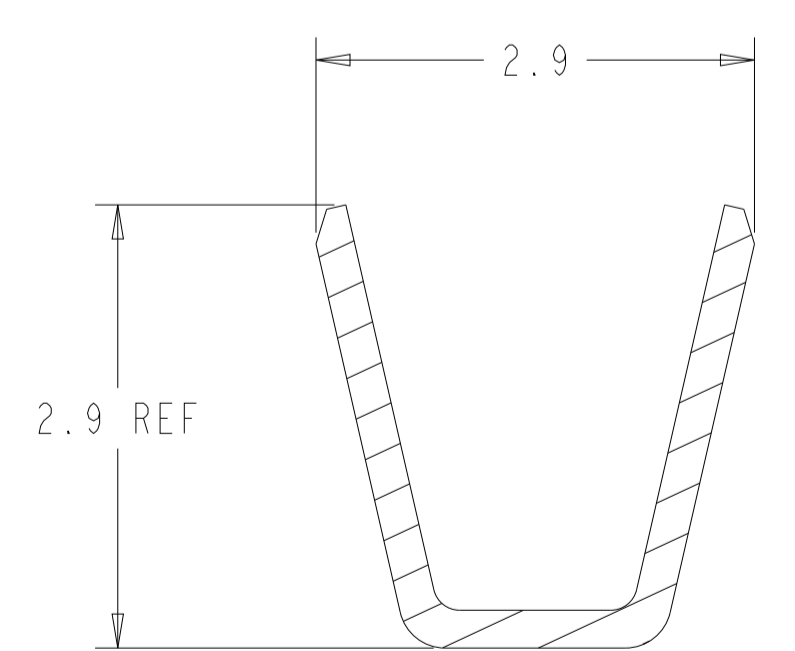
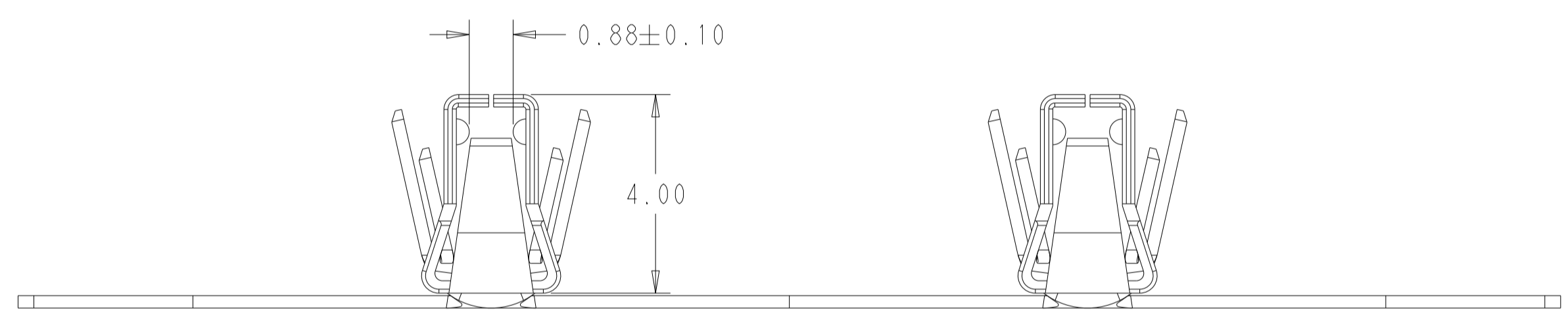
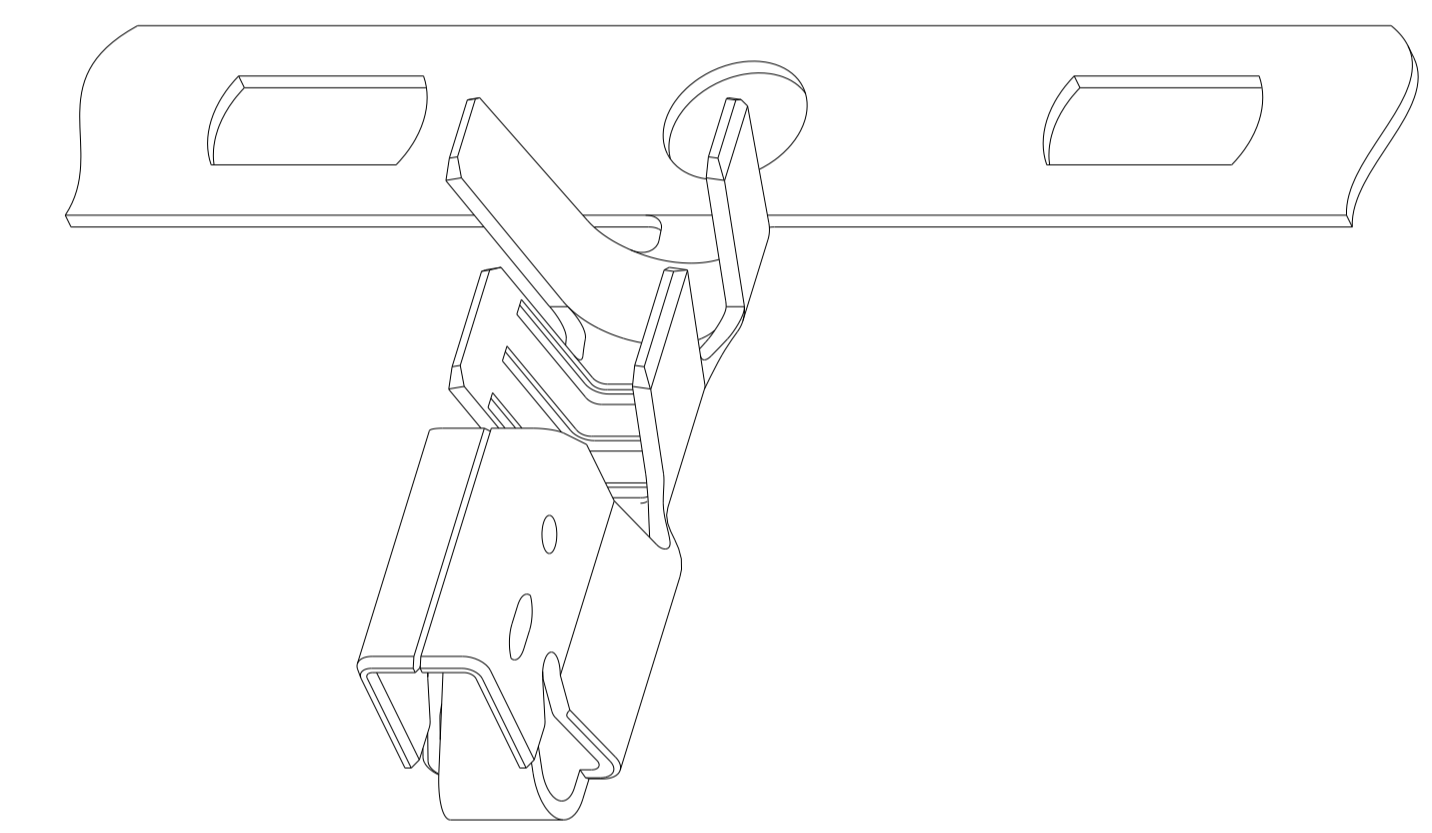


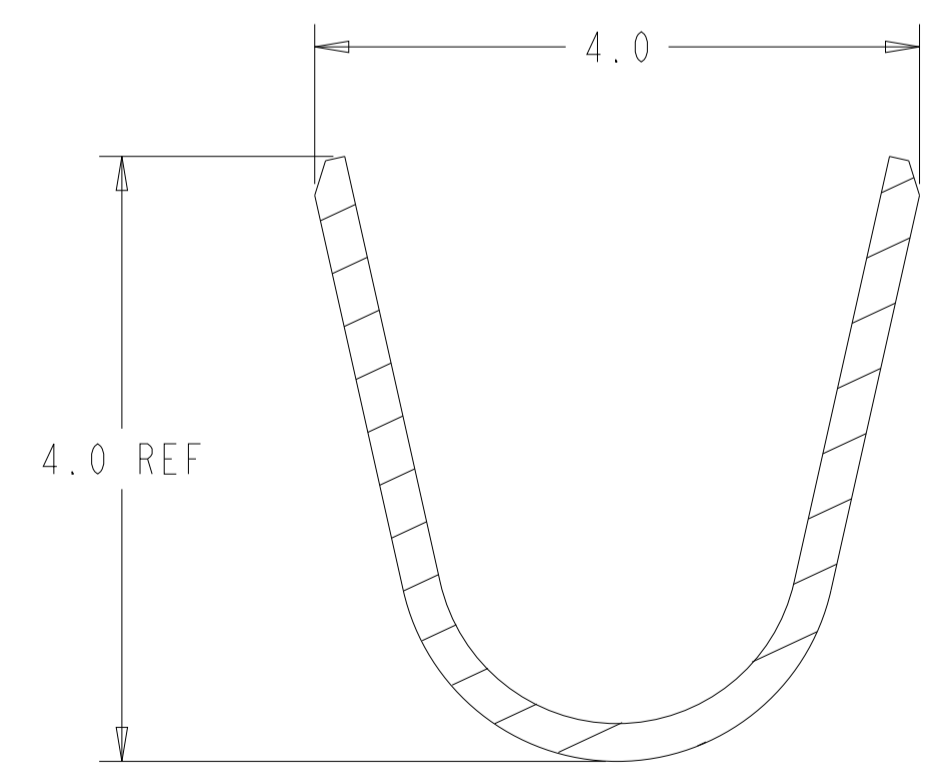
REVISIONS				
P	LTN	DESCRIPTION	DATE	APVD
A		REVISED PER ECN-21-111388	02AUG2021	W, H, D, Z



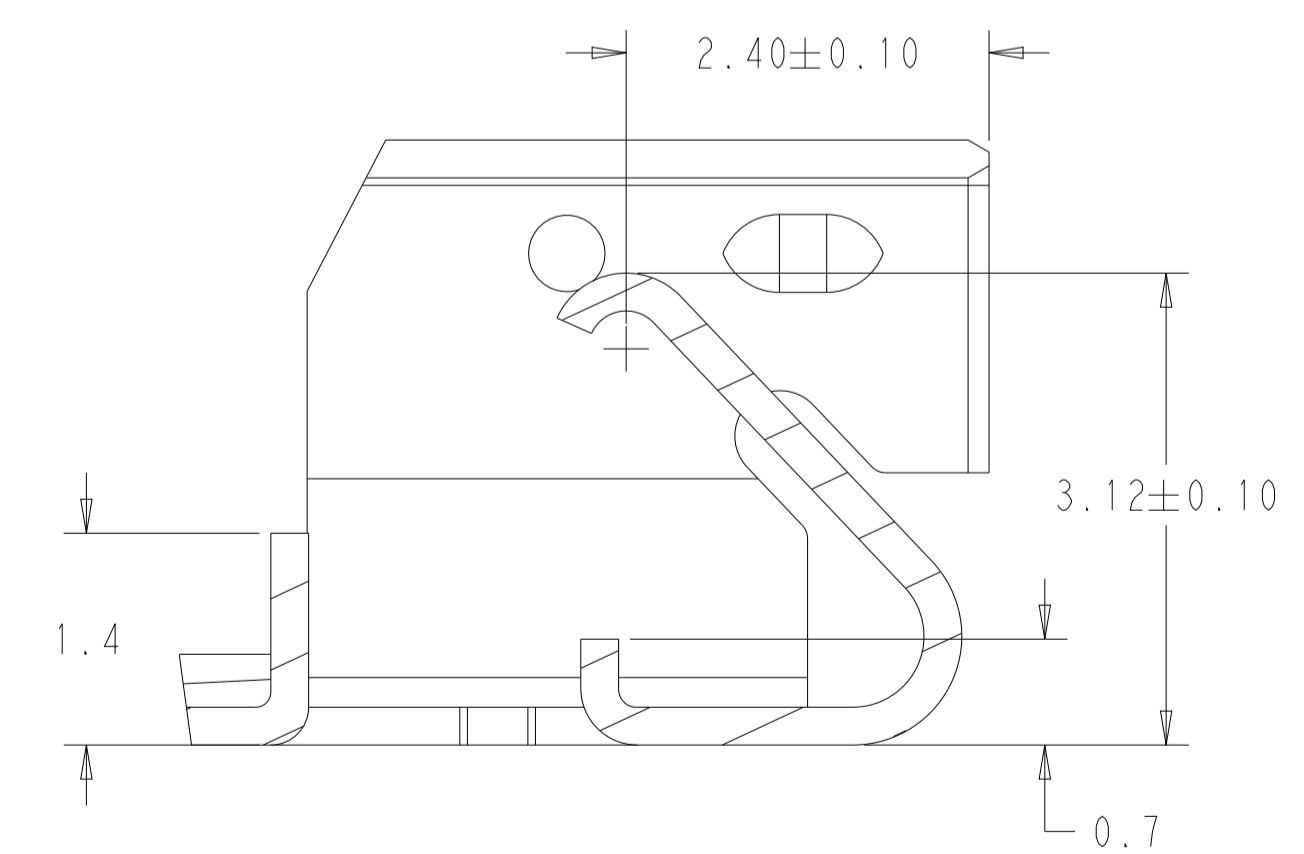
- ⚠ MATERIAL: PHOSPHOR BRONZE
FINISH: PRE-TIN
- 2. RECOMMENDED MATING PARTS: []-2371377-[] OR []-2377130-[]
- ⚠ CONTACTS COATED WITH ANTI-FRETTING LUBRICANT.
- 4. PACKAGING: ON REEL
- 5. REFERENCE CRIMP INFORMATION:
WIRE RANGE: 18-16 AWG [1.04-1.30MM²].
WIRE INSULATION RANGE: 1.70-2.90MM DIA.
- ⚠ THIS PRODUCT HAS NOT COMPLETED VALIDATION TESTING



SECTION A-A
SCALE 20:1



SECTION B-B
SCALE 20:1



SECTION C-C
SCALE 20:1

⚠	2377997-1
LUBRICANT	PART NO

THIS DRAWING IS A CONTROLLED DOCUMENT.		DWN W. HUO	01JUN2021	TE Connectivity
DIMENSIONS:		CHK D. ZHANG	03JUN2021	
TOLERANCES UNLESS OTHERWISE SPECIFIED:		APVD D. ZHANG	03JUN2021	NAME RECEPTACLE CONTACT, LANCE-LESS
mm	0 PLC ±.25	PRODUCT SPEC		16-18AWG, ECONOMY POWER II
	1 PLC ±.20	APPLICATION SPEC		108-2297
	2 PLC ±.15	RESTRICTED TO		SIZE CAGE CODE DRAWING NO
	3 PLC ±.10	SCALE		10:1
	4 PLC ±.05	SHEET		1 OF 1
	ANGLES ±3°	REV		A
MATERIAL	FINISH	WEIGHT		
⚠	⚠	CUSTOMER DRAWING		