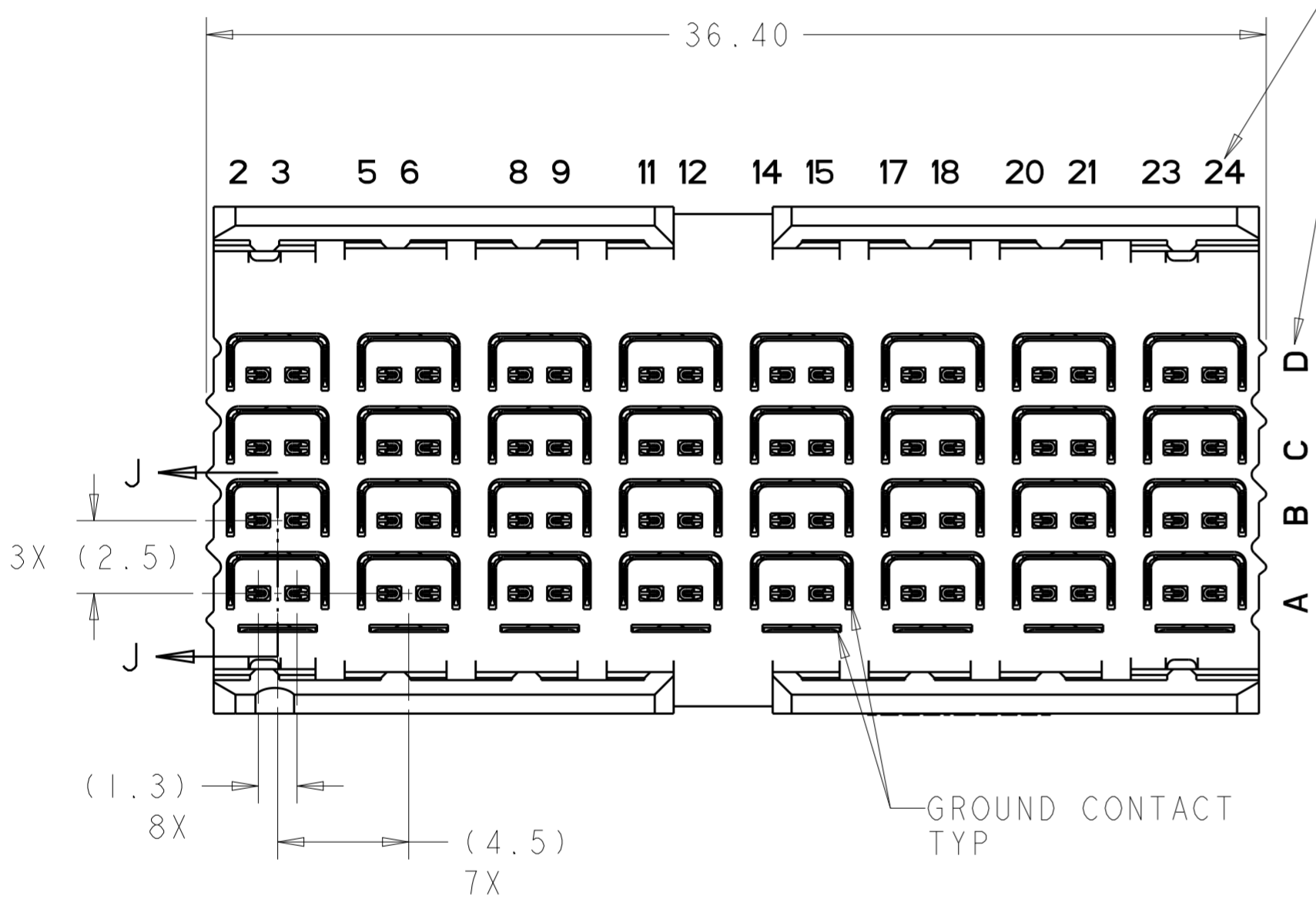
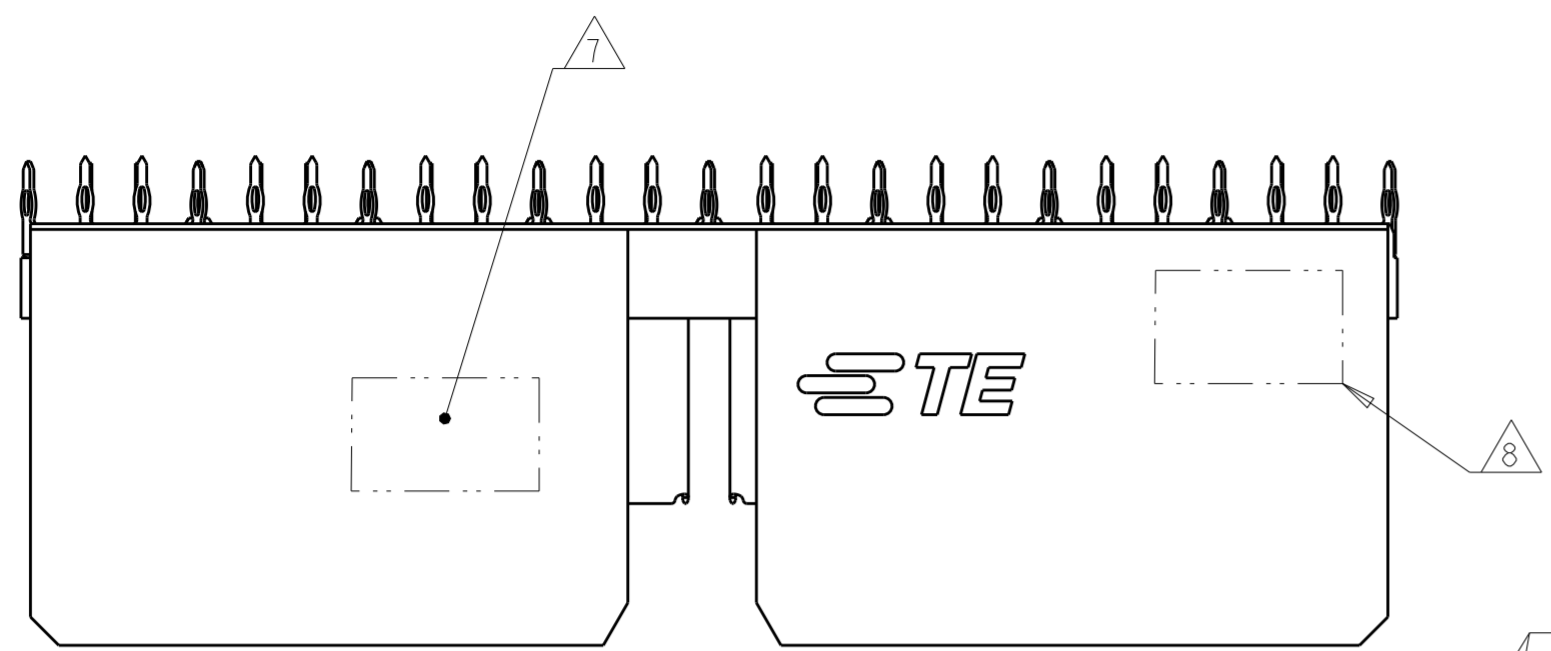
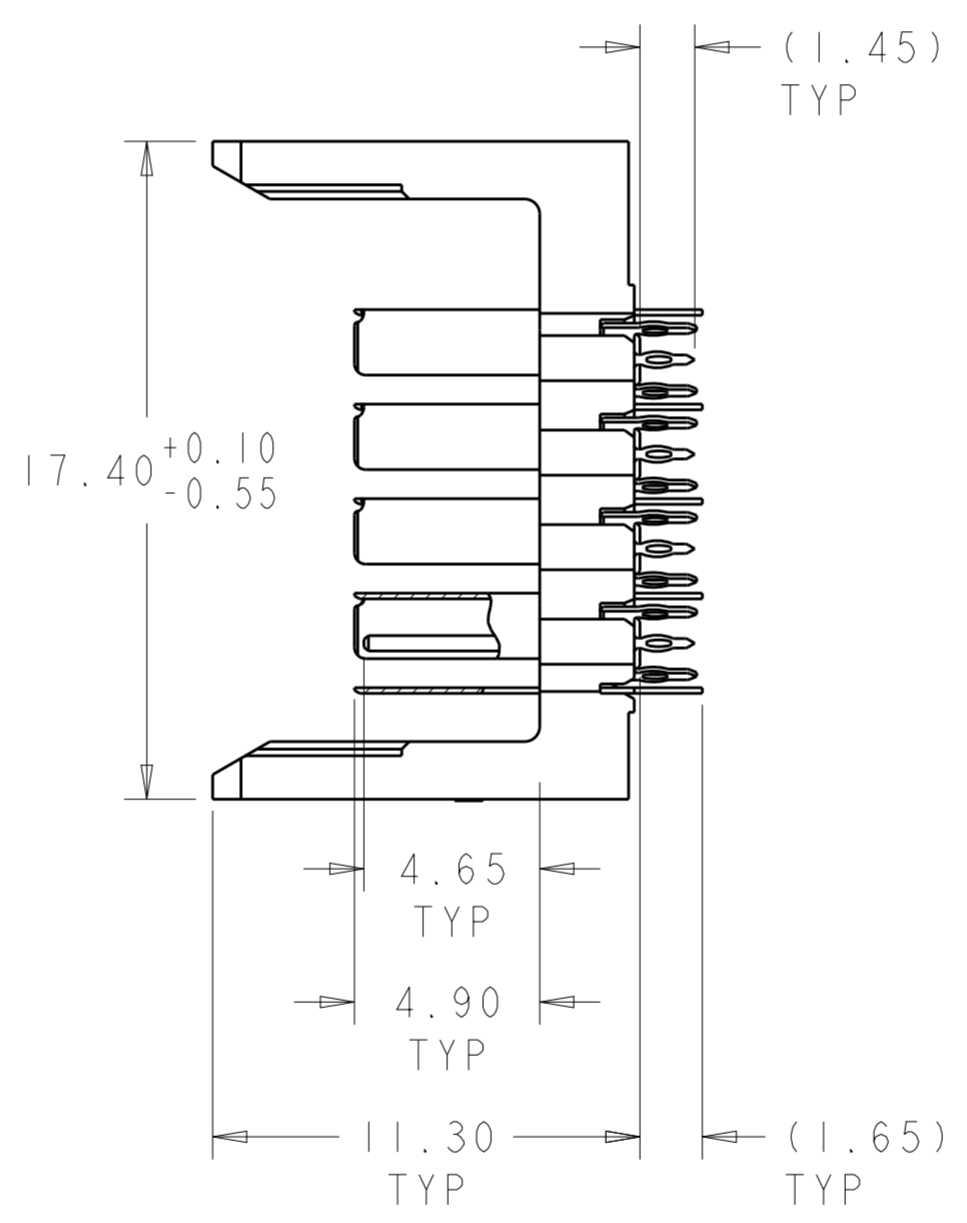


THIS DRAWING IS UNPUBLISHED. RELEASED FOR PUBLICATION 20
 © COPYRIGHT 20 TE CONNECTIVITY ALL RIGHTS RESERVED.

LOC	DIST	REVISIONS					
GP	00	P	LTR	DESCRIPTION	DATE	DWN	APVD
		A		INITIAL RELEASE	28OCT2013	J.G	C.Z
		B		UPDATED FHS ON NOTE 4	14NOV2013	J.G	C.Z
		C		REVISED PER ECO-17-004448	29MAR2017	JM	SS
		D		REVISED PER ECO-19-001409	01FEB2019	AP	RP

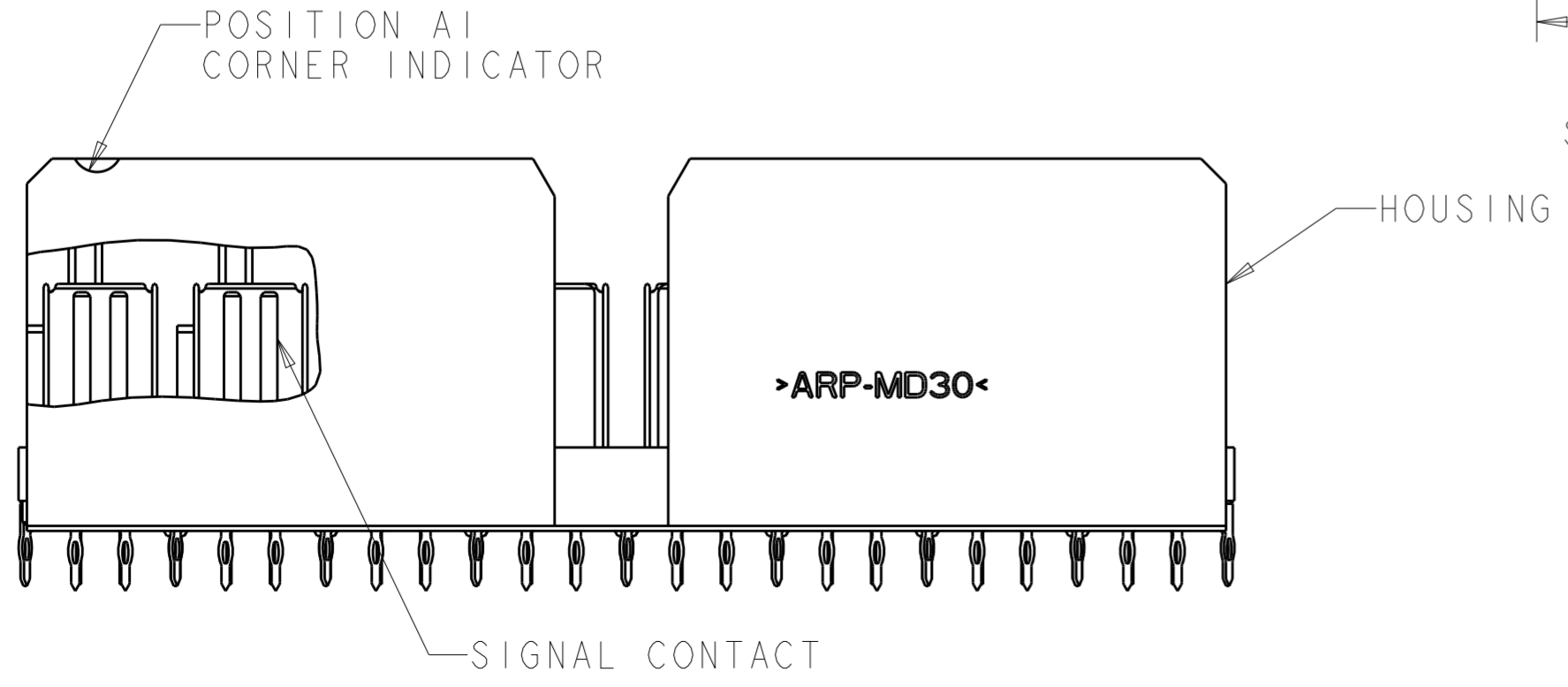


COLUMN NUMBER AND ROW LETTER (LOCATION SAME AS PCB LAYOUT PER SHEET 2)



SECTION J-J

- 1 HOUSING: THERMOPLASTIC, UL 94V-0, BLACK. CONTACT: COPPER ALLOY.
- 2 CONFORMS TO REQUIREMENTS OF TE PRODUCT SPEC 108-2413, BASED ON TELECORDIA GR-1217-CORE FOR SYSTEM QUALITY LEVEL III APPLICATIONS IN CONTROLLED ENVIRONMENTS (CENTRAL OFFICE).
- 3 CONSULT APPLICATION SPECIFICATION 114-13301.
- 4 PLATED THRU HOLE REQUIREMENTS:
 FINISHED HOLE = $\varnothing 0.344 \pm 0.046$ mm
 DRILLED HOLE BEFORE PLATING = $\varnothing 0.420 \sim 0.435$ mm
 COPPER THICKNESS = 0.042mm REF
- 5 PLATED THRU HOLE DIMENSIONS APPLY TO 1.00mm DEPTH FROM MOUNT SIDE OF BOARD.
- 6 HOLE POSITION TOLERANCE APPLIES WITHIN PATTERN FOR CONNECTOR PATTERN TO CONNECTOR PATTERN, A 0.12(M) POSITION TOLERANCE APPLIES.
- 7 CONNECTOR MARKED WITH PART NUMBER, DATE CODE, AND OPTIONAL MANUFACTURING LOCATION IDENTIFICATION CODE IN APPROXIMATE AREA SHOWN.
- 8 CONNECTOR MARKED WITH 2D BARCODE IN APPROXIMATE AREA SHOWN

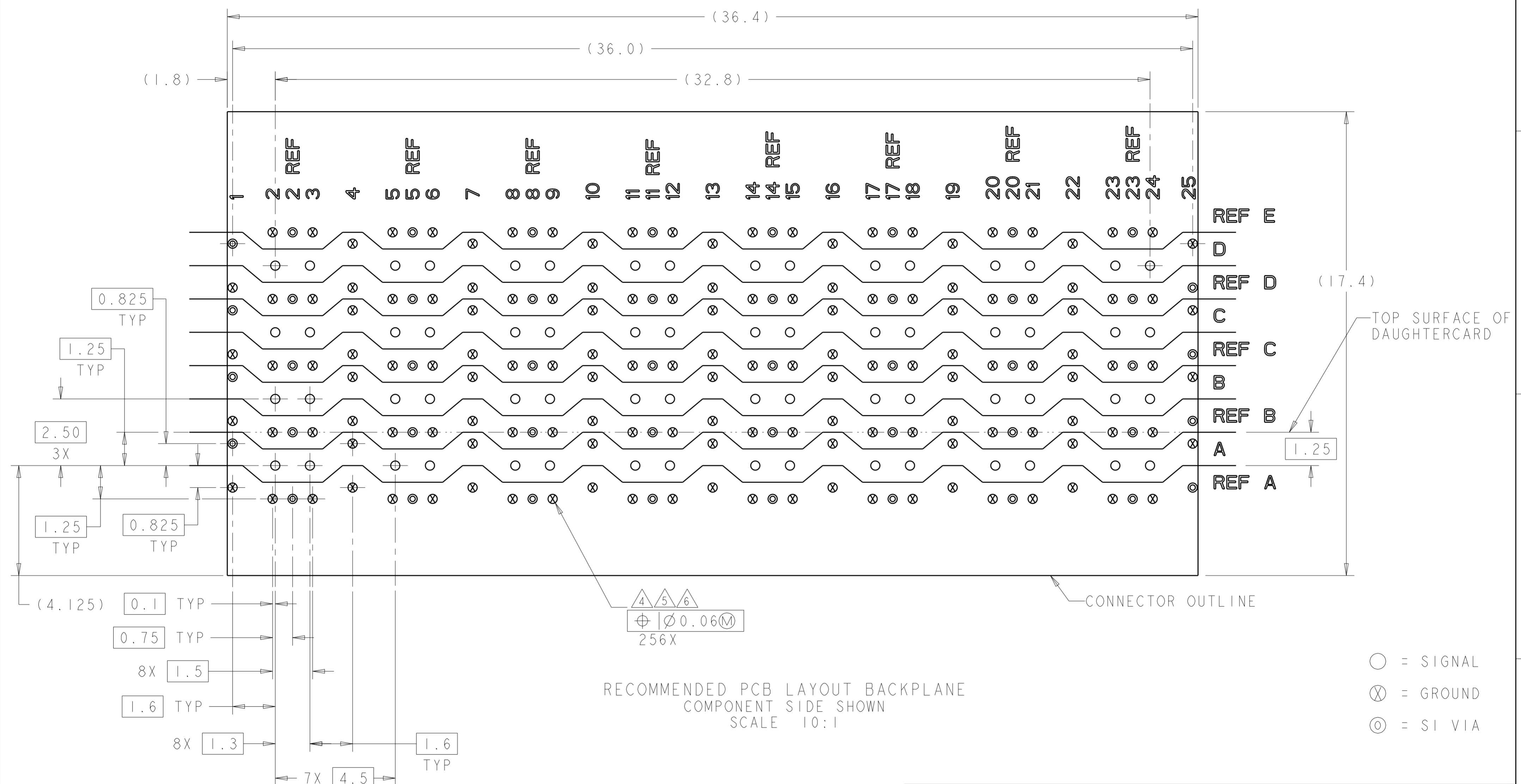


64	TIN	2180832-2
64	TIN-LEAD	2180832-1
SIGNAL CONTACT QTY REF	PRESS FIT TAIL PLATING	PART NO

THIS DRAWING IS A CONTROLLED DOCUMENT.		DWN M. SHIRK 17JUN2011	TE Connectivity	NAME: HEADER ASSEMBLY, 4 PAIR 8 COLUMN, 4.5mm PITCH, STRADA WHISPER
DIMENSIONS: mm		CHK N. SWANGER 17JUN2011		
TOLERANCES UNLESS OTHERWISE SPECIFIED:		APVD N. SWANGER 17JUN2011		
0 PLC ± 1 PLC ± 2 PLC ±0.10 3 PLC ± 4 PLC ± ANGLES ± FINISH ±		PRODUCT SPEC 2 APPLICATION SPEC 3		
MATERIAL 1	SEE TABLE	WEIGHT -	SIZE A2	CAGE CODE 00779
CUSTOMER DRAWING			DRAWING NO C-2180832	RESTRICTED TO -
SCALE 5:1			SHEET 1 OF 2	REV D

THIS DRAWING IS UNPUBLISHED. RELEASED FOR PUBLICATION 20
 © COPYRIGHT 20 TE CONNECTIVITY ALL RIGHTS RESERVED.

LOC	DIST	REVISIONS					
GP	00	P	LTR	DESCRIPTION	DATE	DWN	APVD
		-		SEE SHEET 1			



4 5 6
 ⊕ | ∅ 0.06(M)
 256X

THIS DRAWING IS A CONTROLLED DOCUMENT.		DWN M. SHIRK 17 JUN 2011	TE Connectivity
DIMENSIONS: mm		CHK N. SWANGER 17 JUN 2011	
TOLERANCES UNLESS OTHERWISE SPECIFIED: 0 PLC ± 1 PLC ± 2 PLC ±0.10 3 PLC ± 4 PLC ± ANGLES ± FINISH		APVD N. SWANGER 17 JUN 2011	
MATERIAL - SEE TABLE		PRODUCT SPEC - APPLICATION SPEC - WEIGHT -	
NAME HEADER ASSEMBLY, 4 PAIR 8 COLUMN, 4.5mm PITCH, STRADA WHISPER			RESTRICTED TO
SIZE A200779		CAGE CODE C-2180832	DRAWING NO - SCALE 5:1
CUSTOMER DRAWING		SHEET 2 OF 2	REV D