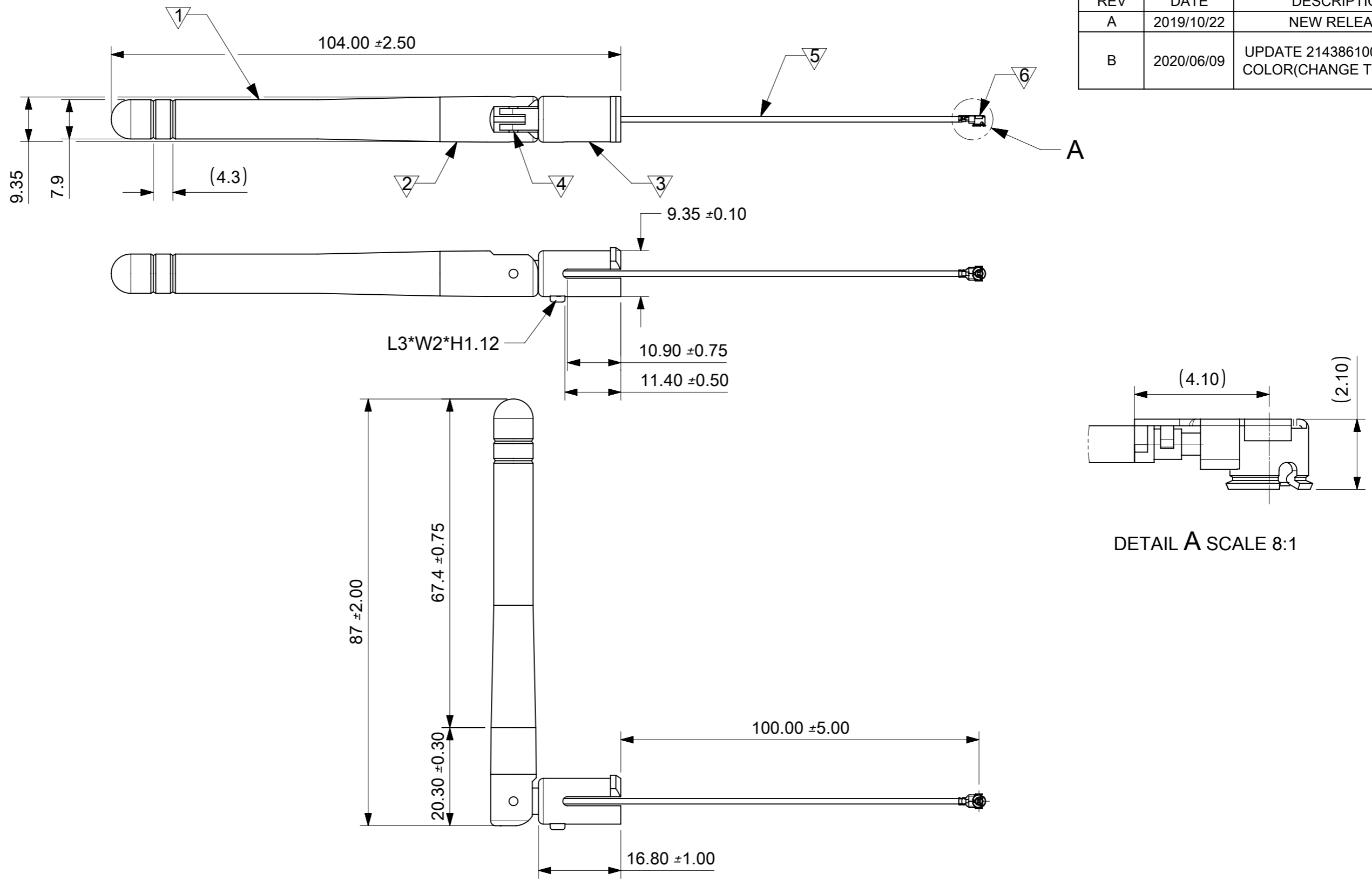


REV	DATE	DESCRIPTION
A	2019/10/22	NEW RELEASE
B	2020/06/09	UPDATE 2143861001 CABLE COLOR(CHANGE TO BLACK)



- NOTES:
1. FOR STRUCTURAL MATERIALS, PLEASE REFER TO THE MATERIAL FORM.
 2. PACKAGE SPEC. REFER TO PK OF 2143860001.
 3. PRODUCT SPEC. REFER TO PS OF 2143860001.
 4. APPLICATION SPEC. REFER TO AS OF 2143860001.

SYMBOLS		THIS DRAWING CONTAINS INFORMATION THAT IS PROPRIETARY TO MOLEX ELECTRONIC TECHNOLOGIES, LLC AND SHOULD NOT BE USED WITHOUT WRITTEN PERMISSION	
▽ = 0	mm	SCALE	1:1
▽ = 0	GENERAL TOLERANCES (UNLESS SPECIFIED)		
▽ = 0	ANGULAR TOL	±	°
▽ = 0	4 PLACES	±	
▽ = 0	3 PLACES	±	
▽ = 0	2 PLACES	±	0.5
▽ = 0	1 PLACE	±	1.0
▽ = 0	0 PLACES	±	
■ = 0	DRAFT WHERE APPLICABLE MUST REMAIN WITHIN DIMENSIONS		
▽ = 0	THIRD ANGLE PROJECTION	DRAWING	A3-SIZE
CURRENT REV DESC:		SERIES	214386
EC NO: 639180		MATERIAL NUMBER	SEE BOM
DRWN: KCHENG06		CUSTOMER	GENERAL MARKET
CHK'D: XJSONG		DOCUMENT NUMBER	2143860001
APPR: XJSONG		DOC TYPE	PSD
INITIAL REVISION:		DOC PART	000
DRWN: KCHENG06		REVISION	B
APPR: XJSONG		SHEET NUMBER	1 OF 2

THIS MATERIAL TABLE IS APPLIED FOR ANTENNAS BELOW:
MOLEX P/N:2143860001

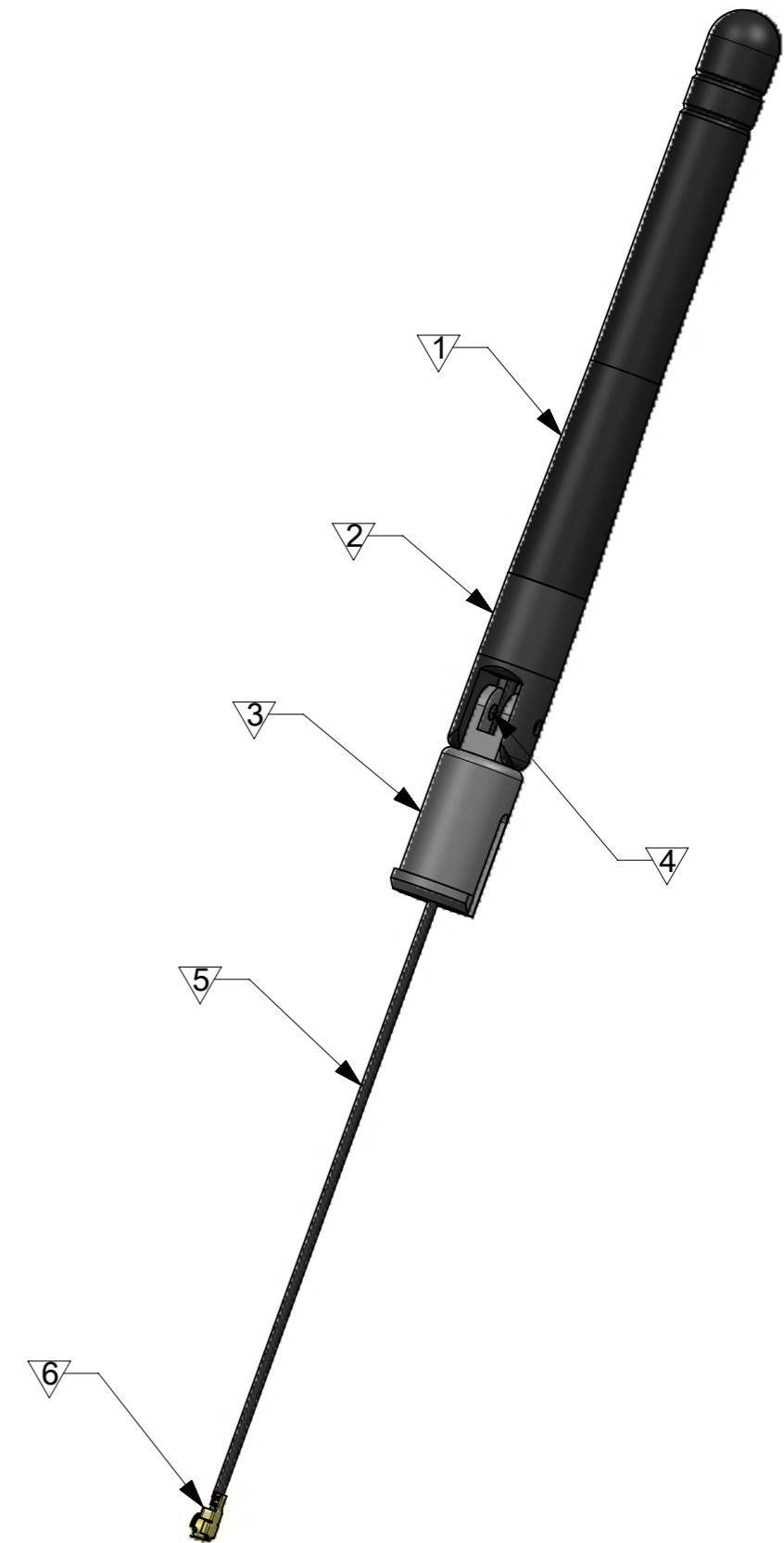
MATERIAL BOM

ITEM	DESCRIPTION		Q'TY	REMARK
1	ANTENNA CAP	TPE	1	COLOR:BLACK
2	UPPER FIXED BASE	PC+PBT	1	COLOR:BLACK
3	BOTTOM FIXED BASE	PC+PBT	1	COLOR:BLACK
4	RIVET	POM	2	COLOR:BLACK
5	CABLE	1.13MM	1	COLOR:BLACK
6	CONNECTOR	I-PEX MHF I	1	PLATING GOLD

THIS MATERIAL TABLE IS APPLIED FOR ANTENNAS BELOW:
MOLEX P/N:2143861001

MATERIAL BOM

ITEM	DESCRIPTION		Q'TY	REMARK
1	ANTENNA CAP	TPE	1	COLOR:WHITE
2	UPPER FIXED BASE	PC+PBT	1	COLOR:WHITE
3	BOTTOM FIXED BASE	PC+PBT	1	COLOR:WHITE
4	RIVET	POM	2	COLOR:WHITE
5	CABLE	1.13MM	1	COLOR:BLACK
6	CONNECTOR	I-PEX MHF I	1	PLATING GOLD



SYMBOLS ▽ = 0 ▽ = 0 ▽ = 0 ▽ = 0 ▽ = 0 ▽ = 0 ▽ = 0 ▽ = 0 ▽ = 0 ▽ = 0	THIS DRAWING CONTAINS INFORMATION THAT IS PROPRIETARY TO MOLEX ELECTRONIC TECHNOLOGIES, LLC AND SHOULD NOT BE USED WITHOUT WRITTEN PERMISSION	SCALE		CURRENT REV DESC: EC NO: 639180 DRWN: KCHENG06 2020/06/09 CHK'D: XJSONG 2020/06/10 APPR: XJSONG 2020/06/10 INITIAL REVISION: DRWN: KCHENG06 2019/11/02 APPR: XJSONG 2019/11/05						
	DIMENSION UNITS	mm	1:1					MOLEX WIFI/BT DUAL-BAND ANTENNA_IPEX		
	GENERAL TOLERANCES (UNLESS SPECIFIED)				PRODUCT CUSTOMER DRAWING					
	ANGULAR TOL ± °				DOCUMENT NUMBER					
	4 PLACES ±				2143860001		DOC TYPE	DOC PART	REVISION	
	3 PLACES ±				SEE BOM		PSD	000	B	
2 PLACES ± 0.5				MATERIAL NUMBER		CUSTOMER		SHEET NUMBER		
1 PLACE ± 1.0				A3-SIZE		GENERAL MARKET		2 OF 2		
0 PLACES ±				SERIES						
DRAFT WHERE APPLICABLE MUST REMAIN WITHIN DIMENSIONS				THIRD ANGLE PROJECTION						
				DRAWING						
				214386						