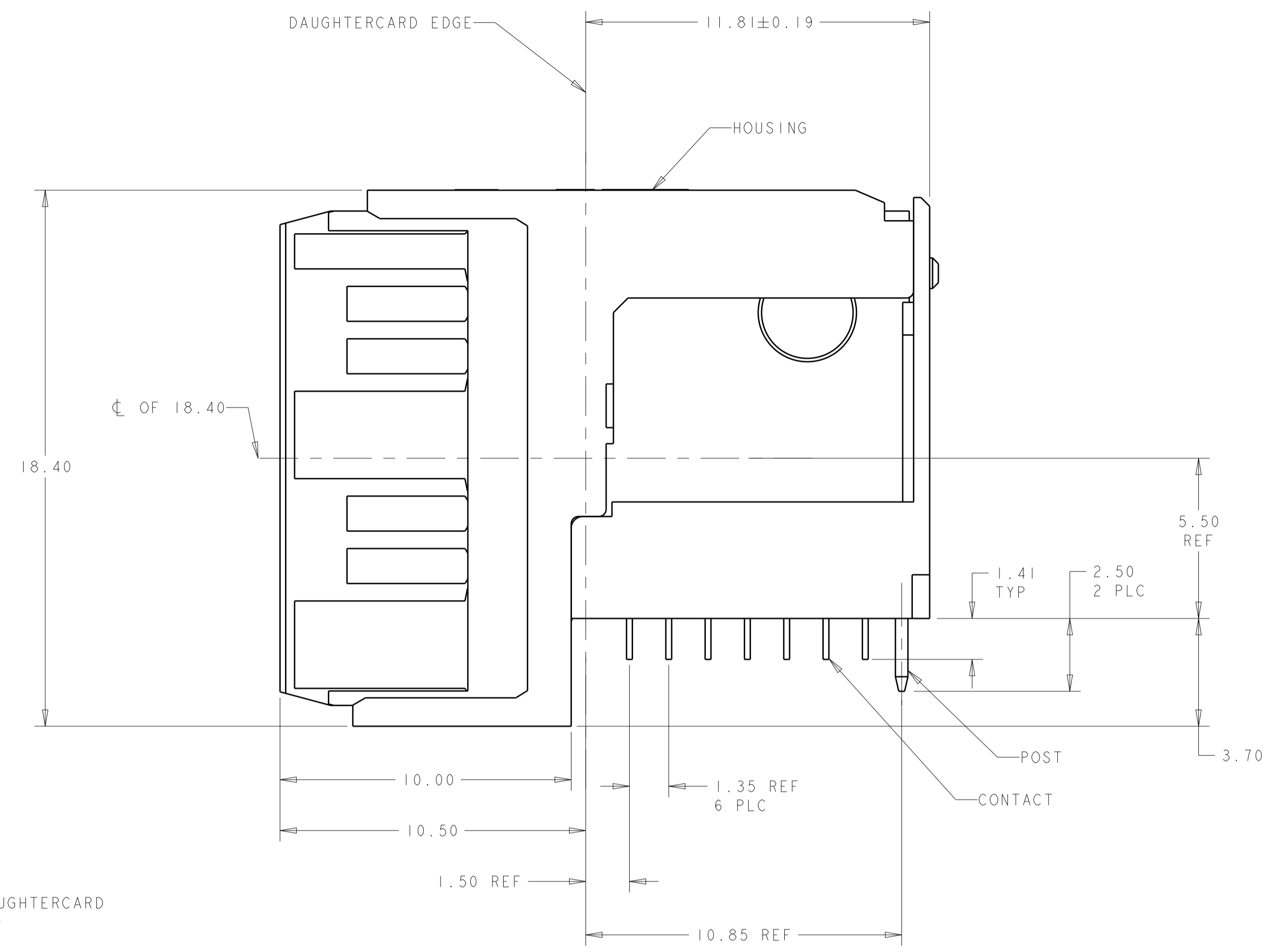
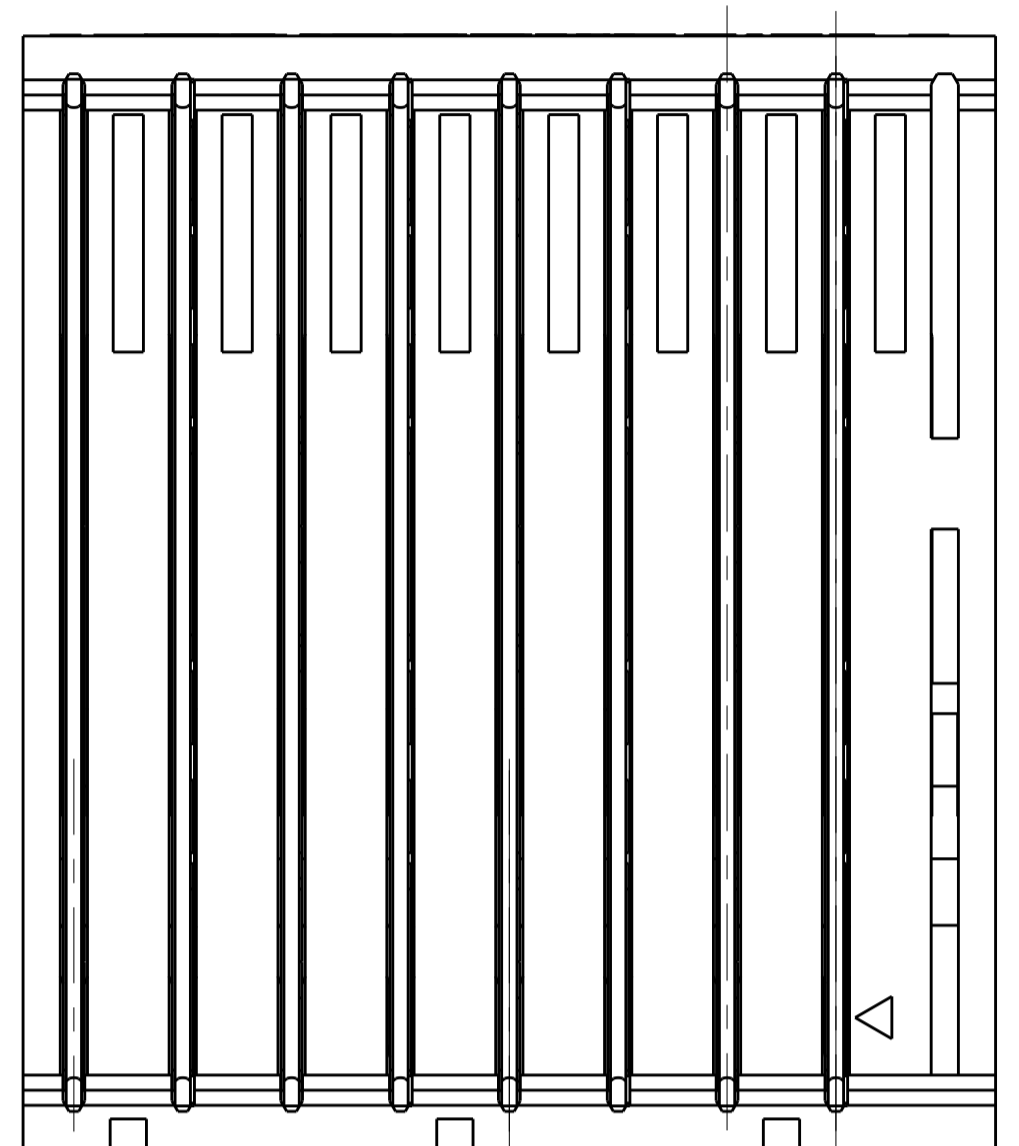


LOC		DIST		REVISIONS			
P	LTM	DATE	DMN	APVD			
B		RELEASED PER ECO-13-004502	12MAR2013	KM	DH		
C		REVISED PER ECO-13-008265	15MAY2013	DB	DH		



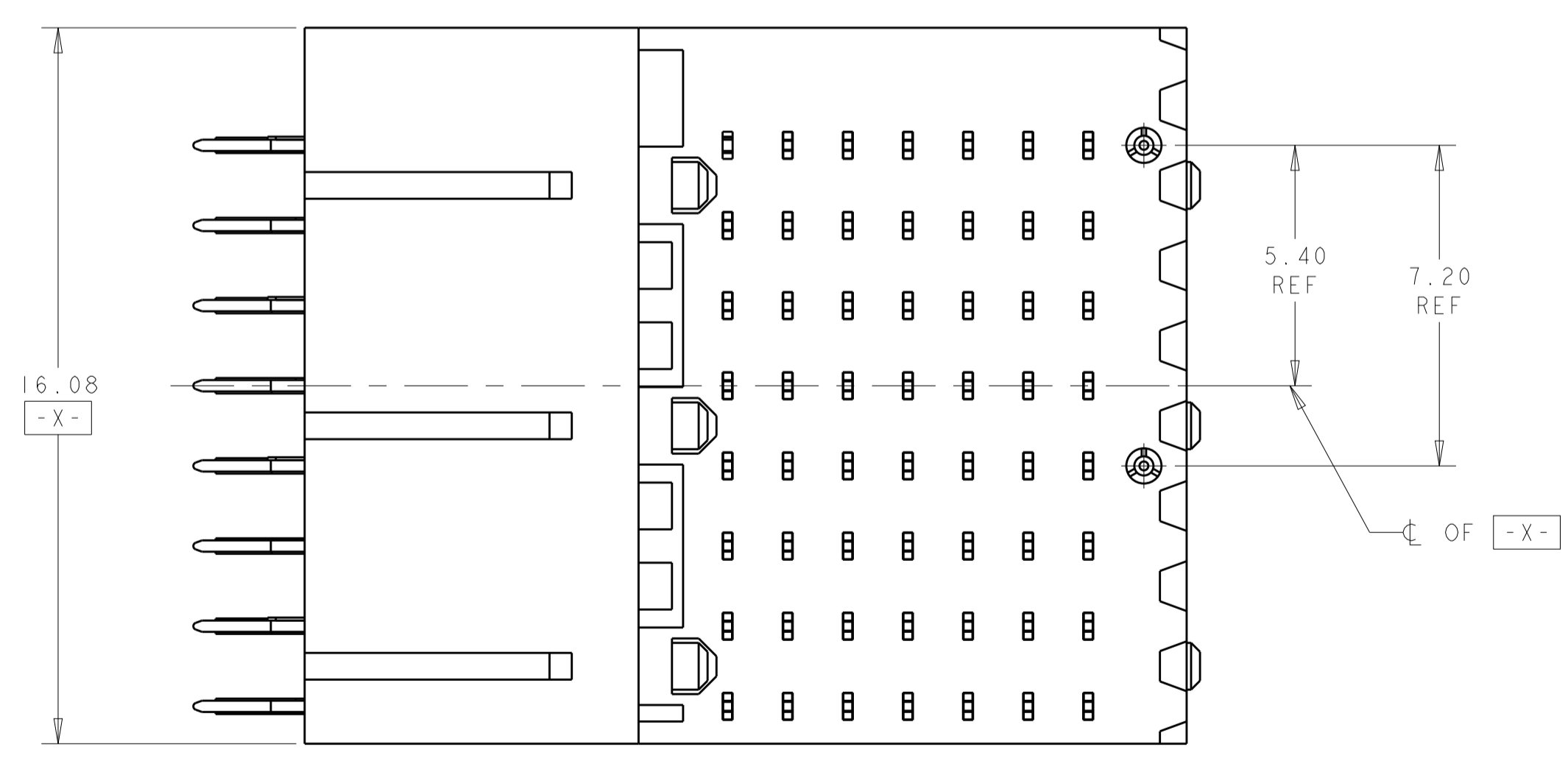
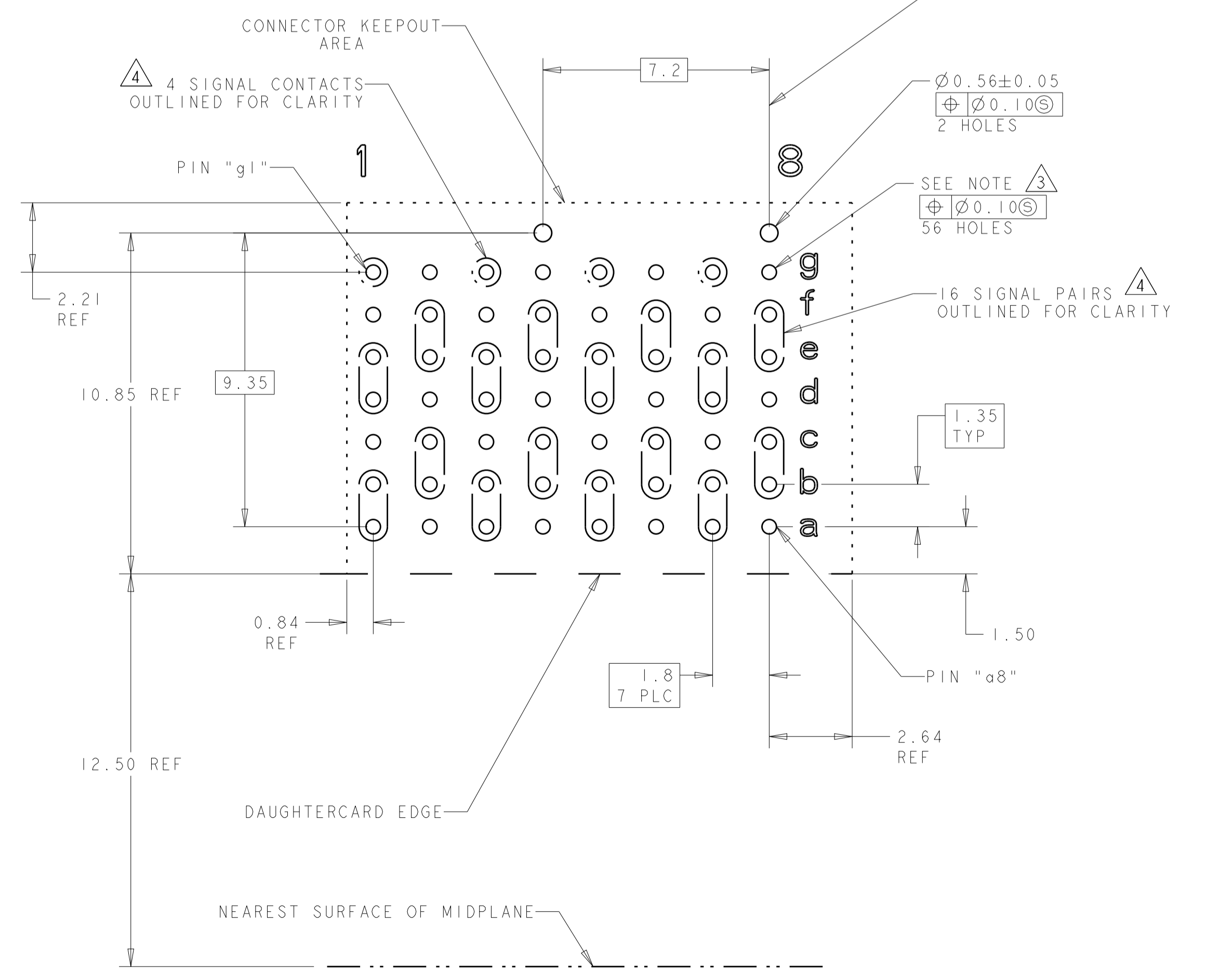
- △ HOUSING: LCP, UL94V0, COLOR: BLACK.  
CONTACT: PHOSPHOR BRONZE.  
POST: BRASS WIRE
- △ CONTACT: 1.27μm MIN GOLD IN PAD CONTACT AREA, 1.27μm MIN TIN-LEAD ON PCB TAIL OVER 1.27μm MIN. NICKEL OVER ALL.  
POST: 1.27μm MIN NICKEL PLATED.
- △ PLATED THROUGH HOLE PER 114-13056, FIGURE 4
- △ SEE TABLE 1 FOR INTERCONNECTIONS TO BACKPLANE CONNECTOR.
- △ CONTACT: 1.27μm MIN GOLD IN PAD CONTACT AREA, 1.27μm MIN TIN ON PCB TAIL OVER 1.27μm MIN. NICKEL OVER ALL.  
POST: 1.27μm MIN NICKEL PLATED.

TABLE 1  
INTERCONNECTIONS WITH BACKPLANE CONNECTOR 2102735-1

TYPICAL INTERCONNECTIONS FOR ODD COLUMN (WAFER): 1, 3, 5, 7		
CONTACT USAGE	DAUGHTERCARD CONNECTOR PIN	BACKPLANE CONNECTOR PIN
SIGNAL PAIR	ax	ax
SIGNAL PAIR	bx	bx
SIGNAL PAIR	dx	ex
SIGNAL PAIR	ex	fx
SIGNAL PAIR	gx	ix
GROUND	cx, fx (ALL COMMONED)	cx, dx, gx, hx

TYPICAL INTERCONNECTIONS FOR EVEN COLUMN (WAFER): 2, 4, 6, 8		
CONTACT USAGE	DAUGHTERCARD CONNECTOR PIN	BACKPLANE CONNECTOR PIN
SIGNAL PAIR	bx	cx
SIGNAL PAIR	cx	dx
SIGNAL PAIR	ex	gx
SIGNAL PAIR	fx	hx
GROUND	ax, dx, gx, (ALL COMMONED)	ax, bx, ex, fx, ix

NOTE: "x" DESIGNATES THE COLUMN NUMBER



PC BOARD REAR TRANSITION MODULE (CONNECTOR SIDE)  
SCALE 8:1

△ 5	2102775-2
△ 2	2102775-1
PLATING	PART NO

THIS DRAWING IS A CONTROLLED DOCUMENT.		DMN: K. MILLER 04OCT2011	TE Connectivity	
DIMENSIONS: mm		CHK: K. THACKSTON 12JAN2012	RIGHT-ANGLE PLUG ASSY, 7 ROW, HALF LEFT END, 20.3mm, MULTIGIG RT 2-R DAUGHTERCARD CONNECTOR, VITA 46	
TOLERANCES UNLESS OTHERWISE SPECIFIED:		APVD: M. MALONIS 11SEP2012	NAME: RIGHT-ANGLE PLUG ASSY, 7 ROW, HALF LEFT END, 20.3mm, MULTIGIG RT 2-R DAUGHTERCARD CONNECTOR, VITA 46	
0 PLC ±0.5		PRODUCT SPEC: 108-2072	SIZE: CAGE CODE DRAWING NO. RESTRICTED TO	
2 PLC ±0.13		APPLICATION SPEC: 114-13056	SCALE: 8:1 SHEET 1 OF 1 REV C	
3 PLC ±0.13		WEIGHT: 5.41g	A100779C=2102775	
4 PLC ±0.13		Customer Drawing		
ANGLES ±1°				
MATERIAL: SEE TABLE				