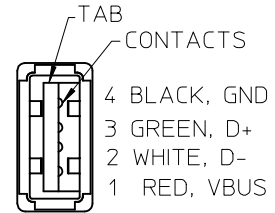
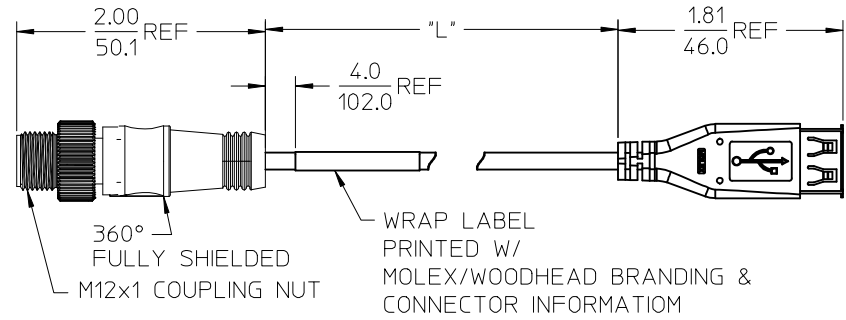
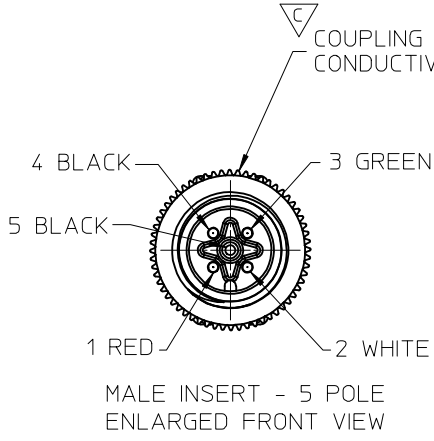
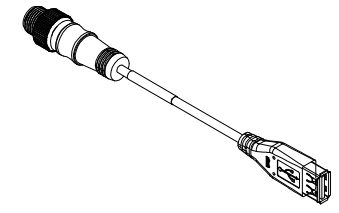
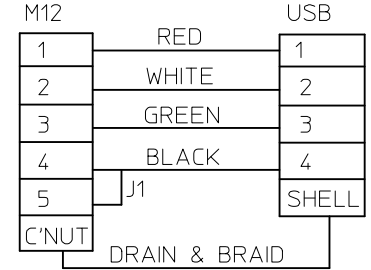


10	9	8	7
MATERIAL NO.	ENGINEERING NO.	LENGTH "L"	
1200661713	120066-1713	6'-7"+3.5-0" [2.0M +89.0-0]	



USB FEMALE
ENLARGED FRONT VIEW

CUSTOMER PRODUCTION APPROVAL
APPROVED BY: _____
DATE: _____
MUST BE SIGNED AND RETURNED BEFORE
PRODUCTION WILL BEGIN.



SPECIFICATIONS:

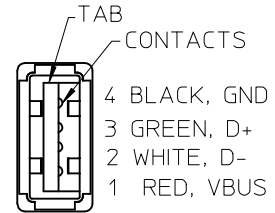
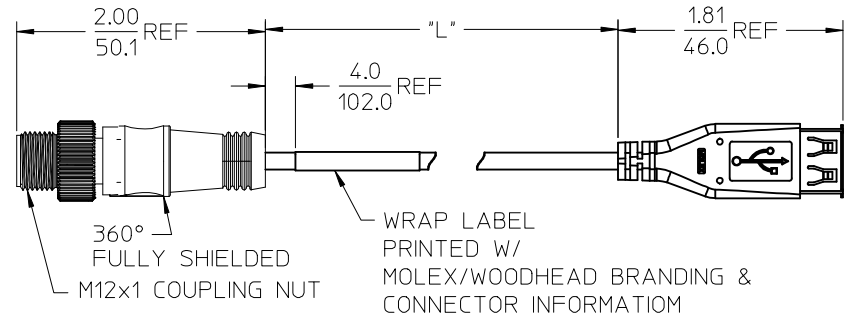
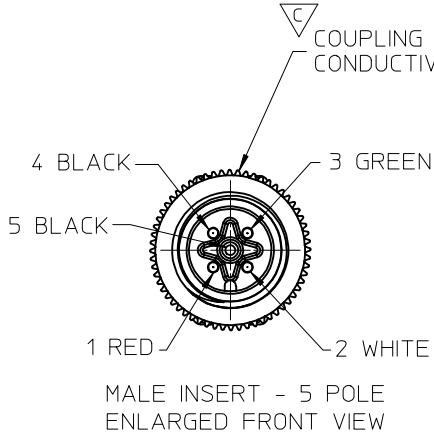
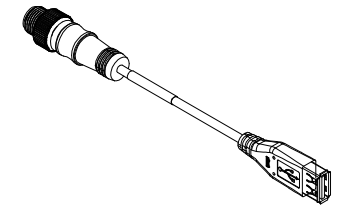
SHIELDED M12 THRU COUPLING NUT
COUPLING NUT MATERIAL: NICKEL PLATED BRASS
CONTACT MATERIAL: GOLD/NICKEL OVER COPPER ALLOY
INSERT MATERIAL: BLACK/PUR
O-RING: VITON
OVERMOLD* BLACK TPE

CABLE: USB 2.0 COMPLIANT, TYPE-A FEMALE
NOMINAL JACKET OD: 4.70mm
ELECTRICAL RATING: 30V, -40°C - 105°C, IP67
CONFORMS TO MOLEX ES-4000-5016 STANDARDS
RoHS COMPLIANT

SPR A201006233

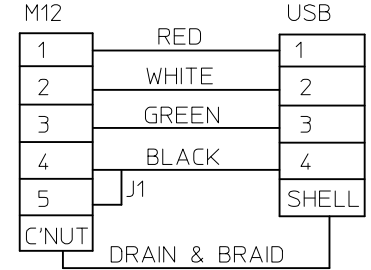
REV PIN NO'S END VIEW EC NO: IPG2018-0161 DRAWN: BRUPERT 2017/09/07 CHKD: APPR: BWOODMAN 2017/09/12	QUALITY SYMBOLS	GENERAL TOLERANCES (UNLESS SPECIFIED)	DIMENSION STYLE	SCALE	DESIGN UNITS	THIRD ANGLE PROJECTION	
	▽=0 ▽=1	mm INCH	IN/MM	1:1	INCH		
		4 PLACES ± --- ± --- 3 PLACES ± --- ± --- 2 PLACES ± --- ± --- 1 PLACE ± --- ± ---	DRAWN BY DATE B. RUPERT 12/30/09	DATE 12/30/09	TITLE M12-5P-M-STR-USB-F-2.0M SHIELDED		
		ANGULAR ±1/2°	CHECKED BY DATE B. WOODMAN 12/30/09	DATE 2010/01/07	MOLEX MOLEX INCORPORATED		
	DRAFT WHERE APPLICABLE MUST REMAIN WITHIN DIMENSIONS	MATERIAL NO. 1200661713	APPROVED BY JFMURPHY	DOCUMENT NO. SD-120066-1713	SHEET NO. 1 OF 1		
			THIS DRAWING CONTAINS INFORMATION THAT IS PROPRIETARY TO MOLEX INCORPORATED AND SHOULD NOT BE USED WITHOUT WRITTEN PERMISSION				

10	9	8	7
MATERIAL NO.	ENGINEERING NO.	LENGTH "L"	
1200661713	120066-1713	6'-7"+3.5-0" [2.0M +89.0-0]	



USB FEMALE
ENLARGED FRONT VIEW

CUSTOMER PRODUCTION APPROVAL
APPROVED BY: _____
DATE: _____
MUST BE SIGNED AND RETURNED BEFORE
PRODUCTION WILL BEGIN.



SPECIFICATIONS:

SHIELDED M12 THRU COUPLING NUT
COUPLING NUT MATERIAL: NICKEL PLATED BRASS
CONTACT MATERIAL: GOLD/NICKEL OVER COPPER ALLOY
INSERT MATERIAL: BLACK/PUR
O-RING: VITON
OVERMOLD* BLACK TPE

CABLE: USB 2.0 COMPLIANT, TYPE-A FEMALE
NOMINAL JACKET OD: 4.70mm
ELECTRICAL RATING: 30V, -40°C - 105°C, IP67
CONFORMS TO MOLEX ES-4000-5016 STANDARDS
RoHS COMPLIANT

SPR A201006233

REV PIN NO'S END VIEW EC NO: IPG2018-0161 DRAWN: BRUPERT 2017/09/07 CHKD: APPR: BWOODMAN 2017/09/12	QUALITY SYMBOLS	GENERAL TOLERANCES (UNLESS SPECIFIED)	DIMENSION STYLE	SCALE	DESIGN UNITS	THIRD ANGLE PROJECTION	
	▽=0 ▽=1	mm INCH	IN/MM	1:1	INCH		
		4 PLACES ± --- ± --- 3 PLACES ± --- ± --- 2 PLACES ± --- ± --- 1 PLACE ± --- ± ---	DRAWN BY DATE B. RUPERT 12/30/09 CHECKED BY DATE B. WOODMAN 12/30/09 APPROVED BY DATE JFMURPHY 2010/01/07	TITLE	M12-5P-M-STR-USB-F-2.0M SHIELDED		
		ANGULAR ±1/2°	MATERIAL NO. 1200661713	DOCUMENT NO. SD-120066-1713	MOLEX INCORPORATED		SHEET NO. 1 OF 1
		DRAFT WHERE APPLICABLE MUST REMAIN WITHIN DIMENSIONS	THIS DRAWING CONTAINS INFORMATION THAT IS PROPRIETARY TO MOLEX INCORPORATED AND SHOULD NOT BE USED WITHOUT WRITTEN PERMISSION				