

PART No MATRIX

8 R 4 J 3 0 X X X X X X X X

8R = Micro-Change Receptacle

Poles: 4 = 4 Poles

Heads style: J30 = Female contact, Female thread M12 PG9 Mounting Thread

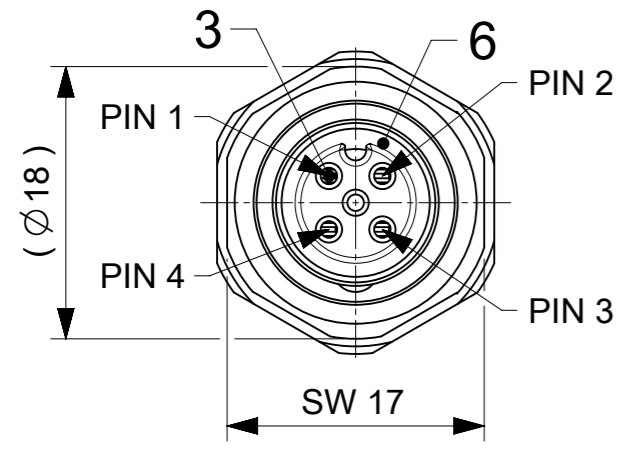
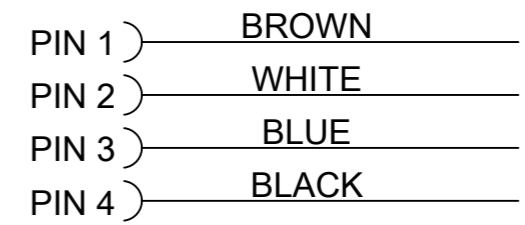
Cable: E03 - 22AWG

Units: M = Meter C = Centimeter

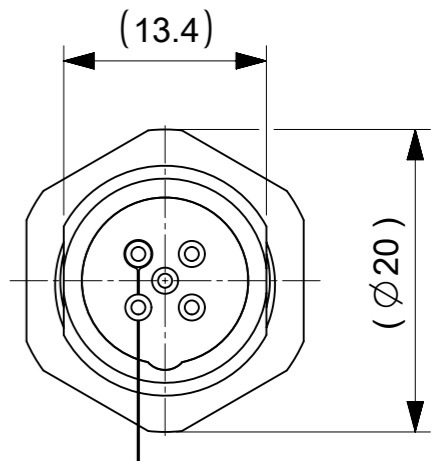
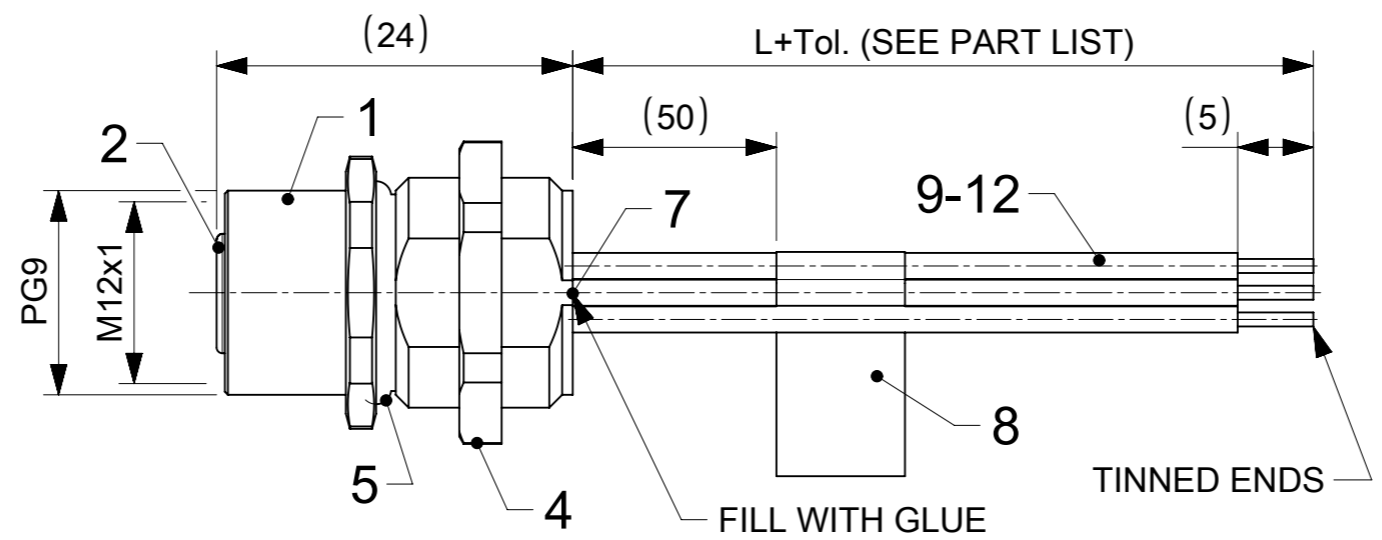
Length Examples: M005 = 0.5m M010 = 1m M020 = 2m C300 = 0.3m C500 = 0.5m

Nut material: 3= Brass Nickel Plated (Standard)

WIRING DIAGRAM

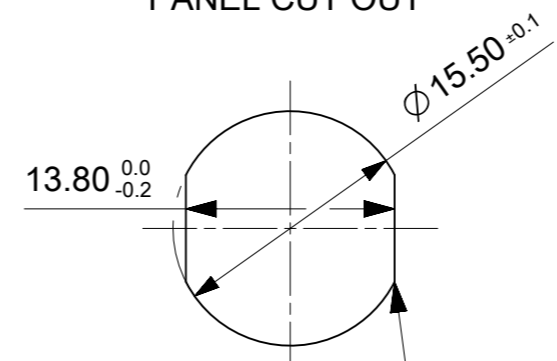


VIEW FROM THE FRONT SIDE



VIEW FROM THE BACK SIDE

RECOMMENDED PANEL CUT OUT



MAX. R 1.0 (4x)
DRAFT ANGLE 1°

NOTES:
ELECTRICAL DATA:
VOLTAGE RATING: 250V
AMPERAGE RATING: 4A
INSULATION RESISTANCE: 10⁸ Ω MIN.
MATING CYCLES: MAX. 100

ENVIRONMENTAL:
PROTECTION: IP67
OPERATING TEMPERATURE: -25°C TO +85°C

PART LIST

MOLEX PN	ENGINEERING NO	L+Tol.[mm]
1200700395	8R4J30E03C3003	300 +19
1200705053	8R4J30E03C300	300 +19
1200110756	8R4J30E03C5003	500 +45
1200705054	8R4J30E03C500	500 +45
1200705020	8R4J30E03M0103	1000 +56
1200705021	8R4J30E03M0203	2000 +89
1200110024	8R4J30E03M0403	4000 +165
1200708013	8R4J30E03M0703	7000 +165

BOM

ITEM	QTY	DESCRIPTION	MATERIAL	FINISH/MATERIAL
12	-	WIRES 22AWG	PVC	BLACK
11	-	WIRES 22AWG	PVC	WHITE
10	-	WIRES 22AWG	PVC	BLUE
9	-	WIRES 22AWG	PVC	BROWN
8	1	LABEL WRAP	VINYL	YELLOW
7	-	POTTING MATERIAL	WEVO	-
6	1	GASKET	FPM	RED
5	1	O-RING	NBR	BLACK
4	1	LOCKNUT PG9	BRASS	NICKEL PLATED
3	4	TERMINAL CONTACT	BRASS	Ni-PLATED
2	1	INSERT M12 5P FE	PUR	BLACK
1	1	REC SHELL M12(FE)xPG9(M)	BRASS	NICKEL PLATED

THIS DRAWING CONTAINS INFORMATION THAT IS PROPRIETARY TO MOLEX ELECTRONIC TECHNOLOGIES, LLC AND SHOULD NOT BE USED WITHOUT WRITTEN PERMISSION

FUNCTIONAL SYMBOLS: $\nabla_A = 0$, $\nabla_E = 0$, $\nabla_F = 0$

DIVISIONAL SYMBOLS: 4 PLACES ±, 3 PLACES ±, 2 PLACES ± 0.05, 1 PLACE ± 0.3, 0 PLACES ± 0.5

THIRD ANGLE PROJECTION:

DRAWING: A3-SIZE

SERIES: 120011

SCALE: 2:1

GENERAL TOLERANCES (UNLESS SPECIFIED): ANGULAR TOL ± 1.0°

EC NO: 686082
DRWN: MDHARMANTI 2021/11/17
CHK'D: RSILLER 2021/11/19
APPR: RSILLER 2021/11/19

INITIAL REVISION:
DRWN: MDHARMANTI 2021/11/17
APPR: RSILLER 2021/11/19

PRODUCT CUSTOMER DRAWING

DOCUMENT NUMBER: 1200110024

DOC TYPE: PSD

DOC PART: 000

REVISION: A

MATERIAL NUMBER: SEE PART LIST

CUSTOMER: GENERAL MARKET

SHEET NUMBER: 1 OF 1