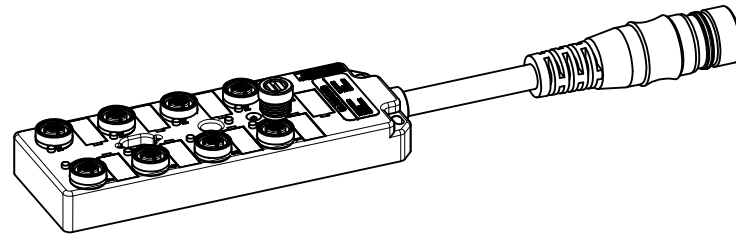


Table 2 of length tolerances

Over	Up to and including	Tolerance (+)
0	305	+19
305	915	+45
915	1830	+56
1830	3660	+89
3660	7320	+165
7320	14640	+317
14640	30500	+622
30500	>	+2% of length

CUTAWAY-2

CUTAWAY-1



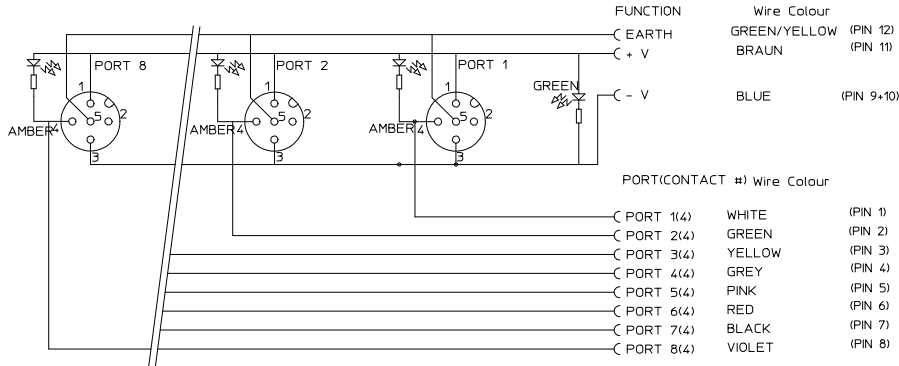
ITEM	QTY	DESCRIPTION	MATERIAL
1	1	HOUSING	PBT YELLOW
2	8	SHELL	NICKEL PLATED BRASS
3	2	PROTECTING CAP	PP
4	8	O_RING	VITRON
5	9	FIBER OPTIC	GRILLAMID
6	1	PCB	-
7	32	CONTACT	GOLD PLATED BRASS
8	1	CABLE PLATE	PBT YELLOW
9	9	LABEL	ABS
10	-	POTTING MATERIAL	RESIN PU55FL
11	-	POTTING MATERIAL	RESIN HARDENER
12	-	SEE TABLE 1	-
13	1	OVERMOLDING	TPU BLACK
14	1	INSERT	NICKEL OVER BRASS
15	1	INSERT	Pg BLACK
16	4	CONTACT	GOLD PLATED BRASS
17	8	CONTACT	GOLD PLATED BRASS
18	1	O_RING	NBR BLACK
19	1	O-RING	NBR BLACK

ENTER DESCRIPTION EC NO: IPG2012-0918 DRAWN: ULETENMEIER 2012/05/22 CHKD: RSTILLER 2012/05/23 APPR: CBURGER 2012/05/29	QUALITY SYMBOLS = 0 = 0	GENERAL TOLERANCES (UNLESS SPECIFIED)		DIMENSION STYLE MM ONLY	SCALE 1:1	DESIGN UNITS METRIC	THIRD ANGLE PROJECTION														
		<table border="1"> <thead> <tr> <th></th> <th>mm</th> <th>INCH</th> </tr> </thead> <tbody> <tr> <td>4 PLACES</td> <td>± ---</td> <td>± ---</td> </tr> <tr> <td>3 PLACES</td> <td>± ---</td> <td>± ---</td> </tr> <tr> <td>2 PLACES</td> <td>± 0.1</td> <td>± ---</td> </tr> <tr> <td>1 PLACE</td> <td>± 0.2</td> <td>± ---</td> </tr> </tbody> </table>		mm	INCH	4 PLACES	± ---	± ---	3 PLACES	± ---	± ---	2 PLACES	± 0.1	± ---	1 PLACE	± 0.2	± ---	DRAWN BY: ULETENMEIER DATE: 2011/10/24	TITLE MPIS M12 M23 PNP NPN 4P 8PT 12P AC FE STR MA PUR MA XM		
			mm	INCH																	
		4 PLACES	± ---	± ---																	
3 PLACES	± ---	± ---																			
2 PLACES	± 0.1	± ---																			
1 PLACE	± 0.2	± ---																			
ANGULAR ± 2 °	CHECKED BY: ZISMAYILOV DATE: 2011/12/14	APPROVED BY CBURGER 2011/12/20																			
DRAFT WHERE APPLICABLE MUST REMAIN WITHIN DIMENSIONS	SEE TABLE 1	MATERIAL NO. SEE TABLE 1	DOCUMENT NO. SD-120005-016	SHEET NO. 1 OF 2																	

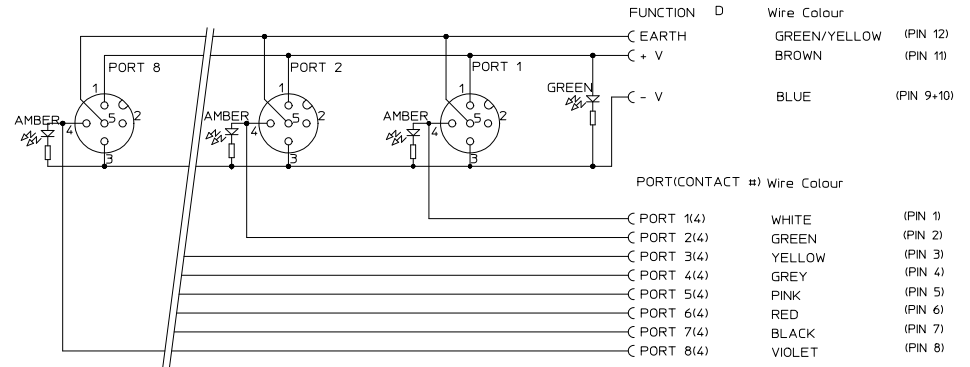
TABLE 1

MOLEX PN	ENG. NO.	DESCRIPTION	CABLE	L - length[M]
1200580073	BTY817N-FBP-003	MPIS M12 M23 NPN 4P 8PT 12P AC FE STR PUR MA STR 0,3M	M12M-cable8x0.34+3x0.75 blk PUR	0.3
1200051029	BTY817P-FBP-003	MPIS M12 M23 PNP 4P 8PT 12P AC FE STR PUR MA STR 0,3M	M12M-cable8x0.34+3x0.75 blk PUR	0.3

Wiring Diagram NPN



Wiring Diagram PNP



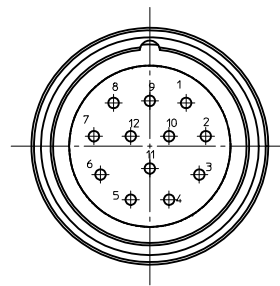
GENERAL CHARACTERISTICS:

NOMINAL VOLTAGE: 10-30 V DC
 RATED VOLTAGE: 32 V EFF.
 POLLUTION DEGREE: 3
 RATED CURRENT: 4 A PER PORT / 12 A MAX: TOTAL
 CONTACT RESISTANCE: >= 5 mOHM
 ISULATION RESISTANCE: > 10⁹ OHM
 IP DEGREE OF PROTECTION: IP 68 REFER TO TEST SUMMARY TS-120005-016

TEMPERATURE RANGE: WITH PUR CABLE (CABLE PUR BLK 3X0.75 8X0.34 SM) -5°C / +90°C
 WITH PVC CABLE (ROVV 19AWGx3C+22AWGx8C) -10°C / +80°C

FLAMMABILITY: Insert: V0
 HOUSING: V0

PACKAGING: CABLE LENGTH OVER 5M: BAG, STRINGED, 450X500
 P/N: 908487016
 CABLE LENGTH UP TO 5M: BAG 200X300X 05
 P/N: 908486937



CONNECTOR FACE VIEW

ENTER DESCRIPTION EC NO: IPG2012-0918 DRW:ULETTENMEIER 2012/05/22 CHK:D-RSTILLER 2012/05/23 APPR:CBURGER 2012/05/29	QUALITY SYMBOLS ▽=0 ◻=0	GENERAL TOLERANCES (UNLESS SPECIFIED)		DIMENSION STYLE MM ONLY		SCALE 1:1	DESIGN UNITS METRIC	THIRD ANGLE PROJECTION	
		4 PLACES ± --- ± ---	3 PLACES ± --- ± ---	DRAWN BY ULETTENMEIER 2011/10/24	DATE	TITLE MPIS M12 M23 PNP NPN 4P 8PT 12P AC FE STR MA PUR MA XM			
		2 PLACES ± 0.1 ± ---	1 PLACE ± 0.2 ± ---	CHECKED BY ZISMAYILOV 2011/12/14	DATE	MOLEX INCORPORATED			
		ANGULAR ± 2 °		APPROVED BY CBURGER 2011/12/20	DATE	MATERIAL NO. SEE TABLE 1	DOCUMENT NO. SD-120005-016	SHEET NO. 2 OF 2	
DRAFT WHERE APPLICABLE MUST REMAIN WITHIN DIMENSIONS		SIZE A3		THIS DRAWING CONTAINS INFORMATION THAT IS PROPRIETARY TO MOLEX INCORPORATED AND SHOULD NOT BE USED WITHOUT WRITTEN PERMISSION					