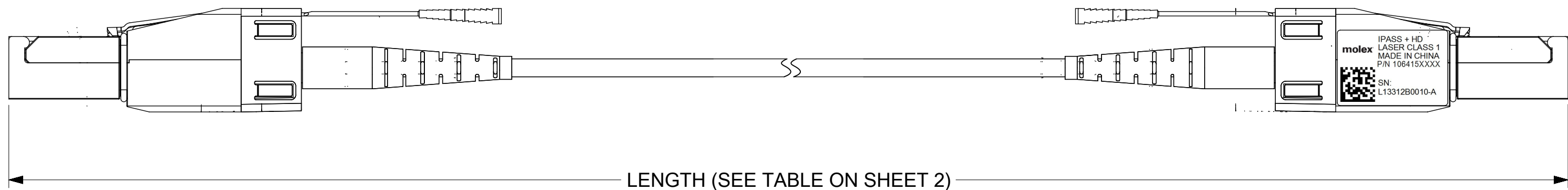
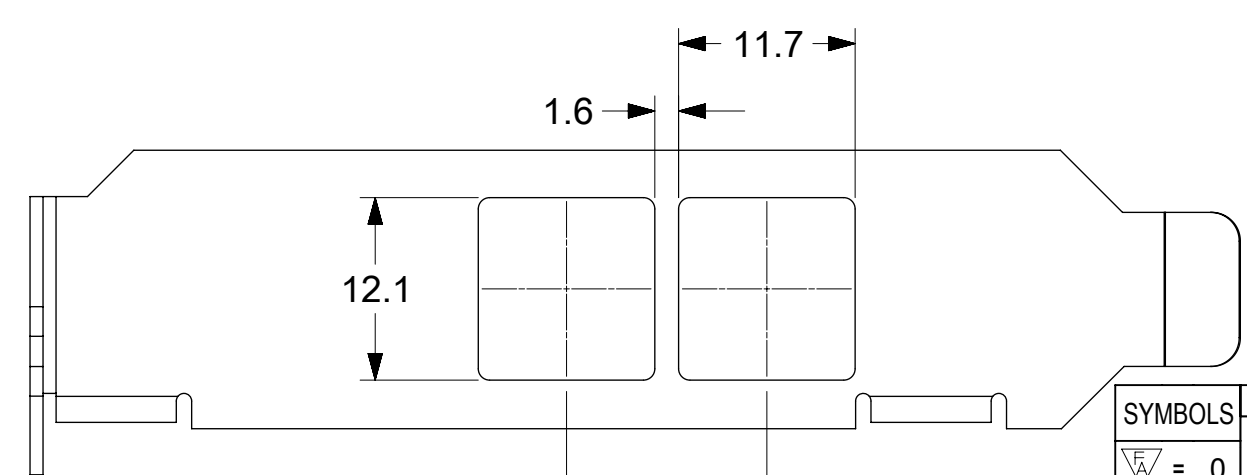
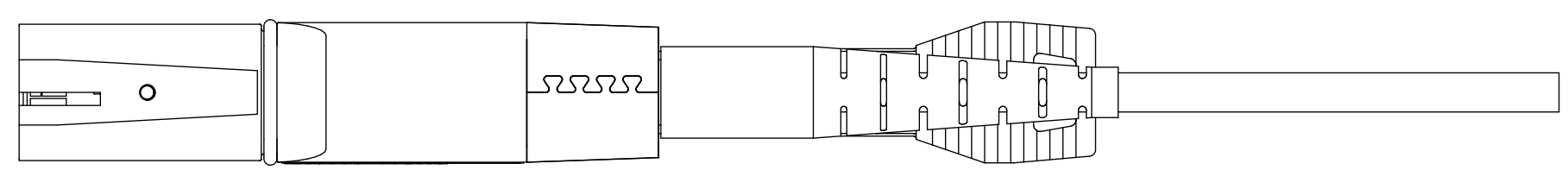
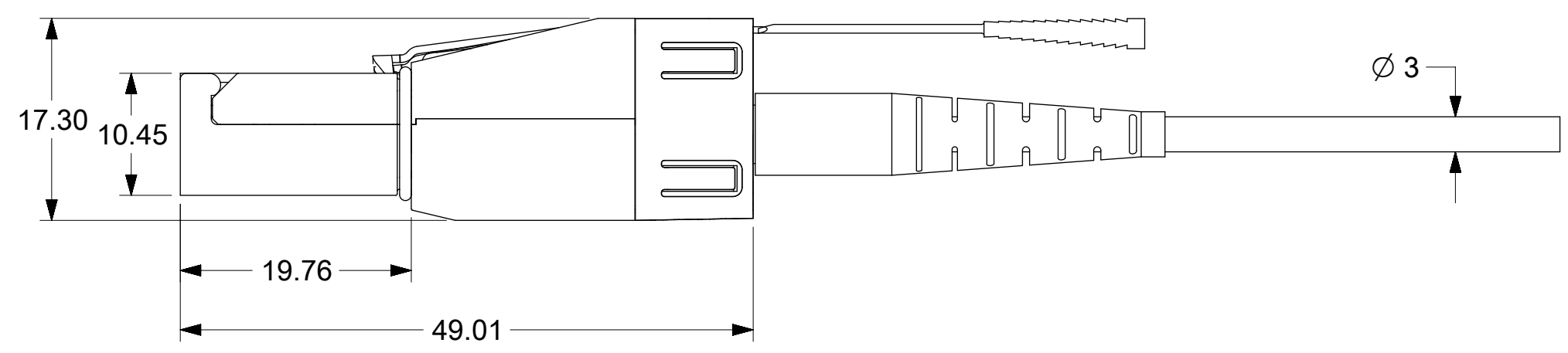
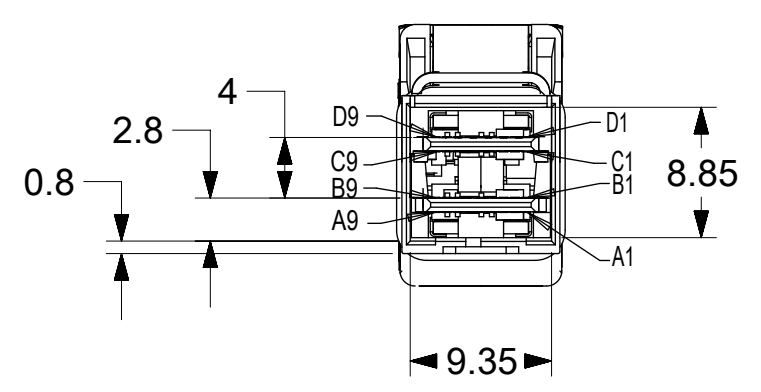
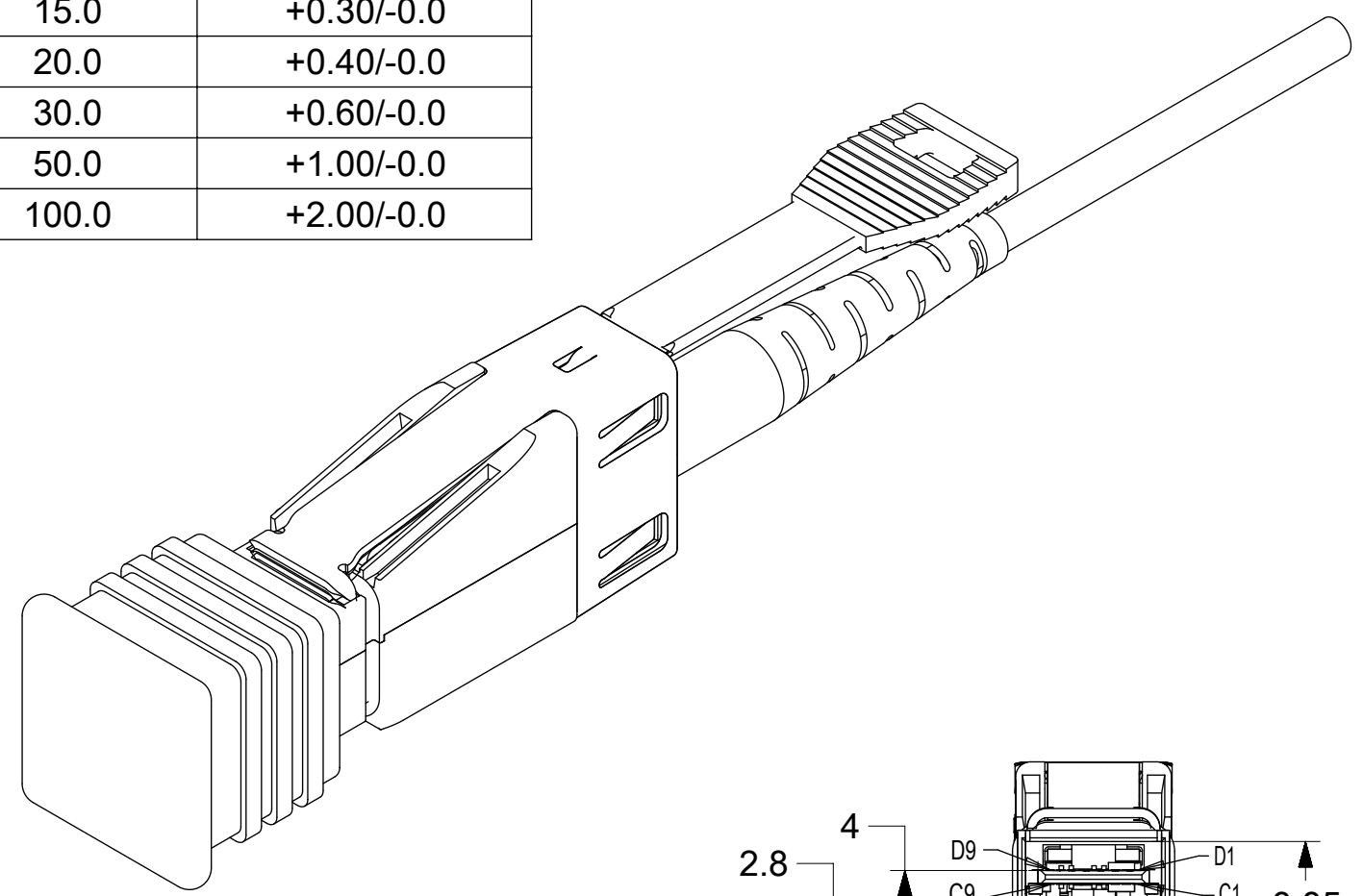
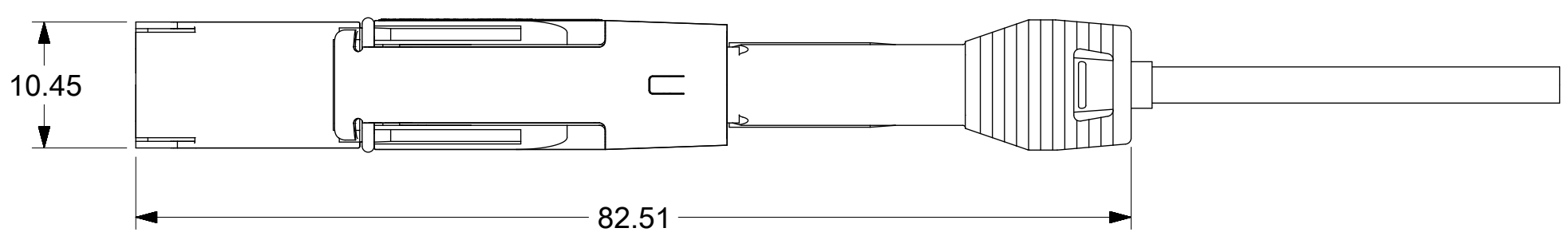


ASSEMBLY P/N	LENGTH (METERS)	TOLERANCE (METERS)
1064152101	1.0	+0.2/-0.0
1064152102	2.0	+0.2/-0.0
1064152103	3.0	+0.2/-0.0
1064152104	4.0	+0.2/-0.0
1064152105	5.0	+0.25/-0.0
1064152106	6.0	+0.25/-0.0
1064152107	7.0	+0.25/-0.0
1064152108	8.0	+0.25/-0.0
1064152110	10.0	+0.30/-0.0
1064152115	15.0	+0.30/-0.0
1064152120	20.0	+0.40/-0.0
1064152130	30.0	+0.60/-0.0
1064152150	50.0	+1.00/-0.0
1064152199	100.0	+2.00/-0.0



JUMPER VIEW  
SCALE 1.5:1



SHIELDED INTEGRATED HD CONNECTOR MINIMUM PITCH

SCALE 2:1

- NOTES:
- MATERIALS:  
BACKSHELLS - ZINC DIECAST WITH NICKEL PLATING.  
LATCH - STAINLESS STEEL.  
PULL - MOLDED PLASTIC, 279C (BLUE)
  - CABLE TYPE PLENUM (OFNP) WITH 8 MULTIMODE FIBERS, MINIMUM BEND RADIUS 25mm, FIBER CORE 50/125um OM3, CABLE JACKET COLOR-AQUA, DIAMETER 3.2mm MAX.
  - ELECTRICAL AND MECHANICALS PER SFF-8644 AND SFF-8636
  - PLUG MATES TO 1X1, 1X2 AND 1X4 RECEPTACLE - EMI HOUSING ASSEMBLY SERIES.
  - THIS PRODUCT COMPLIES WITH EU RoHS PER DIRECTIVE 2011/65/EU AND ITS SUBSEQUENT AMENDMENTS, INCLUDING THE DIRECTIVE EU 2015/863.

THIS DRAWING CONTAINS INFORMATION THAT IS PROPRIETARY TO MOLEX ELECTRONIC TECHNOLOGIES, LLC AND SHOULD NOT BE USED WITHOUT WRITTEN PERMISSION									
SYMBOLS		DIMENSION UNITS	SCALE	CURRENT REV DESC:					
▽ = 0	mm	1:1	EC NO: 622328						
▽ = 0	GENERAL TOLERANCES (UNLESS SPECIFIED)			DRWN: IGUMIN 2019/08/12					
▽ = 0	ANGULAR TOL ± °			CHK'D: SSUN23 2019/08/16					
▽ = 0	4 PLACES ±			APPR: SSUN23 2019/08/16					
▽ = 0	3 PLACES ±			INITIAL REVISION:					
▽ = 0	2 PLACES ±			DRWN: MAGHAYERE01 2016/03/04					
▽ = 0	1 PLACE ±			APPR: IGUMIN 2016/03/16					
▽ = 0	0 PLACES ±			DRAFT WHERE APPLICABLE MUST REMAIN WITHIN DIMENSIONS		THIRD ANGLE PROJECTION		DRAWING SERIES	
▽ = 0	C-SIZE		106415			MATERIAL NUMBER		CUSTOMER	
DOCUMENT STATUS				P1		RELEASE DATE		2019/08/16 17:42:58	
DOCUMENT NUMBER				1064152105		DOC TYPE		PSD	
SHEET NUMBER				1 OF 1		DOC PART		000	
REVISION				A3		REVISION			