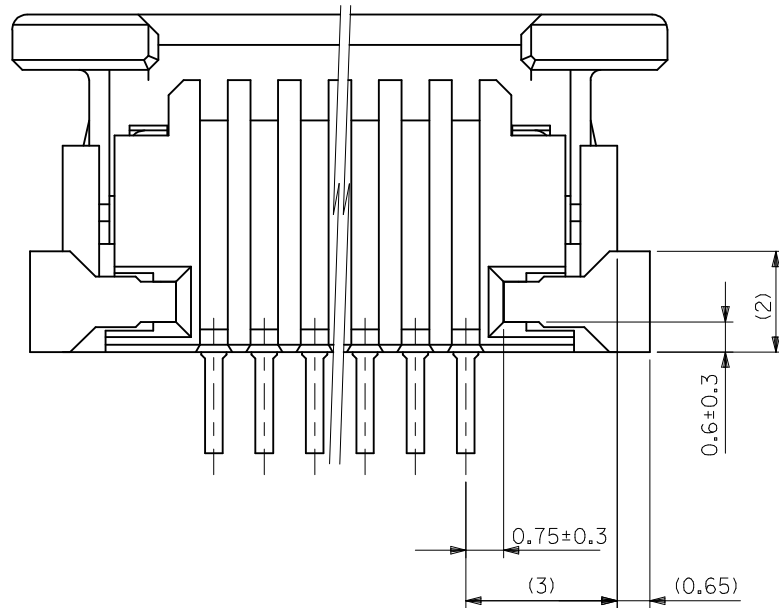


- 注記 NOTES**
- △ 接点部までの嵌合長さ。 LENGTH TO CONTACT POINT.
  - 2. 使用材料 MATERIAL
    - ハウジング : 46ナイロン, UL94V-0
    - ハウジング HOUSING : 46NYLON, UL94V-0
    - アクチュエータ : PPS, UL94V-0
    - アクチュエータ ACTUATOR : PPS, UL94V-0
    - ターミナル : リン青銅 (t=0.25)
    - ターミナル TERMINAL : PHOS-BRO.(t=0.25)
    - メッキ : Sn-Pb(9:1), 下地Cu
    - メッキ PLATING : Sn-Pb(9:1), Cu(UNDER PLATING)
    - 金具 : 銅合金 (t=0.25)
    - 金具 FITTING NAIL : COPPER ALLOY (t=0.25)
    - メッキ : Sn-Pb(9:1), 下地Cu
    - メッキ PLATING : Sn-Pb(9:1), Cu(UNDER PLATING)
  - △ パターンはくり止め用金具。 FITTING NAIL FOR PREVENTION OF PEELING OF P.C.B.PATTERN.
  - 4. エンボステープ梱包時は、アクチュエータがロックした状態とする。 WHEN CONNECTOR IS SHIPPED, ACTUATOR SHOULD BE LOCKED.

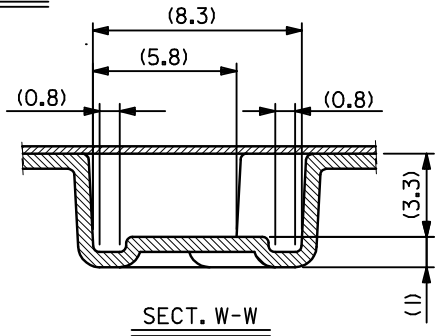
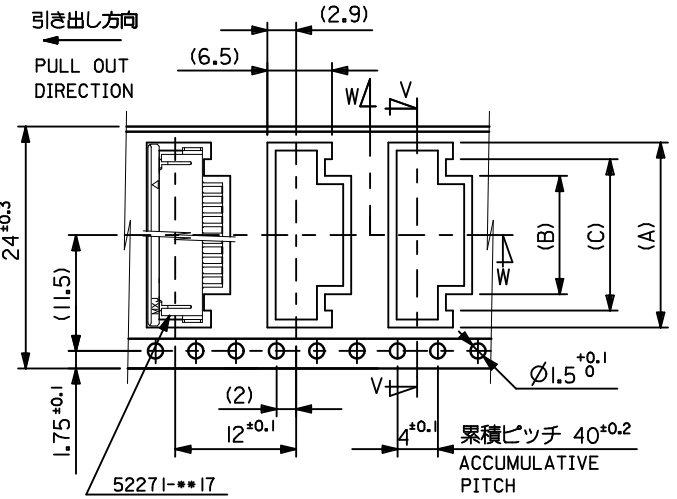
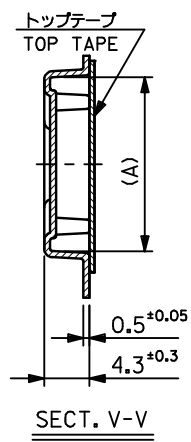
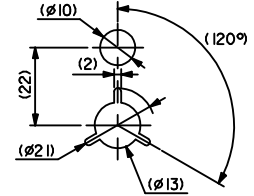
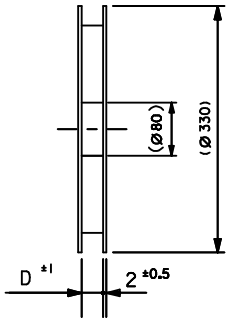
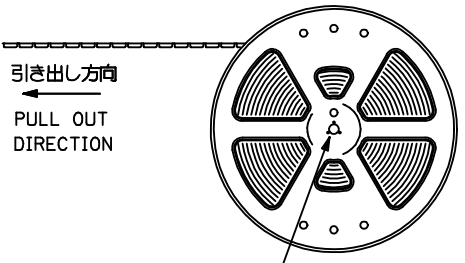
35	31.2	29	52271-3017	30
31	27.2	25	-2617	26
29	25.2	23	-2417	24
28	24.2	22	-2317	23
22	18.2	16	-1717	17
20	16.2	14	-1517	15
18	14.2	12	-1317	13
16	12.2	10	-1117	11
15	11.2	9	-1017	10
14	10.2	8	-0917	9
13	9.2	7	-0817	8
10	6.2	4	52271-0517	5
C	B	A	ENG. NO.	種数 CKT.

REVISED EC NO: J2016-1029 DRWN: SKITAZAWA 2016/04/04 CHKD: APPR: TKUJHARA01 2016/04/15	GENERAL TOLERANCES (UNLESS SPECIFIED)		DIMENSION STYLE MM ONLY		SCALE ---	DESIGN UNITS METRIC	TITLE 1.0 FPC CONN ZIF SMT (BOTTOM CONTACT)
	0.25 UNDER	UNDER	±0.2	DRAWN BY TNIITSU	DATE 1996/10/15	THIRD ANGLE PROJECTION	
	0.25 OVER	0.5 UNDER	±0.2	CHECKED BY MFUKUSHIMA	DATE 1997/07/14		
	0.5 OVER	1.0 UNDER	±0.2	APPROVED BY KMORIKAWA	DATE 2011/02/22		
1.0 OVER	10 UNDER	±0.2	MATERIAL NO.		DOCUMENT NO.		SHEET NO.
10 OVER	30 UNDER	±0.25	SEE CHART		SD-52271-042	1 OF 2	
30 OVER		±0.3	SIZE A3		THIS DRAWING CONTAINS INFORMATION THAT IS PROPRIETARY TO MOLEX ELECTRONIC TECHNOLOGIES, LLC AND SHOULD NOT BE USED WITHOUT WRITTEN PERMISSION		
ANGULAR		±3 °					
DRAFT WHERE APPLICABLE MUST REMAIN WITHIN DIMENSIONS							



下面図

SEE SHEET 1 OF 2 EC NO: J2016-1029 DRWNSKI:TAZAWA 2016/04/04 CHKD: APPR:TKUJHARA01 2016/04/15	GENERAL TOLERANCES (UNLESS SPECIFIED)			DIMENSION STYLE MM ONLY		SCALE ---	DESIGN UNITS METRIC	THIRD ANGLE PROJECTION	
	0.25 UNDER	UNDER	±0.2	DRAWN BY	DATE	TITLE			
	0.25 OVER	0.5 UNDER	±0.2	TNIITSU	1996/10/15	1.0 FPC CONN ZIF SMT (BOTTOM CONTACT)			
	0.5 OVER	1.0 UNDER	±0.2	CHECKED BY	DATE	<div style="text-align: center; font-weight: bold; font-size: 1.2em;">molex</div> DOCUMENT NO. SD-52271-042 SHEET NO. 2 OF 2			
	1.0 OVER	10 UNDER	±0.2	MFUKUSHIMA	1997/07/14				
10 OVER	30 UNDER	±0.25	APPROVED BY	DATE	THIS DRAWING CONTAINS INFORMATION THAT IS PROPRIETARY TO MOLEX ELECTRONIC TECHNOLOGIES, LLC AND SHOULD NOT BE USED WITHOUT WRITTEN PERMISSION				
30 OVER		±0.3	KMORIKAWA	2011/02/22					
ANGULAR	±3 °		MATERIAL NO.		SEE SHEET 1 OF 2				
DRAFT WHERE APPLICABLE MUST REMAIN WITHIN DIMENSIONS			SIZE A3						

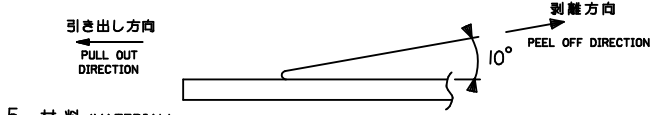


NOTES

- 製品番号 52271-\*\*\*17 の梱包状態はアクチュエータがロックした状態とする。  
詳細寸法については 図面 SD-52271-042 を参照下さい。  
IN THE PACKAGE, ACTUATOR OF PART NO. 52271-\*\*\*17 SHOULD BE LOCKED RE DETAILED DIMENSIONS, SEE SD-52271-042
- 梱包数量：1000個/リール  
NUMBER OF CONNECTORS：1000 PCS/REEL
- リードテープ長さ LEAD TAPE LENGTH  

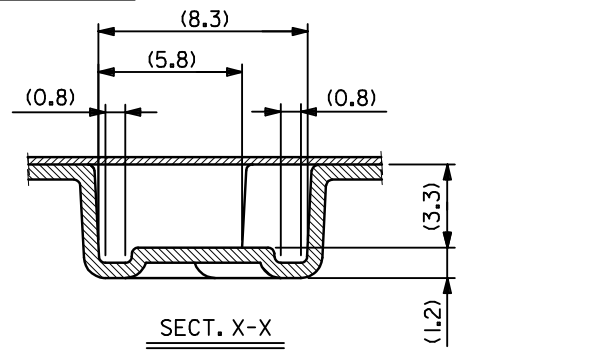
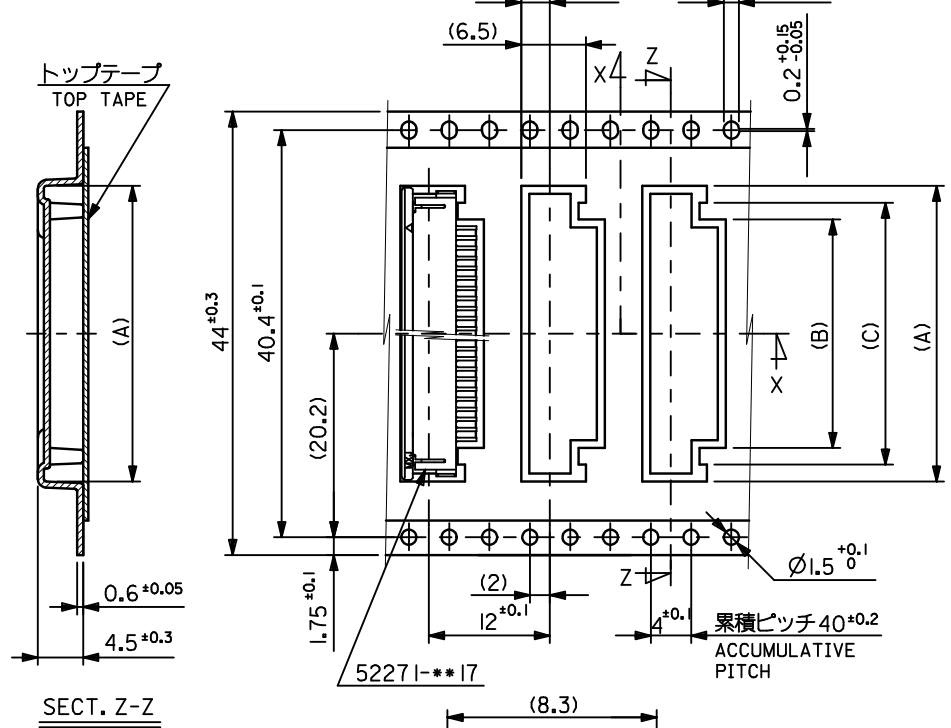
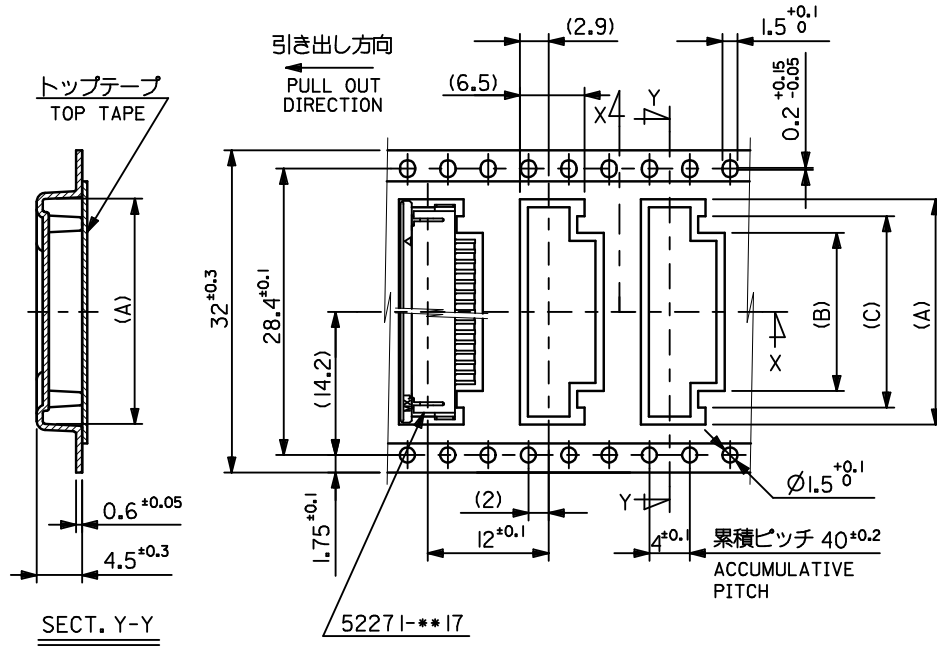
トップテープ リーダー部 TOP TAPE LEADER PART	トップテープ 未接着部 TOP TAPE NON-BONDED PART
175 ±25	25 ±5
- トップテープの剥離強度：60gf MAX. (剥離方向は下図参照)  
尚、本規格値は、出荷時に適用。(但し、輸送時に剥離が発生しない事。)  
PEELING OFF FORCE OF TOP TAPE：60gf MAX.  
(PEELING DIRECTION AS SHOWN IN FOLLOWING FIG.)  
THIS REQUIREMENT SHOULD BE APPLIED AT SHIPMENT  
PEEL OFF SHOULD NOT BE ALLOWED, DURING TRANSPORTATION  

リーダ部 (空部) LEADER PART (EMPTY)	部品挿入部 COMPONENT SUPPLIER	末端部 (空部) TAIL PART (EMPTY)
120 ±20		150 ±40
- 材料 (MATERIAL)  
キャリアテープ (CARRIER TAPE)：ポリプロピレン (POLYPROPYLENE)  
トップテープ (TOP TAPE)：PET, PE, PEF  
リール (REEL)：ポリスチレン (PS) <リサイクル材を含む>  
POLYSTYREN (PS) <RECYCLE MATERIAL CONTAINED>



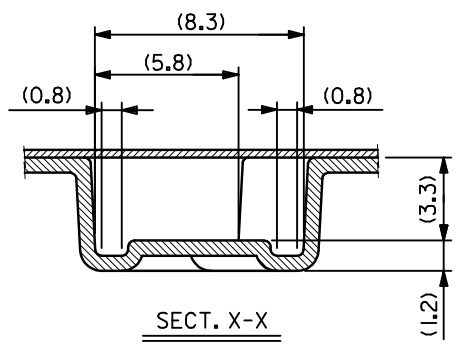
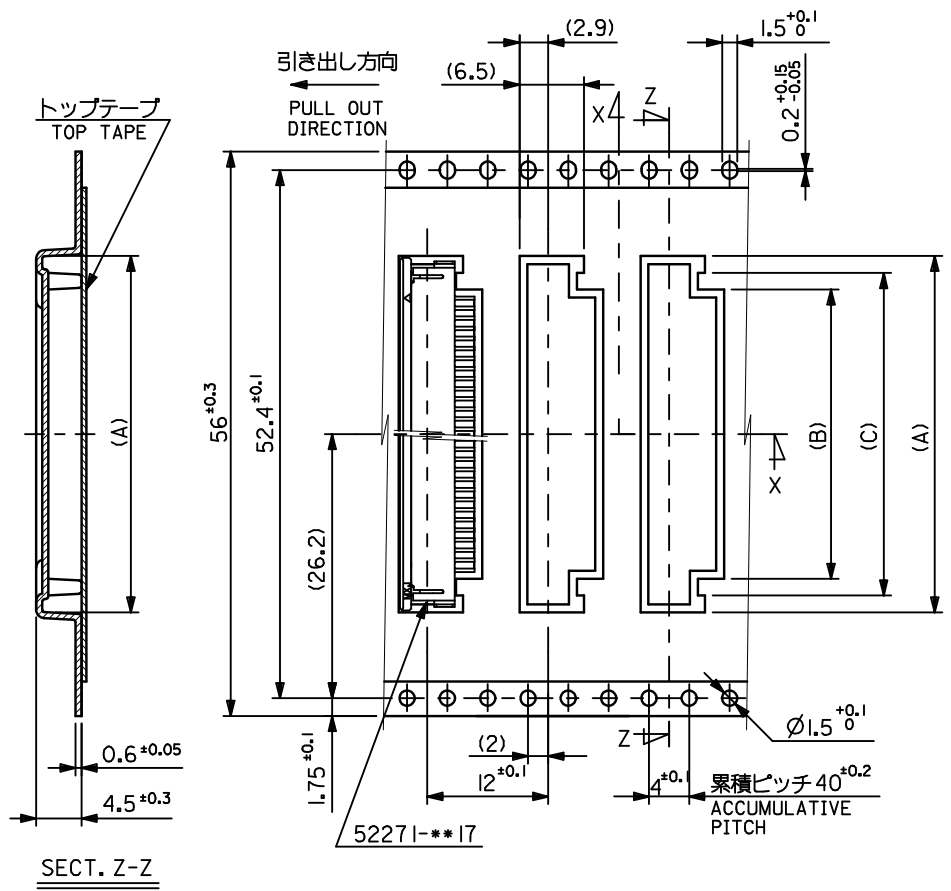
24	25.5	15	11.4	18.3	52271-1190	11	
		14	10.4	17.3	-1090	10	
		13	9.4	16.3	-0990	9	
		12	8.4	15.3	-0890	8	
		9	5.4	12.3	52271-0590	5	
キャリアテープ幅 CARRIER TAPE WIDTH		D	(C)	(B)	(A)	MATERIAL NO.	極数 CKT.

REVISED EC NO: J2016-1029 DRWN: SKITAZAWA 2016/04/04 CHKD: APPR: IKUSUHARA01 2016/04/15	DESCRIPTION	GENERAL TOLERANCES (UNLESS SPECIFIED)			DIMENSION STYLE		SCALE	DESIGN UNITS		THIRD ANGLE PROJECTION
					MM ONLY		---	METRIC		
		0.25 UNDER	UNDER	±0.2	DRAWN BY	DATE	TITLE			
		0.25 OVER	0.5 UNDER	±0.2	STADOKORO	1988/09/29	EMBOSSED TAPE PACKAGE FOR 52271-***17			
		0.5 OVER	1.0 UNDER	±0.2	CHECKED BY	DATE				
1.0 OVER	10 UNDER	±0.2	SKUNISHI	2000/12/20						
10 OVER	30 UNDER	±0.25	APPROVED BY	DATE						
30 OVER		±0.3	KMORIKAWA	2011/02/22						
ANGULAR ±3 °			MATERIAL NO.		SEE CHART		DOCUMENT NO.		SHEET NO.	
DRAFT WHERE APPLICABLE MUST REMAIN WITHIN DIMENSIONS			SIZE A3		THIS DRAWING CONTAINS INFORMATION THAT IS PROPRIETARY TO MOLEX ELECTRONIC TECHNOLOGIES, LLC AND SHOULD NOT BE USED WITHOUT WRITTEN PERMISSION		SD-52271-043		1 OF 3	



44	45.5	30	26.4	33.35	52271-2690	26
		28	24.4	31.35	-2490	24
		27	23.4	30.35	-2390	23
		21	17.4	24.35	-1790	17
32	33.5	19	15.4	22.35	-1590	15
		17	13.4	20.35	52271-1390	13
		(C)	(B)	(A)	MATERIAL NO.	種数 CKT.

REVISED EC NO.: J2016-1029 DRWN: SKITAZAWA 2016/04/04 CHKD: APPR: KUSUHARA01 2016/04/15	GENERAL TOLERANCES (UNLESS SPECIFIED)		DIMENSION STYLE MM ONLY		SCALE ---	DESIGN UNITS METRIC	THIRD ANGLE PROJECTION
	0.25 UNDER	UNDER	±0.2	DRAWN BY STADOKORO	DATE 1988/09/29	TITLE EMBOSSSED TAPE PACKAGE FOR 52271-**-17	
	0.25 OVER	0.5 UNDER	±0.2	CHECKED BY SKUNISHI	DATE 2000/12/20		
	0.5 OVER	1.0 UNDER	±0.2	APPROVED BY KMORIKAWA	DATE 2011/02/22		
	1.0 OVER	10 UNDER	±0.2	MATERIAL NO.	DOCUMENT NO. SD-52271-043		SHEET NO. 2 OF 3
10 OVER	30 UNDER	±0.25	SEE CHART				
30 OVER		±0.3	DRAFT WHERE APPLICABLE MUST REMAIN WITHIN DIMENSIONS		THIS DRAWING CONTAINS INFORMATION THAT IS PROPRIETARY TO MOLEX ELECTRONIC TECHNOLOGIES, LLC AND SHOULD NOT BE USED WITHOUT WRITTEN PERMISSION		
	ANGULAR	±3 °	SIZE A3				



56	57.5	34	30.4	37.35	52271-3090	30
キャリアテープ幅 CARRIER TAPE WIDTH	D	(C)	(B)	(A)	MATERIAL NO.	種数 CKT.
DIMENSION STYLE MM ONLY		SCALE ---	DESIGN UNITS METRIC		THIRD ANGLE PROJECTION	
GENERAL TOLERANCES (UNLESS SPECIFIED)		TITLE EMBOSSD TAPE PAKEGE FOR 52271-**-17				
0.25 UNDER	UNDER	±0.2	DRAWN BY STADOKORO			
0.25 OVER	0.5 UNDER	±0.2	DATE 1988/09/29			
0.5 OVER	1.0 UNDER	±0.2	CHECKED BY SKUNISHI			
1.0 OVER	30 UNDER	±0.2	DATE 2000/12/20			
30 OVER		±0.25	APPROVED BY KMORIKAWA			
ANGULAR	±3 °		DATE 2011/02/22			
DRAFT WHERE APPLICABLE MUST REMAIN WITHIN DIMENSIONS		MATERIAL NO.		DOCUMENT NO.		
REVISED		SEE CHART		molex		
EC NO: J2016-1029		SIZE A3		SD-52271-043		
DRWN:SKITAZAWA 2016/04/04		THIS DRAWING CONTAINS INFORMATION THAT IS PROPRIETARY TO MOLEX ELECTRONIC TECHNOLOGIES, LLC AND SHOULD NOT BE USED WITHOUT WRITTEN PERMISSION				
CHKD:		SHEET NO. 3 OF 3				
APPR:KUSUHARA01 2016/04/15						