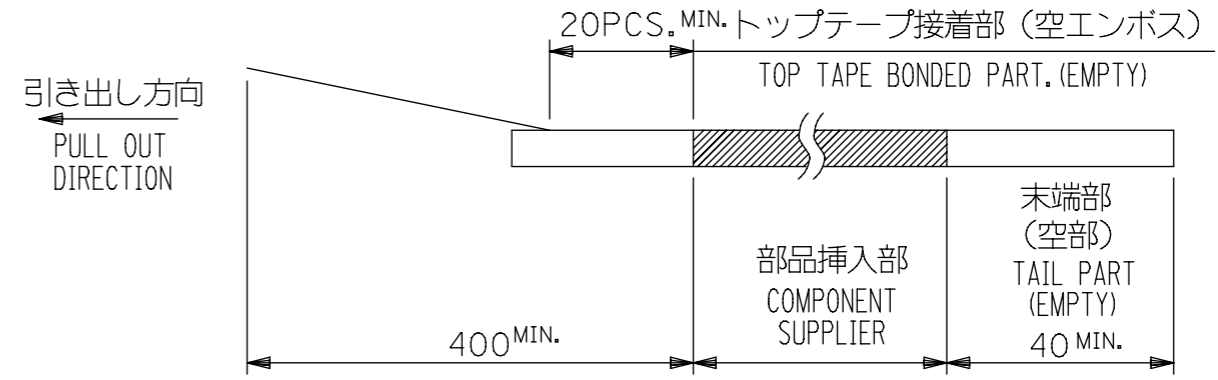
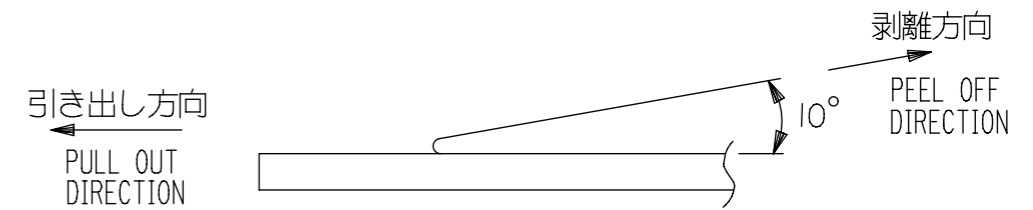


NOTES

- 製品詳細寸法については図面 512811000-SD を参照下さい。  
RE DETAILED DIMENSION, SEE 512811000-SD
- 梱包数量：3000個/リール  
NUMBER OF CONNECTORS : 3000PCS/REEL
- リードテープ長さ LEAD TAPE LENGTH

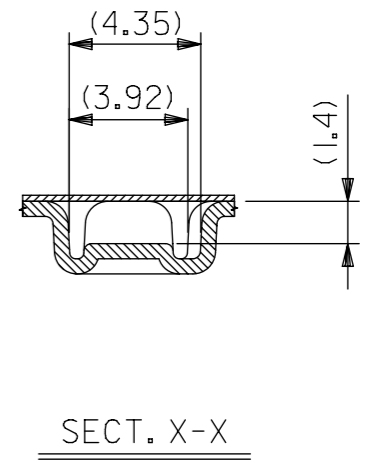
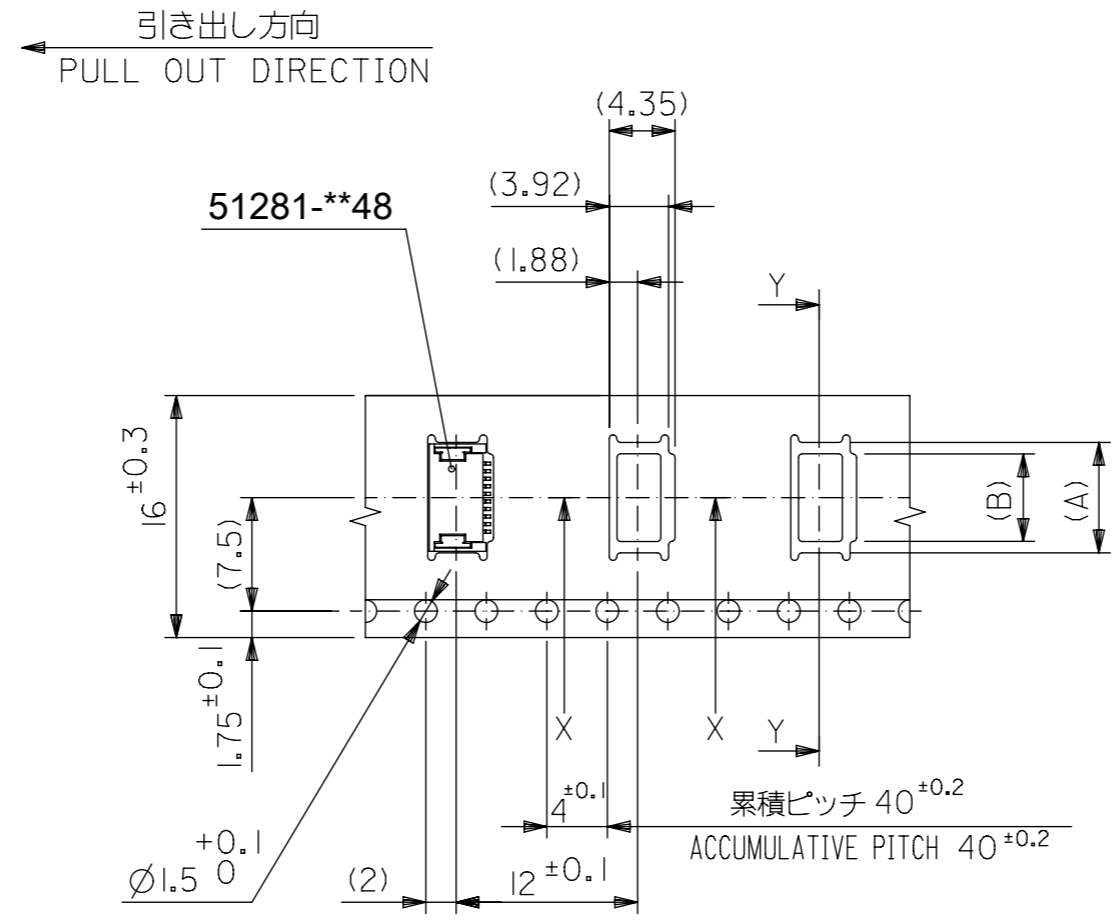
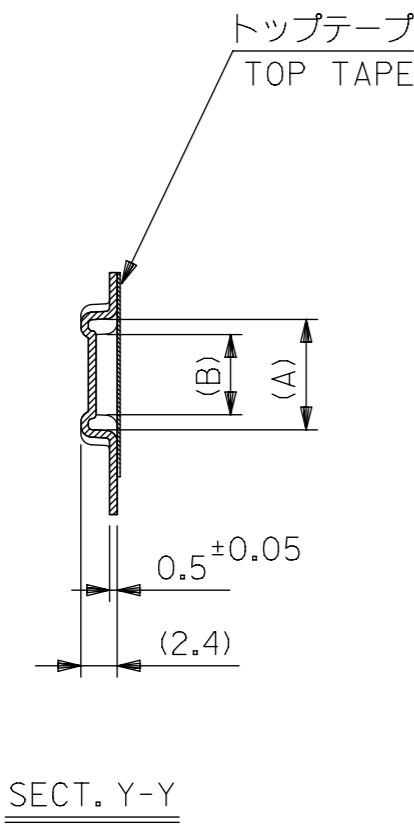


- トップテープの剥離強度：0.1N~1.3N {10gf~130gf}  
(剥離方向は下図参照)  
尚、本規格値は出荷時に適用。(但し、輸送時に剥離が発生しないこと。)  
PEELING OFF FORCE OF TOP TAPE : 0.1N~1.3N {10gf~130gf}  
(PEELING DIRECTION AS SHOWN IN FOLLOWING FIG.)  
THIS REQUIREMENT SHOULD BE APPLIED AT SHIPMENT.  
PEEL OFF SHOULD NOT BE ALLOWED , DURING TRANSPORTATION.



- 材料 (MATERIAL)  
キャリアテープ (CARRIER TAPE) : ポリプロピレン (POLYPROPYLENE)  
トップテープ (TOPTAPE) : PET , PE , PEF  
リール (REEL) : ポリスチレン (PS) <リサイクル材含む>  
POLYSTYRENE (PS) <RECYCLE MATERIAL CONTAINED>
- C, D 寸法は SHEET 2 ~ 3 を参照下さい。  
SEE SHEET 2 ~ 3 (DIMENSION C, D).

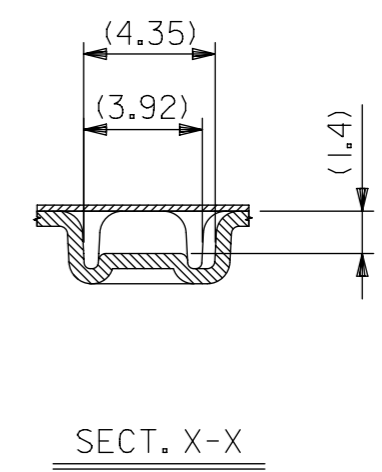
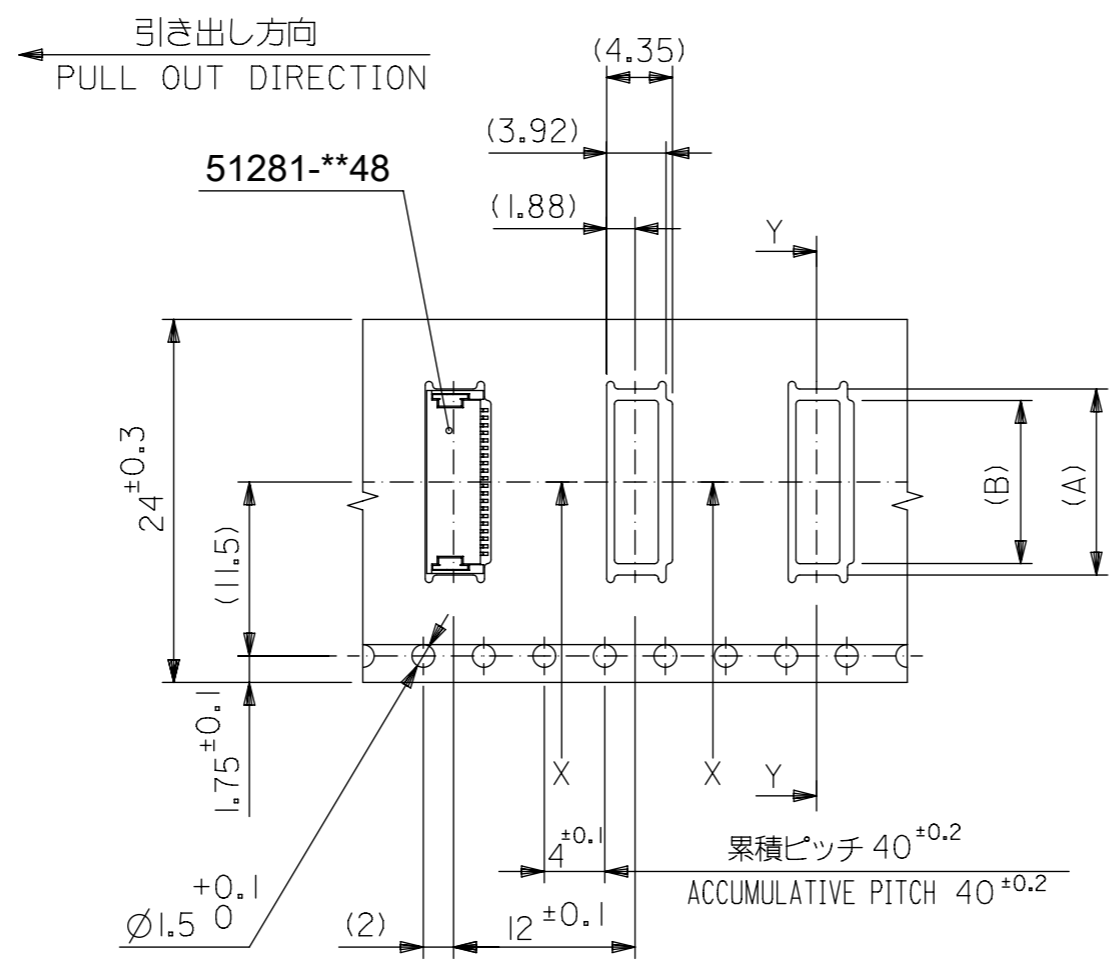
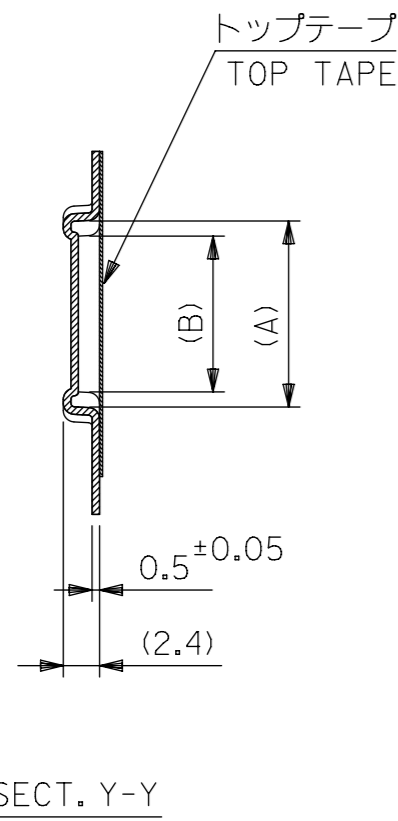
|   |  |                        |  |                             |  |                     |  |   |  |
|---|--|------------------------|--|-----------------------------|--|---------------------|--|---|--|
| THIS DRAWING CONTAINS INFORMATION THAT IS PROPRIETARY TO MOLEX ELECTRONIC TECHNOLOGIES, LLC AND SHOULD NOT BE USED WITHOUT WRITTEN PERMISSION |  |                        |  |                             |  |                     |  |   |  |
| DIMENSION UNITS   |  | SCALE                  |  | CURRENT REV DESC:           |  |                     |  | <b>molex</b>                                |  |
| mm  |  | NTS                    |  |                             |  |                     |  |   |  |
| GENERAL TOLERANCES (UNLESS SPECIFIED)   |  |                        |  | EC NO: 735884               |  |                     |  | 0.5 FPC CONN NON-ZIF (HGT=1.2MM) EMBSTP PKG |  |
| ANGULAR TOL ± 3.0°  |  |                        |  | DRWN: NARENC 2023/01/23     |  |                     |  | PRODUCT CUSTOMER DRAWING                    |  |
| 4 PLACES ± 0.2  |  |                        |  | CHK'D: YNUKANOBU 2023/01/23 |  |                     |  |   |  |
| 3 PLACES ± 0.2  |  |                        |  | APPR: YNAITO 2023/01/23     |  |                     |  | DOCUMENT NUMBER                             |  |
| 2 PLACES ± 0.2  |  |                        |  | INITIAL REVISION:           |  |                     |  |   |  |
| 1 PLACE ± 0.2   |  |                        |  | DRWN: NARENC 2022/05/16     |  |                     |  | 512810000-SD                                |  |
| 0 PLACES ± 0.2  |  |                        |  | APPR: YNAITO 2022/05/30     |  |                     |  |   |  |
| DRAFT WHERE APPLICABLE MUST REMAIN WITHIN DIMENSIONS  |  | THIRD ANGLE PROJECTION |  | DRAWING                     |  | SERIES              |  | MATERIAL NUMBER                             |  |
|   |  |                        |  | A3-SIZE                     |  | 51281               |  | SEE SHEET 2 TO 4                            |  |
| DOCUMENT STATUS   |  | P1                     |  | RELEASE DATE                |  | 2023/01/23 09:52:09 |  | CUSTOMER                                    |  |
|   |  |                        |  |                             |  |                     |  | GENERAL MARKET                              |  |
|   |  |                        |  |                             |  |                     |  | SHEET NUMBER                                |  |
|   |  |                        |  |                             |  |                     |  | 1 OF 4                                      |  |



16mm幅キャリアテープ  
16mm WIDTH CARRIER TAPE

|                                |      |      |     |     |                      |               |
|--------------------------------|------|------|-----|-----|----------------------|---------------|
| 16                             | 21.4 | 17.4 | 4.3 | 6.3 | 51281-0898           | 8             |
|                                |      |      | 3.8 | 5.8 | 51281-0798           | 7             |
|                                |      |      | 3.3 | 5.3 | 51281-0698           | 6             |
|                                |      |      | 2.8 | 4.8 | 51281-0598           | 5             |
| キャリアテープ幅<br>CARRIER TAPE WIDTH | D    | C    | (B) | (A) | 製品番号<br>MATERIAL No. | 極数<br>CIRCUIT |

|  |  |       |  |                             |  |         |        |   |                |          |          |              |
|--|--|-------|--|-----------------------------|--|---------|--------|---|----------------|----------|----------|--------------|
| DIMENSION UNITS                                      |  | SCALE |  | CURRENT REV DESC.           |  |         |        | <b>molex</b>                                |                |          |          |              |
| mm   |  | NTS   |  |                             |  |         |        |   |                |          |          |              |
| GENERAL TOLERANCES (UNLESS SPECIFIED)                |  |       |  | EC NO: 735884               |  |         |        | 0.5 FPC CONN NON-ZIF (HGT=1.2MM) EMBSTP PKG |                |          |          |              |
| ANGULAR TOL ± 3.0°                                   |  |       |  | DRWN: NARENC 2023/01/23     |  |         |        |   |                |          |          |              |
| 4 PLACES ± 0.2                                       |  |       |  | CHK'D: YNUKANOBU 2023/01/23 |  |         |        | PRODUCT CUSTOMER DRAWING                    |                |          |          |              |
| 3 PLACES ± 0.2                                       |  |       |  | APPR: YNAITO 2023/01/23     |  |         |        |   |                |          |          |              |
| 2 PLACES ± 0.2                                       |  |       |  | INITIAL REVISION:           |  |         |        | DOCUMENT NUMBER                             |                | DOC TYPE | DOC PART | REVISION     |
| 1 PLACE ± 0.2  |  |       |  | DRWN: NARENC 2022/05/16     |  |         |        | 512810000-SD                                |                | PSD      | 000      | B            |
| 0 PLACES ± 0.2                                       |  |       |  | APPR: YNAITO 2022/05/30     |  |         |        | MATERIAL NUMBER                             |                | CUSTOMER |          | SHEET NUMBER |
| DRAFT WHERE APPLICABLE MUST REMAIN WITHIN DIMENSIONS |  |       |  | THIRD ANGLE PROJECTION      |  | DRAWING | SERIES | SEE TABLE                                   | GENERAL MARKET |          | 2 OF 4   |              |

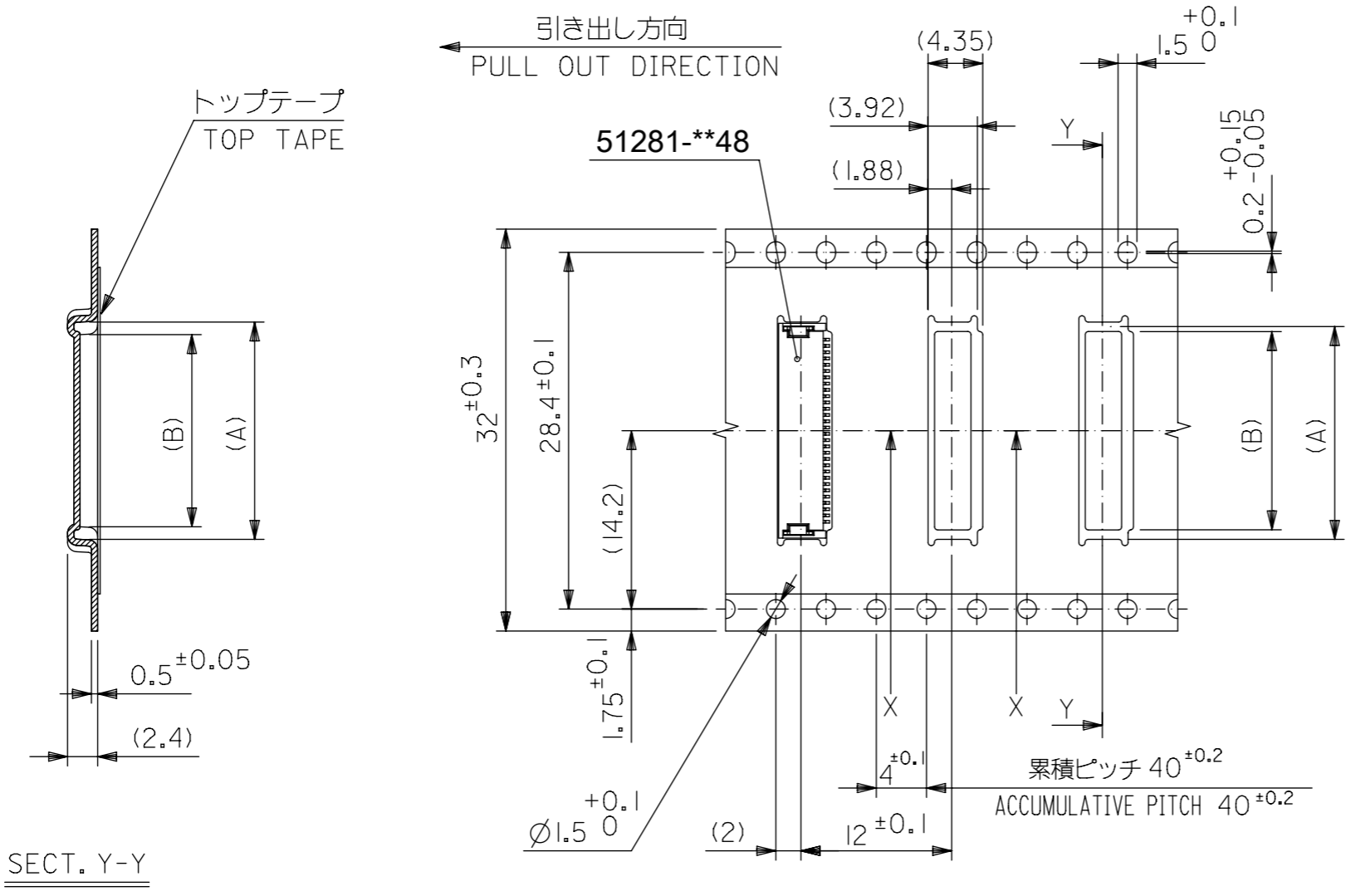


24mm幅キャリアテープ  
24mm WIDTH CARRIER TAPE

|                                |      |            |      |      |            |     |                      |               |
|--------------------------------|------|------------|------|------|------------|-----|----------------------|---------------|
| 24                             | 29.4 | 25.4       | 12.3 | 14.3 | 51281-2498 | 24  |                      |               |
|                                |      |            | 11.3 | 13.3 | 51281-2298 | 22  |                      |               |
|                                |      |            | 10.3 | 12.3 | 51281-2098 | 20  |                      |               |
|                                |      |            | 9.3  | 11.3 | 51281-1898 | 18  |                      |               |
|                                |      |            | 8.3  | 10.3 | 51281-1698 | 16  |                      |               |
|                                |      |            | 7.3  | 9.3  | 51281-1498 | 14  |                      |               |
|                                |      |            | 6.3  | 8.3  | 51281-1298 | 12  |                      |               |
|                                |      |            | 5.8  | 7.8  | 51281-1198 | 11  |                      |               |
|                                |      |            | 5.3  | 7.3  | 51281-1098 | 10  |                      |               |
| 4.8                            | 6.8  | 51281-0998 | 9    |      |            |     |                      |               |
| キャリアテープ幅<br>CARRIER TAPE WIDTH |      |            | D    | C    | (B)        | (A) | 製品番号<br>MATERIAL No. | 極数<br>CIRCUIT |

THIS DRAWING CONTAINS INFORMATION THAT IS PROPRIETARY TO MOLEX ELECTRONIC TECHNOLOGIES, LLC AND SHOULD NOT BE USED WITHOUT WRITTEN PERMISSION

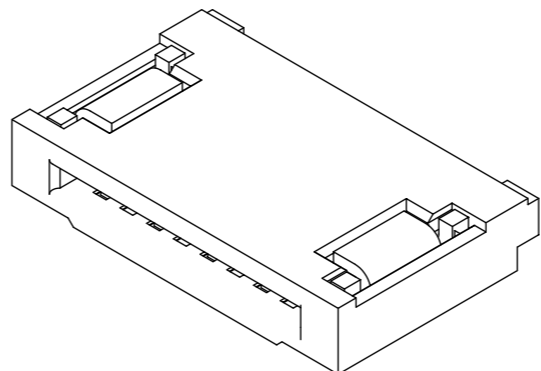
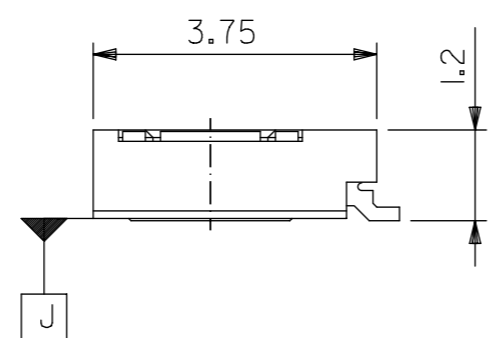
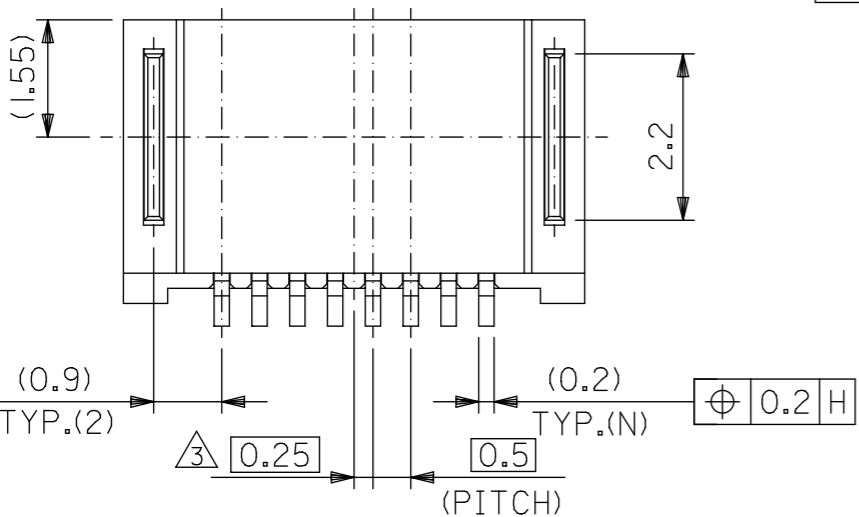
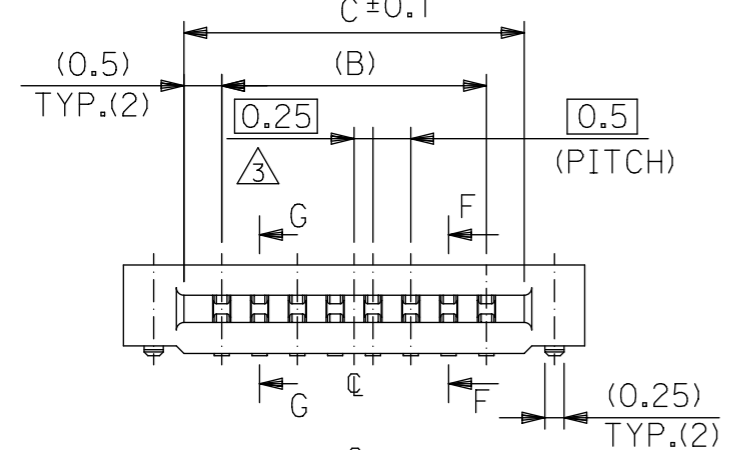
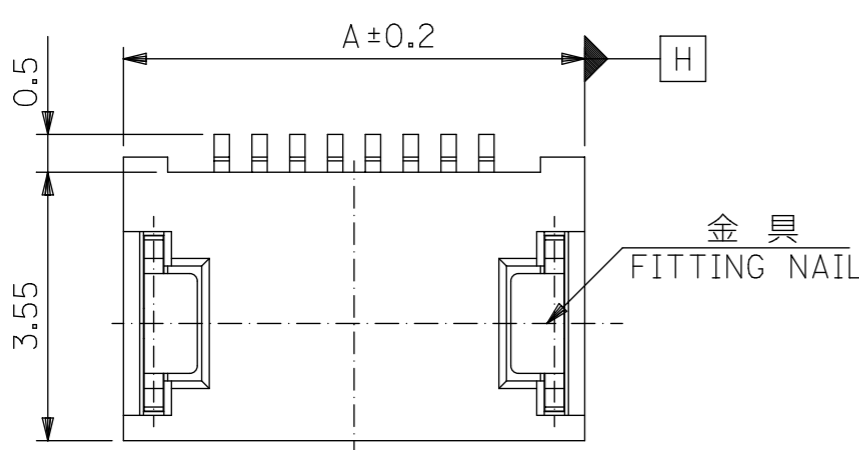
|  |              |                        |  |                          |  |  |  |
|--|--------------|------------------------|--|--------------------------|--|--|--|
| DIMENSION UNITS<br>mm                                | SCALE<br>NTS | CURRENT REV DESC:      |  | <b>molex</b>             |  |  |  |
| GENERAL TOLERANCES (UNLESS SPECIFIED)                |              | EC NO: 735884          |  |                          |  |  |  |
| ANGULAR TOL  | ± 3.0 °      | DRWN: NARENC           |  | PRODUCT CUSTOMER DRAWING |  |  |  |
| 4 PLACES   | ± 0.2        | CHK'D: YNUKANOBU       |  | DOCUMENT NUMBER          |  |  |  |
| 3 PLACES   | ± 0.2        | APPR: YNAITO           |  | 512810000-SD             |  |  |  |
| 2 PLACES   | ± 0.2        | INITIAL REVISION:      |  | DOC TYPE                 |  |  |  |
| 1 PLACE  | ± 0.2        | DRWN: NARENC           |  | PSD                      |  |  |  |
| 0 PLACES   | ± 0.2        | APPR: YNAITO           |  | DOC PART                 |  |  |  |
| DRAFT WHERE APPLICABLE MUST REMAIN WITHIN DIMENSIONS |              | THIRD ANGLE PROJECTION |  | REVISION                 |  |  |  |
|  |              | DRAWING                |  | B                        |  |  |  |
|  |              | SERIES                 |  | SHEET NUMBER             |  |  |  |
|  |              | A3-SIZE                |  | 3 OF 4                   |  |  |  |
|  |              | 51281                  |  | MATERIAL NUMBER          |  |  |  |
|  |              | SEE TABLE              |  | CUSTOMER                 |  |  |  |
|  |              | GENERAL MARKET         |  |                          |  |  |  |



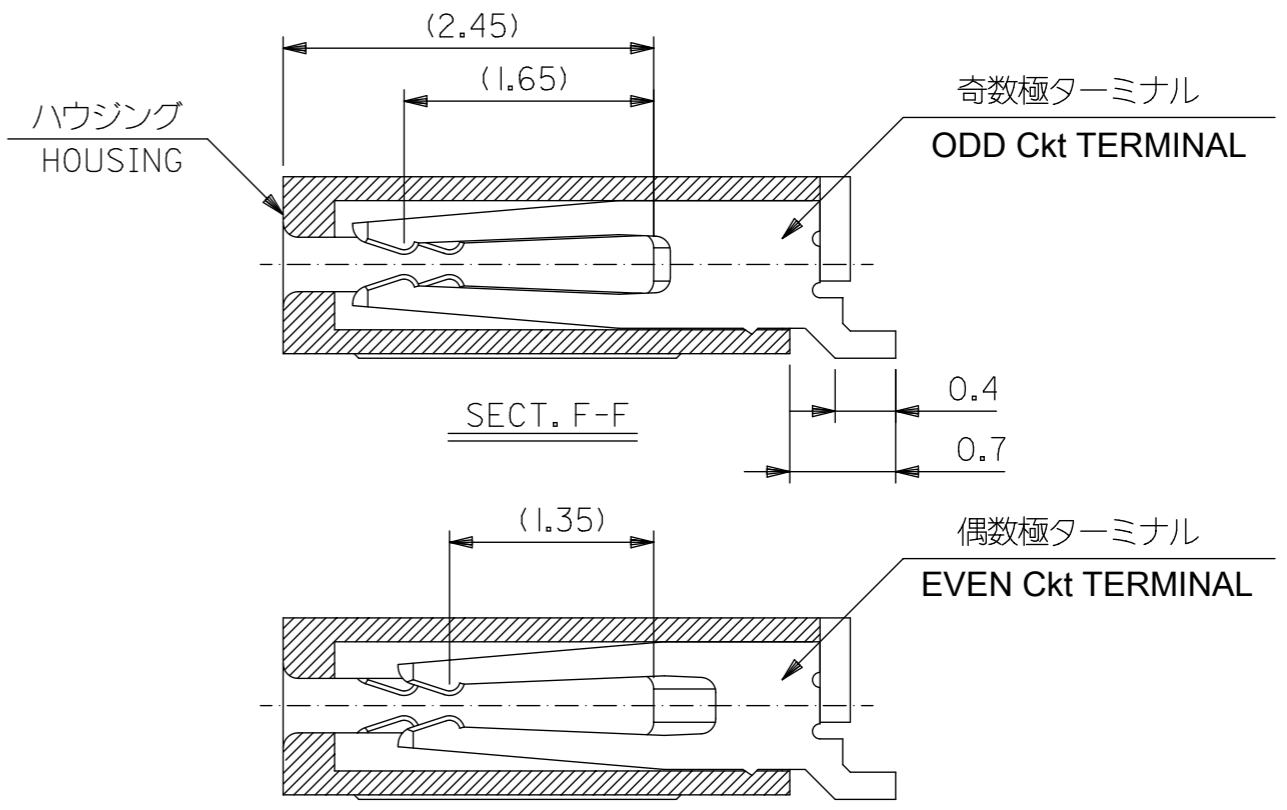
32mm幅キャリアテープ  
32mm WIDTH CARRIER TAPE

|                                |      |      |      |      |                      |               |
|--------------------------------|------|------|------|------|----------------------|---------------|
| 32                             | 37.4 | 33.4 | 13.3 | 15.3 | 51281-2698           | 26            |
| キャリアテープ幅<br>CARRIER TAPE WIDTH | D    | C    | (B)  | (A)  | 製品番号<br>MATERIAL No. | 極数<br>CIRCUIT |

|  |  |                        |  |                             |  |           |  |   |  |          |  |              |  |
|--|--|------------------------|--|-----------------------------|--|-----------|--|---|--|----------|--|--------------|--|
| DIMENSION UNITS                                      |  | SCALE                  |  | CURRENT REV DESC:           |  |           |  | <b>molex</b>                                |  |          |  |              |  |
| mm   |  | NTS                    |  |                             |  |           |  |   |  |          |  |              |  |
| GENERAL TOLERANCES (UNLESS SPECIFIED)                |  |                        |  | EC NO: 735884               |  |           |  | 0.5 FPC CONN NON-ZIF (HGT=1.2MM) EMBSTP PKG |  |          |  |              |  |
| ANGULAR TOL ± 3.0°                                   |  |                        |  | DRWN: NARENC 2023/01/23     |  |           |  | PRODUCT CUSTOMER DRAWING                    |  |          |  |              |  |
| 4 PLACES ± 0.2                                       |  |                        |  | CHK'D: YNUKANOBU 2023/01/23 |  |           |  | DOCUMENT NUMBER                             |  |          |  |              |  |
| 3 PLACES ± 0.2                                       |  |                        |  | APPR: YNAITO 2023/01/23     |  |           |  | 512810000-SD                                |  |          |  |              |  |
| 2 PLACES ± 0.2                                       |  |                        |  | INITIAL REVISION:           |  |           |  | DOC TYPE                                    |  | DOC PART |  | REVISION     |  |
| 1 PLACE ± 0.2  |  |                        |  | DRWN: NARENC 2022/05/16     |  |           |  | PSD   |  | 000      |  | B            |  |
| 0 PLACES ± 0.2                                       |  |                        |  | APPR: YNAITO 2022/05/30     |  |           |  |   |  |          |  |              |  |
| DRAFT WHERE APPLICABLE MUST REMAIN WITHIN DIMENSIONS |  | THIRD ANGLE PROJECTION |  | DRAWING                     |  | SERIES    |  | MATERIAL NUMBER                             |  | CUSTOMER |  | SHEET NUMBER |  |
|  |  | A3-SIZE                |  | 51281                       |  | SEE TABLE |  | GENERAL MARKET                              |  | 4 OF 4   |  |              |  |



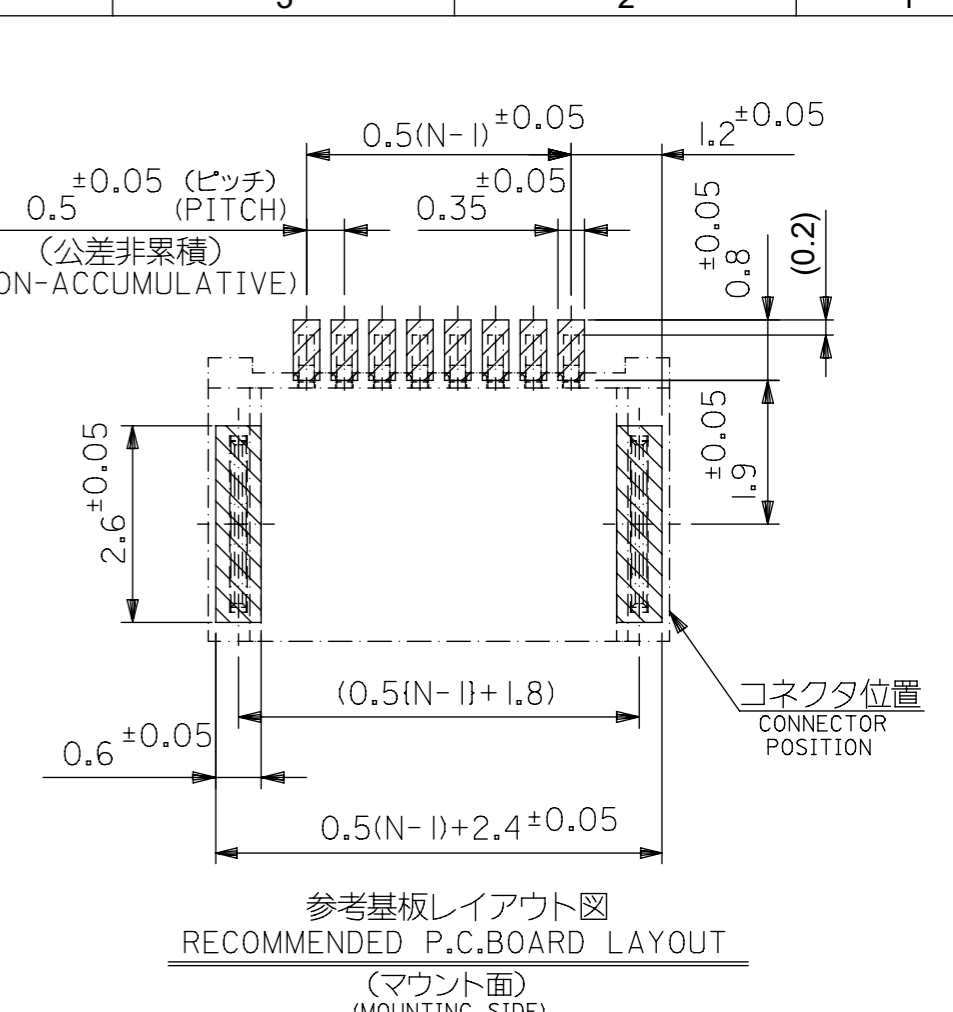
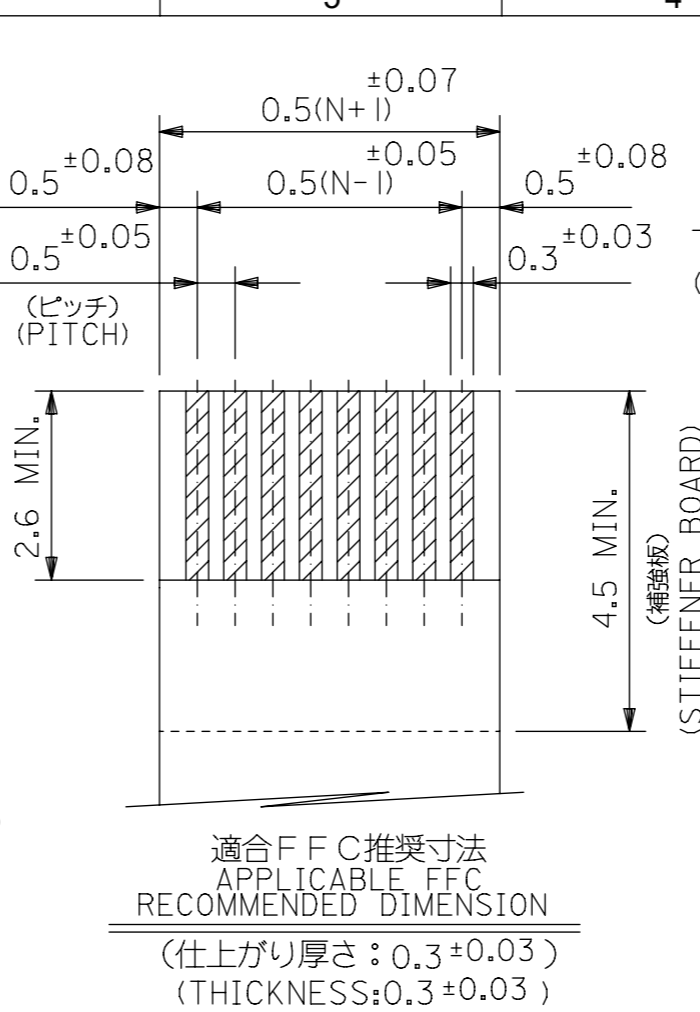
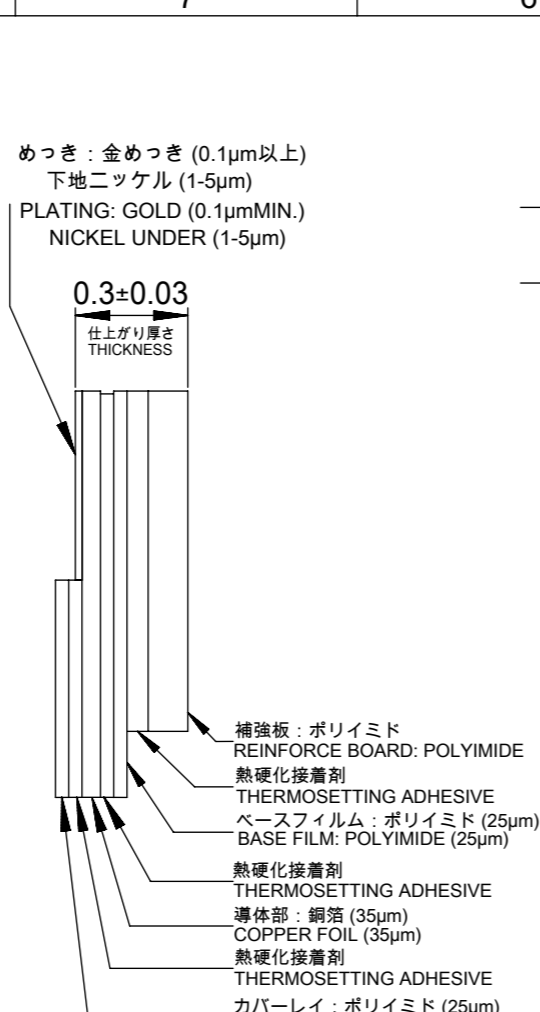
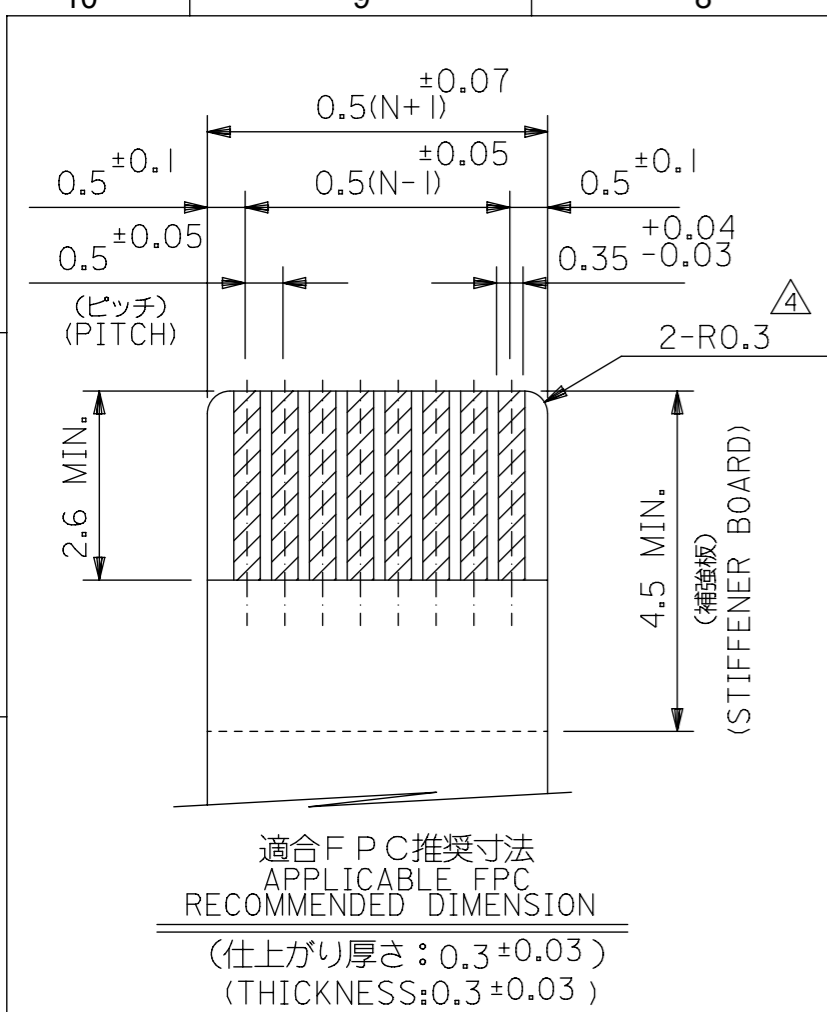
ISO VIEW (参考)



|      |      |      |                  |         |
|------|------|------|------------------|---------|
| 13.5 | 12.5 | 15.1 | 51281-2698       | 26      |
| 12.5 | 11.5 | 14.1 | 51281-2498       | 24      |
| 11.5 | 10.5 | 13.1 | 51281-2298       | 22      |
| 10.5 | 9.5  | 12.1 | 51281-2098       | 20      |
| 9.5  | 8.5  | 11.1 | 51281-1898       | 18      |
| 8.5  | 7.5  | 10.1 | 51281-1698       | 16      |
| 7.5  | 6.5  | 9.1  | 51281-1498       | 14      |
| 6.5  | 5.5  | 8.1  | 51281-1298       | 12      |
| 6.0  | 5.0  | 7.6  | 51281-1198       | 11      |
| 5.5  | 4.5  | 7.1  | 51281-1098       | 10      |
| 5.0  | 4.0  | 6.6  | 51281-0998       | 9       |
| 4.5  | 3.5  | 6.1  | 51281-0898       | 8       |
| 4.0  | 3.0  | 5.6  | 51281-0798       | 7       |
| 3.5  | 2.5  | 5.1  | 51281-0698       | 6       |
| 3.0  | 2.0  | 4.6  | 51281-0598       | 5       |
| C    | B    | A    | EMBOSSED TAPE    | CIRCUIT |
|      |      |      | ORDER No. オーダー番号 |         |

CONNECTOR SERIES NO. : 51281-\*\*48

|   |        |                   |            |  |          |
|---|--------|-------------------|------------|--|----------|
| THIS DRAWING CONTAINS INFORMATION THAT IS PROPRIETARY TO MOLEX ELECTRONIC TECHNOLOGIES, LLC AND SHOULD NOT BE USED WITHOUT WRITTEN PERMISSION |        | CURRENT REV DESC: |            | <b>molex</b>                                 |          |
| DIMENSION UNITS   | SCALE  |                   |            |  |          |
| mm  | NTS    |                   |            | 0.5 FPC CONN NON-ZIF<br>HSG ASSY (HGT=1.2MM) |          |
| GENERAL TOLERANCES (UNLESS SPECIFIED)   |        |                   |            | PRODUCT CUSTOMER DRAWING                     |          |
| ANGULAR TOL   | ± 3.0° |                   |            | DOCUMENT NUMBER                              |          |
| 4 PLACES  | ± 0.2  | EC NO: 736421     | 2023/01/27 | 512811000-SD                                 |          |
| 3 PLACES  | ± 0.2  | DRWN: NARENC      | 2023/01/30 | DOC TYPE                                     | DOC PART |
| 2 PLACES  | ± 0.2  | CHK'D: YNUKANOBU  | 2023/01/30 | PSD  | 000      |
| 1 PLACE   | ± 0.2  | APPR: YNAITO      | 2023/01/30 | REVISION                                     |          |
| 0 PLACES  | ± 0.2  | INITIAL REVISION: |            | B  |          |
| DRAFT WHERE APPLICABLE MUST REMAIN WITHIN DIMENSIONS  |        | DRWN: NARENC      | 2022/05/17 | MATERIAL NUMBER                              |          |
| THIRD ANGLE PROJECTION  |        | APPR: YNAITO      | 2022/05/30 | CUSTOMER                                     |          |
| DRAWING   |        | SERIES            |            | SHEET NUMBER                                 |          |
| A3-SIZE   |        | 51281             |            | 1 OF 2                                       |          |



注記 NOTES

1. 使用材料 MATERIAL  
ハウジング: 液体ポリマー ガラス充填 UL94V-0  
HOUSING: LIQUID CRYSTAL POLYMER (GRASS FILLED) UL94-0  
ターミナル: リン青銅 (t=0.2), ニッケル下地, コンタクト部: 金メッキ, テール部: 錫メッキ  
TERMINAL: PHOSPHOR-BRONZE, CONTACT: GOLD, TAIL: TIN, OVER NICKEL PLATING  
金具: リン青銅 (t=0.25), ニッケル下地 純錫メッキ
2. FITTING NAIL: PHOSPHOR-BRONZE, PURE-TIN OVER NICKEL PLATING  
溶剤にて一り半田付け面のズレ量、及び金具半田付け面のズレ量は、基準面 J に対し、上方向 0.1 MAXIMUM 下方向 0.15 MAXIMUMとする。  
又、相互のバラツキ量は 0.1 MAXIMUMとする。  
MISALIGNMENT OF SOLDER TAILS AND FITTING NAILS FROM J  
UPPER DIRECTION; 0.1 MAXIMUM, LOWER DIRECTION; 0.15 MAXIMUM.  
OFFSET BETWEEN SOLDER TAILS AND FITTING NAILS; 0.1 MAXIMUM.
3. 偶数極に適用  
TO BE APPLIED ONLY WHEN ALL CIRCUITS ARE EVEN.
4. R0.3は、FPCの導体部にかからないこと。  
R0.3 MUST NOT BE OVERLAPPED TO PATTERN OF FPC.
5. FPC/FFCについて:  
打抜き方向は導体側から補強版側を推奨いたします。  
導体部については軟銅箔35µmまたは50µm  
メッキ厚0.1 µm以上金メッキ(電気メッキ)を推奨いたします。  
RECOMMENDED PUNCHER DIRECTION:  
FROM CONDUCTOR SIDE TO STIFFENER BOARD SIDE.  
RECOMMENDED CONDUCTOR SPEC:  
THICKNESS OF SOFT COPPER FOIL: 35 µm or 50 µm  
GOLD PLATING: 0.1 µm MIN. (ELECTRICAL PLATING)

6. 本製品は51281-\*\*20の鉛フリー品である。  
THIS PRODUCT IS LEAD FREE OF 51281-\*\*20.
7. ソルダータールの平坦度は、0.1 MAXIMUMとする。  
SOLDER TAIL COPLANARITY IS 0.1 MAXIMUM.

|   |       |                             |         |                            |                 |                |              |
|---|-------|-----------------------------|---------|----------------------------|-----------------|----------------|--------------|
| THIS DRAWING CONTAINS INFORMATION THAT IS PROPRIETARY TO MOLEX ELECTRONIC TECHNOLOGIES, LLC AND SHOULD NOT BE USED WITHOUT WRITTEN PERMISSION |       | CURRENT REV DESC:           |         | <b>molex</b>               |                 |                |              |
| DIMENSION UNITS   | SCALE |                             |         |                            |                 |                |              |
| mm  | NTS   |                             |         | PRODUCT CUSTOMER DRAWING   |                 |                |              |
| GENERAL TOLERANCES (UNLESS SPECIFIED)   |       | EC NO: 736421               |         | DOCUMENT NUMBER            |                 |                |              |
| ANGULAR TOL ± 3.0°  |       | DRWN: NARENC 2023/01/27     |         | 512811000-SD               |                 |                |              |
| 4 PLACES ± 0.2  |       | CHK'D: YNUKANOBU 2023/01/30 |         | DOC TYPE DOC PART REVISION |                 |                |              |
| 3 PLACES ± 0.2  |       | APPR: YNAITO 2023/01/30     |         | PSD 000 B                  |                 |                |              |
| 2 PLACES ± 0.2  |       | INITIAL REVISION:           |         | MATERIAL NUMBER CUSTOMER   |                 |                |              |
| 1 PLACE ± 0.2   |       | DRWN: NARENC 2022/05/17     |         | SEE SHEET 1 GENERAL MARKET |                 |                |              |
| 0 PLACES ± 0.2  |       | APPR: YNAITO 2022/05/30     |         | SHEET NUMBER               |                 |                |              |
| DRAFT WHERE APPLICABLE MUST REMAIN WITHIN DIMENSIONS  |       | THIRD ANGLE PROJECTION      | DRAWING | SERIES                     | MATERIAL NUMBER | CUSTOMER       | SHEET NUMBER |
|   |       |                             | A3-SIZE | 51281                      | SEE SHEET 1     | GENERAL MARKET | 2 OF 2       |