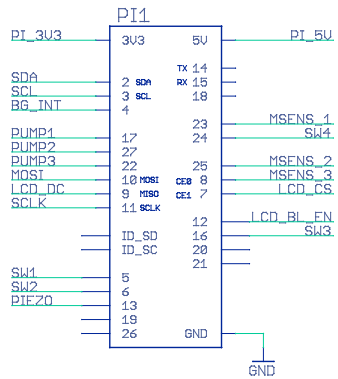
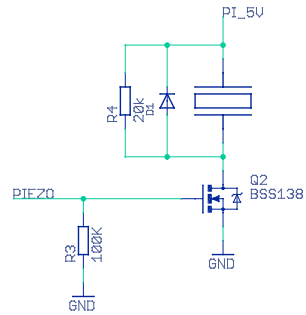


Grow HAT Mini for the Raspberry Pi

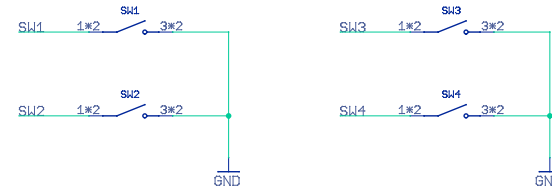
Pi GPIO connector



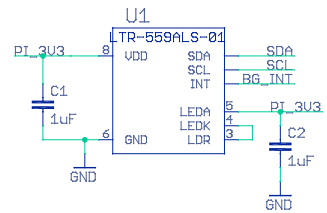
Piezo buzzer



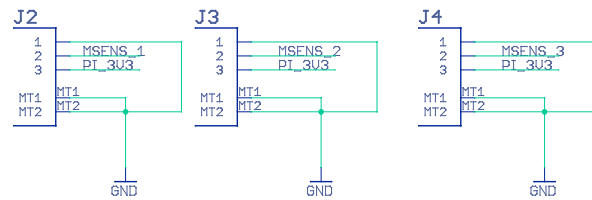
Switches



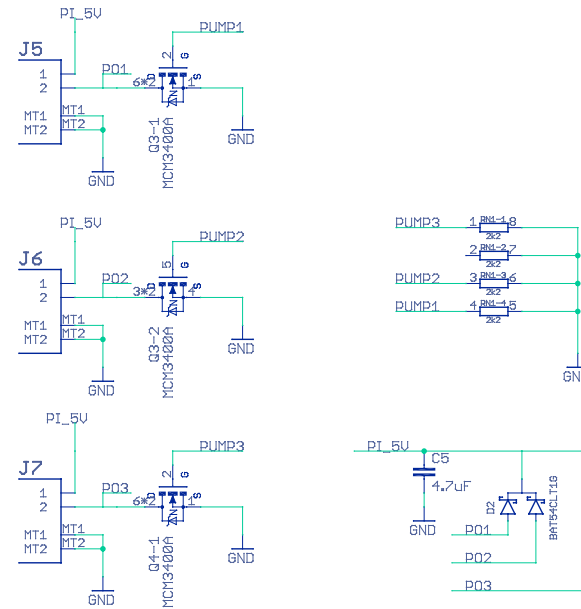
LTR-559 digital light sensor



Moisture sensor connections

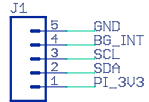


Pump connections



I2C & ADC extension header

Breakout Garden Pinout



0.96" 160x80 LCD

