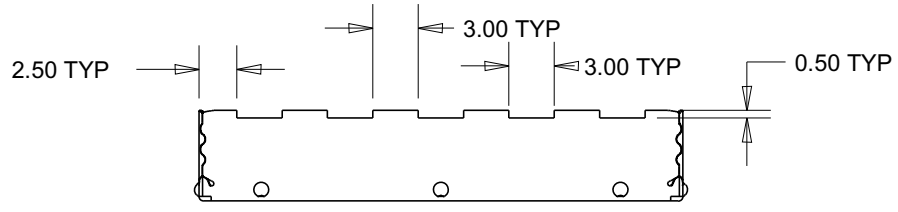
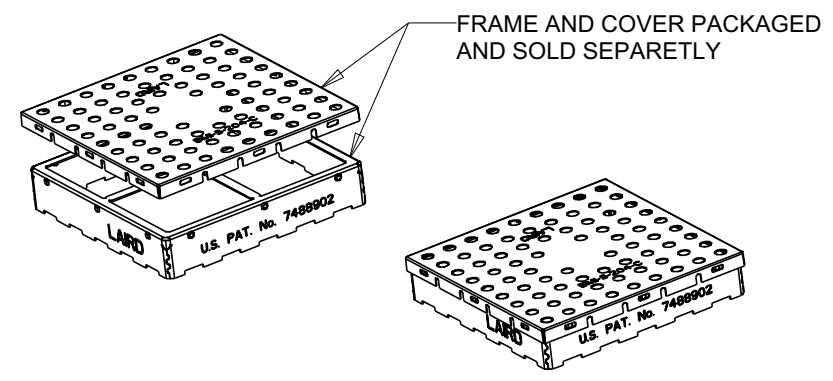
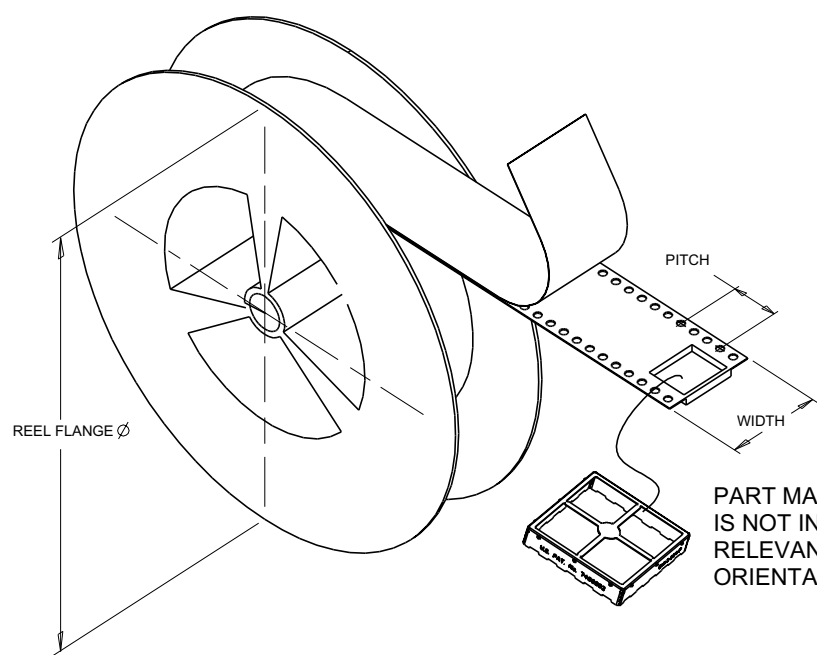
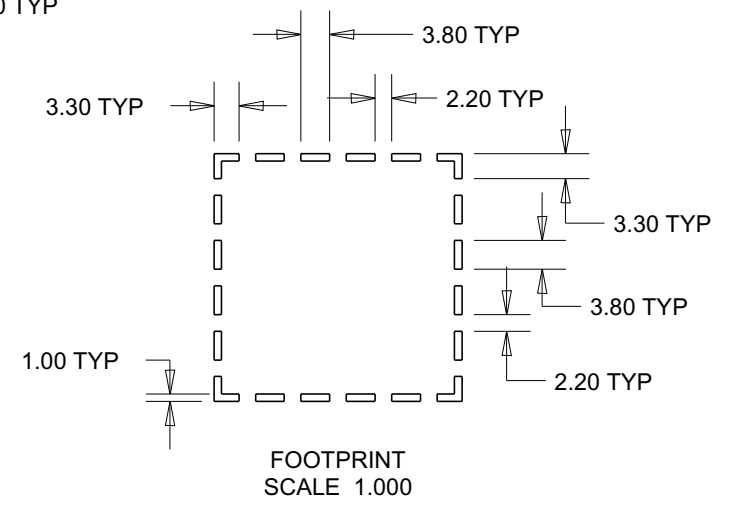
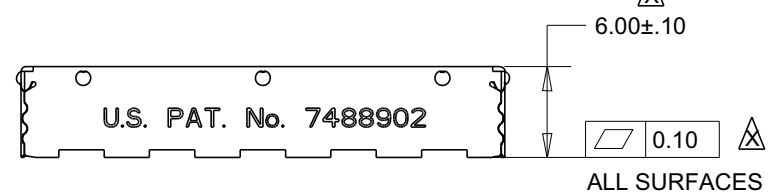
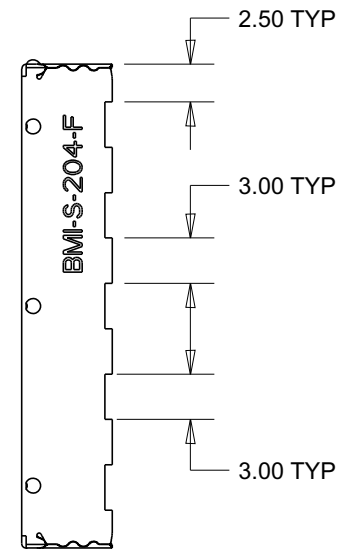
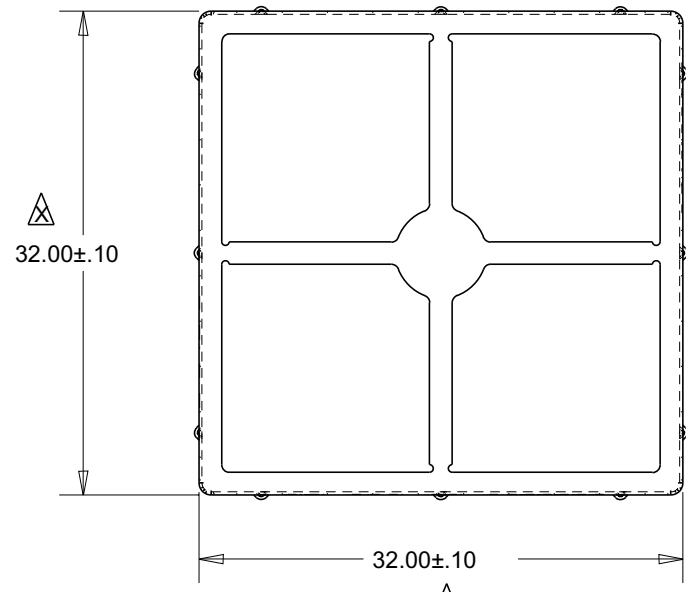
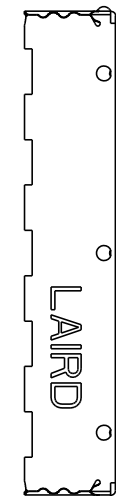
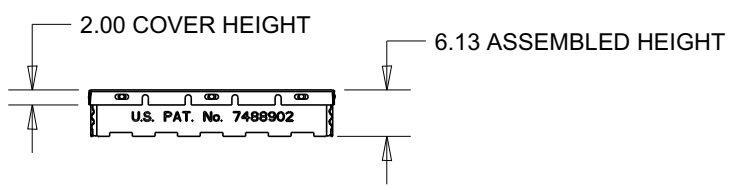


FUNCTION	PART NUMBER	MATERIAL / FINISH	PACKAGING			
			TAPE AND REEL			
FENCE	BMI-S-204-F	.20MM 1008/1010 PRE-PLATED COLD ROLLED STEEL 1/2 HARD 1.25-5.00 MICRONS 100% MATTE TIN	REEL DIAMETER	TAPE WIDTH	PITCH	QUANTITY
			380MM	44MM	36MM	225
COVER	BMI-S-204-C	.13MM 1008/1010 PRE-PLATED COLD ROLLED STEEL 1/2 HARD 1.25-5.00 MICRONS 100% MATTE TIN	BULK PACK			



- NOTES:
- OTHER MATERIAL OPTIONS MAY BE AVAILABLE, CONSULT SALES.
 - OTHER PACKAGING OPTIONS MAY BE AVAILABLE, CONSULT SALES.



CRITICAL DIMENSIONS ARE DESIGNATED BY

US PATENT 7488902

	PART DESCRIPTION: BOARD LEVEL SHIELD		PART NUMBER: BMI-S-204-SALES	
	CUSTOMER: LAIRD CATALOG			
3RD ANGLE PROJECTION	PROGRAM NAME: STANDARDS	MODELED BY: TW	DATE: 05/10/12	REV:
DESIGNED IN PRO/ENGINEER	CUSTOMER PART NUMBER: N/A	APPROVED BY: X	DATE: XX/XX/XX	SALES
SCALE: 4.000	SHEET 1 OF 1	INFORMATION CONTAINED IN THIS DOCUMENT IS CONFIDENTIAL AND PROPRIETARY TO LAIRD TECHNOLOGIES. IT MAY NOT BE DISCLOSED TO ANYONE WITHOUT WRITTEN AUTHORIZATION FROM LAIRD TECHNOLOGIES.		