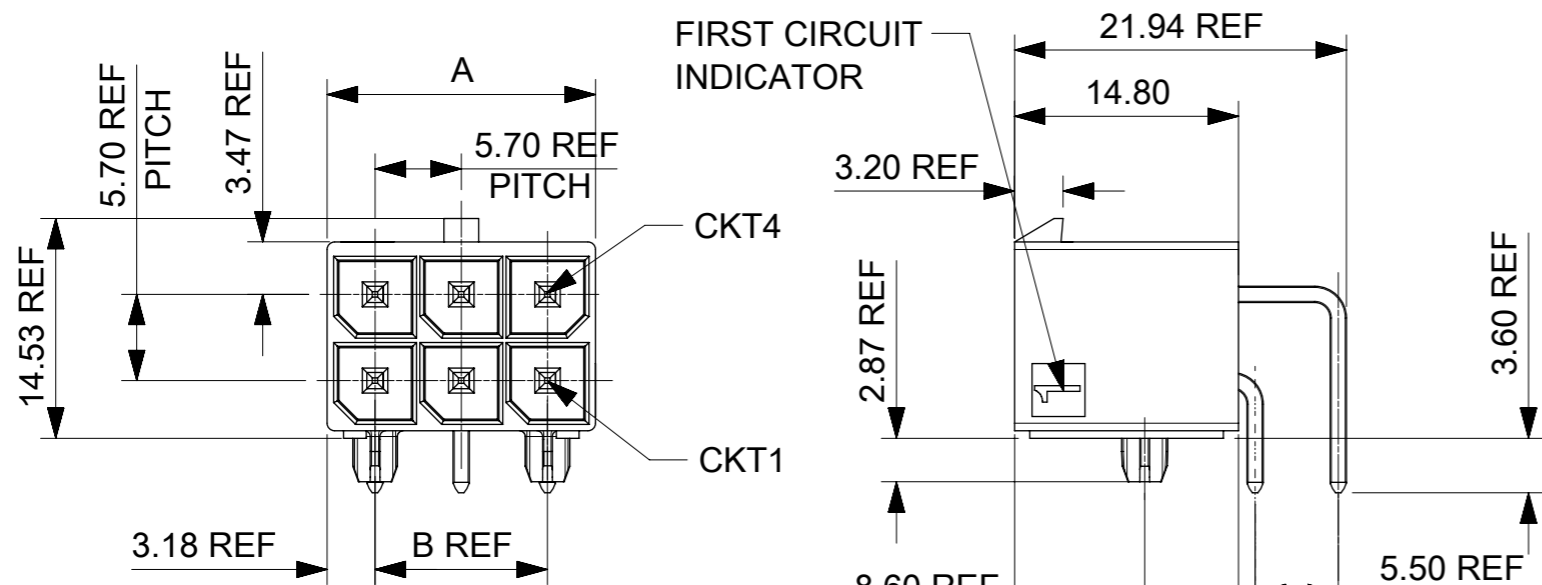
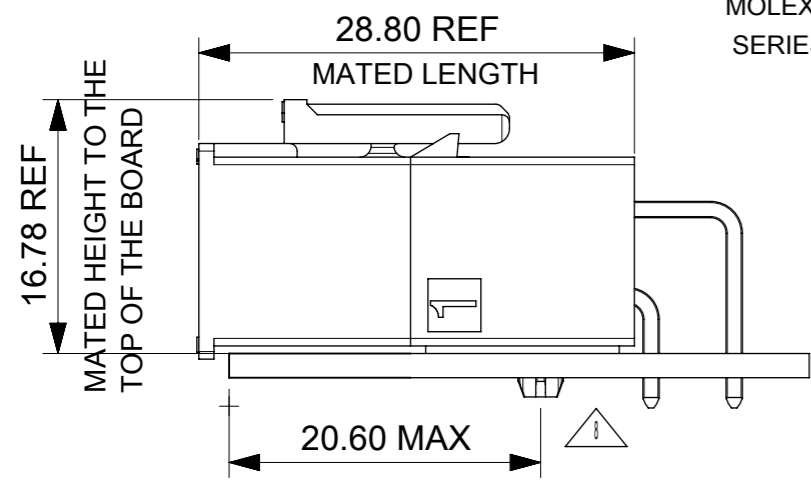
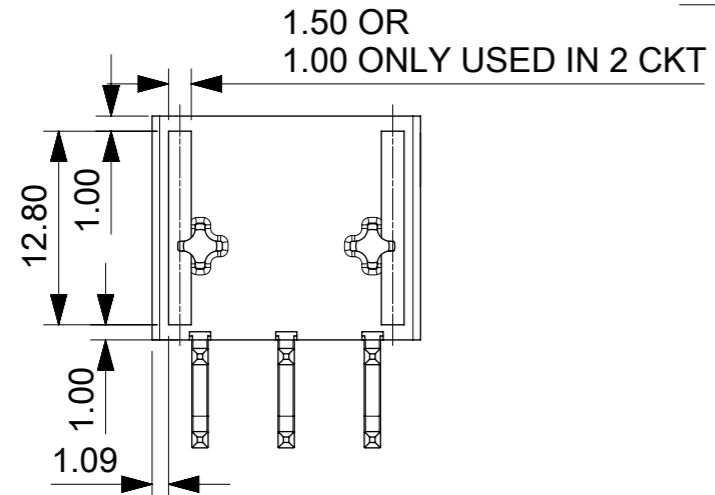


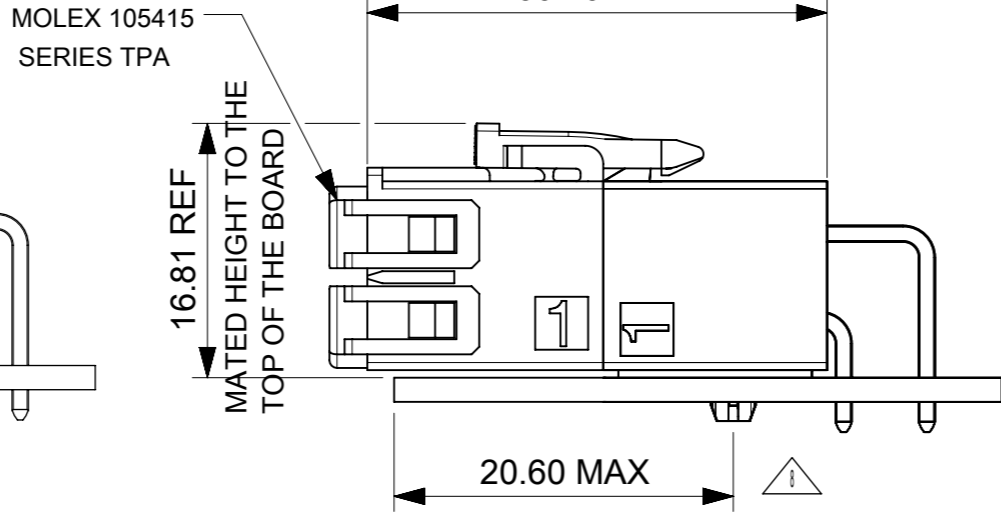
76825-0006 SHOWN



- NOTES:
- MATERIAL:
HOUSING LCP, UL94V-0, GLOW WIRE CAPABLE PER IEC-60335-1 5TH EDITION, COLOR: BLACK.
TERMINAL: HIGH CONDUCTIVITY COPPER.
 - TERMINAL PLATING:
(TIN) 1.52 MICROMETER MIN REFLOWED MATTE TIN OVER
1.27 MICROMETER MIN NICKEL OVERALL.
(15 GOLD) 0.38 MICROMETER MIN SELECTIVE GOLD ON CONTACT AREA
WITH 2.54 MICROMETER MIN SELECTIVE TIN ON SOLDER AREA
BOTH OVER 1.27 MICROMETER MIN NICKEL OVERALL.
(30 GOLD) 0.76 MICROMETER MIN SELECTIVE GOLD ON CONTACT AREA
WITH 2.54 MICROMETER MIN SELECTIVE TIN ON SOLDER AREA
BOTH OVER 1.27 MICROMETER MIN NICKEL OVERALL.
 - PRODUCT SPECIFICATION PS-76823-100, 1720631000-PS
 - PACKAGING: TRAY PACKED PER MOLEX SPECIFICATION PK-76825-0000, WHILE T&R IS 1720640900.
 - PART MATES WITH MOLEX PART NUMBER 170001 AND 171692 SERIES.
 - APPLICATION SPECIFICATION: AS-76823-100, 768232000-AS
 - PARTS CONFORM TO CLASS "B" REQUIREMENTS OF COSMETIC SPECIFICATION PS-45499-002.
 - TO AVOID INTERFERENCE BETWEEN RECEPTACLE AND PCB, HEADER MUST BE PLACED WITHIN 20.6 MAX FROM EDGE OF PCB AS SHOWN FOR 4 THROUGH 12 CIRCUITS.
FOR 2 CIRCUIT PARTS THIS DIMENSION IS 15.1 MAX.



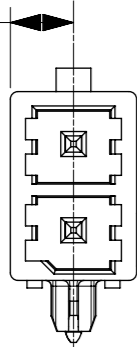
NONE-TPA VERSION



TPA-CAPABLE VERSION

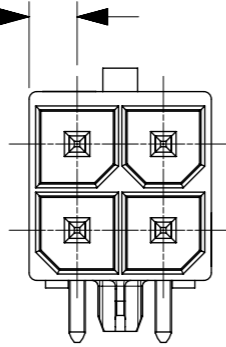
THIS DRAWING CONTAINS INFORMATION THAT IS PROPRIETARY TO MOLEX ELECTRONIC TECHNOLOGIES, LLC AND SHOULD NOT BE USED WITHOUT WRITTEN PERMISSION										
DIMENSION UNITS		SCALE		CURRENT REV DESC:						
mm		NTS								
GENERAL TOLERANCES (UNLESS SPECIFIED)										
ANGULAR TOL ± 3.0°										
4 PLACES ±										
3 PLACES ±										
2 PLACES ± 0.25										
1 PLACE ± 0.36										
0 PLACES ±										
DRAFT WHERE APPLICABLE MUST REMAIN WITHIN DIMENSIONS										
THIRD ANGLE PROJECTION			DRAWING		SERIES		MATERIAL NUMBER		CUSTOMER	
			A3-SIZE		76825		SEE TABLE		GENERAL MARKET	
EC NO: 720543				DRWN: WYATTH5		2022/08/30				
INITIAL REVISION:				CHK'D: XQZHANG		2022/09/08				
DRWN: MKARADIMAS				APPR: XQZHANG		2022/09/08		MEGA-FIT RIGHT ANGLE HEADER R/A HEADER ASSY 2-12 CKT		
APPR: APATEL								PRODUCT CUSTOMER DRAWING		
DOCUMENT NUMBER				DOC TYPE		DOC PART		REVISION		
SD-76825-0100				PSD		000		E3		
SHEET NUMBER				1 OF 3						

4.18 REF



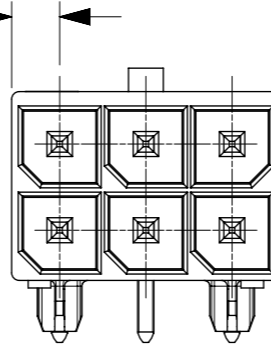
2CKT

3.18 REF

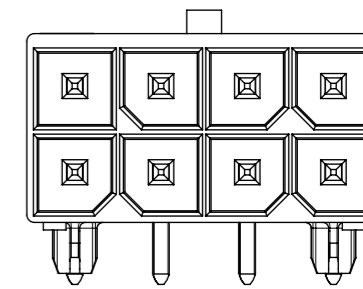


4CKT

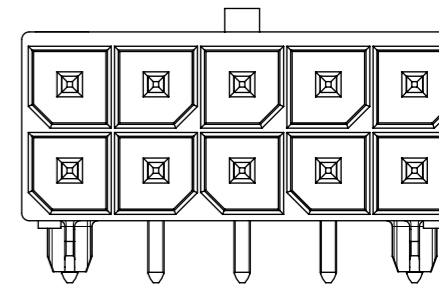
3.18 REF



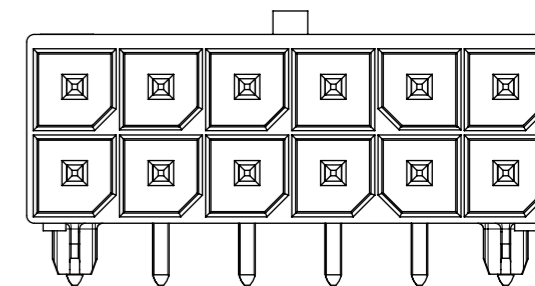
6CKT



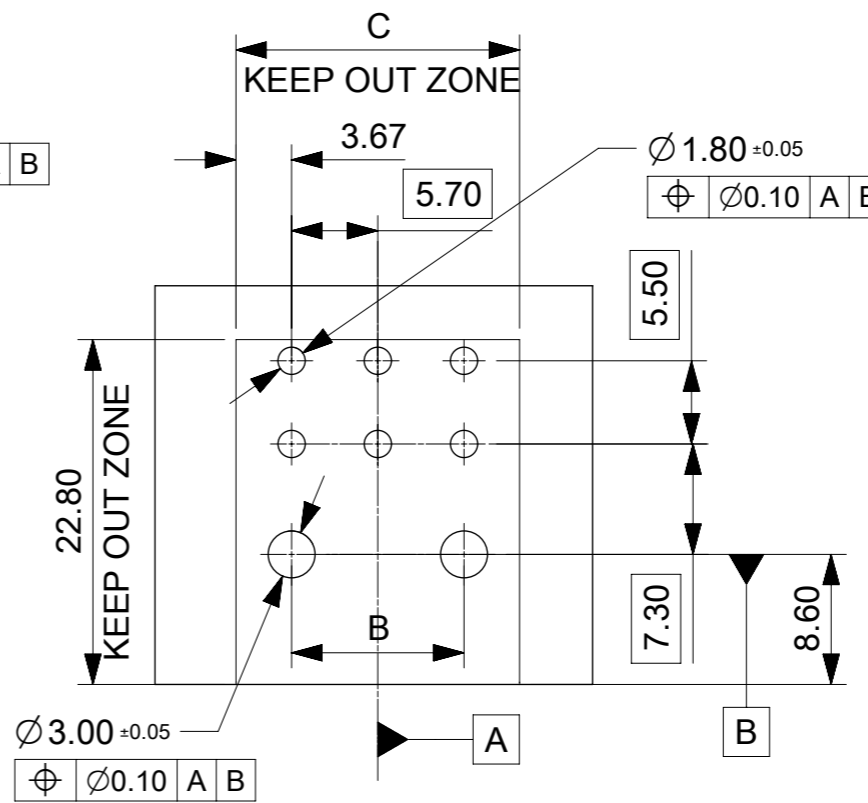
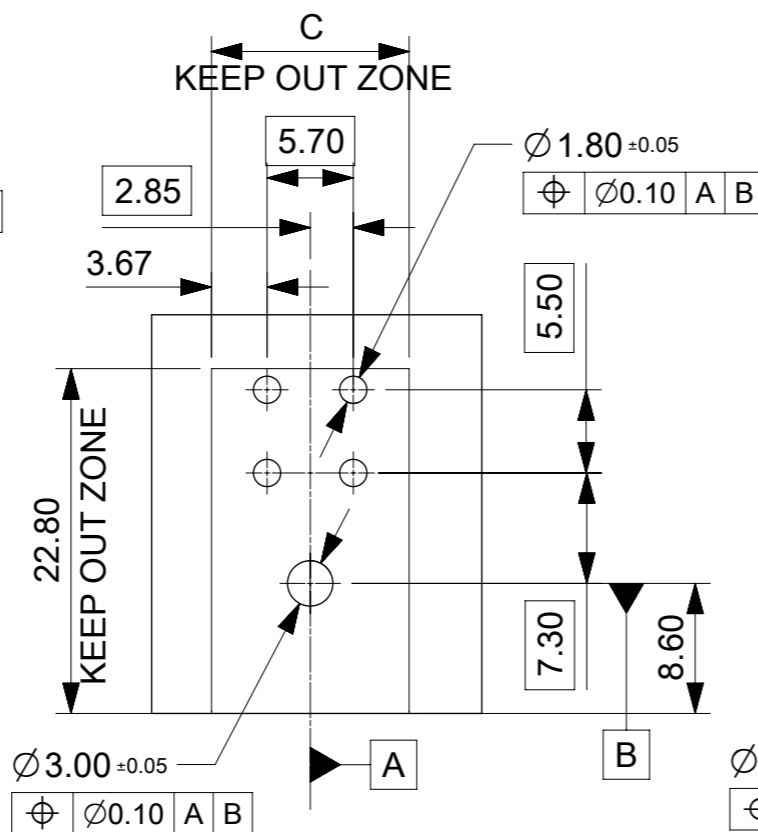
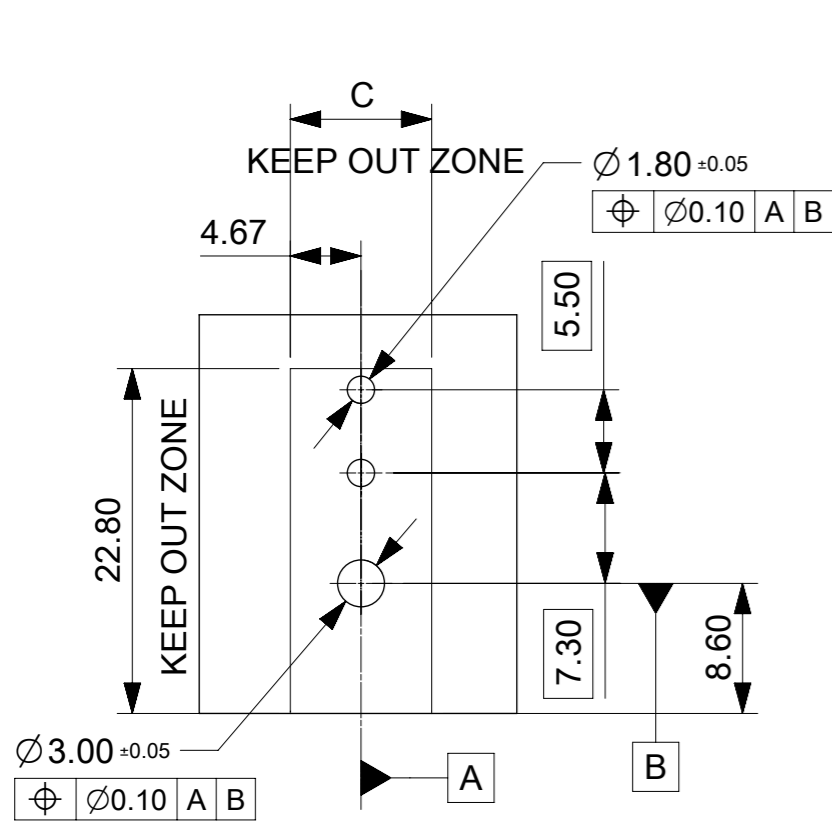
8CKT



10CKT



12CKT



THIS DRAWING CONTAINS INFORMATION THAT IS PROPRIETARY TO MOLEX ELECTRONIC TECHNOLOGIES, LLC AND SHOULD NOT BE USED WITHOUT WRITTEN PERMISSION															
DIMENSION UNITS		SCALE		CURRENT REV DESC:											
mm		NTS		molex MEGA-FIT RIGHT ANGLE HEADER R/A HEADER ASSY 2-12 CKT PRODUCT CUSTOMER DRAWING											
GENERAL TOLERANCES (UNLESS SPECIFIED)															
ANGULAR TOL ± 3.0 °															
4 PLACES ±		EC NO: 720543								2022/08/30		DOC TYPE		DOC PART	
3 PLACES ±		DRWN: WYATTH5								2022/09/08		PSD		000	
2 PLACES ± 0.25		CHK'D: XQZHANG								2022/09/08		SD-76825-0100		E3	
1 PLACE ± 0.36		APPR: XQZHANG		INITIAL REVISION:		DOCUMENT NUMBER		REVISION							
0 PLACES ±		DRWN: MKARADIMAS		2010/11/15		SD-76825-0100		E3							
DRAFT WHERE APPLICABLE MUST REMAIN WITHIN DIMENSIONS		THIRD ANGLE PROJECTION		DRAWING		SERIES		SHEET NUMBER							
		A3-SIZE		76825		SEE TABLE		2 OF 3							

CKT SIZE	PART NO.	PLATING	DIM A	DIM B	DIM C	PK SPEC	
2	76825-0002	TIN	8.35	N/A	9.35	TRAY	
4	76825-0004	TIN	12.05	N/A	13.05		
6	76825-0006	TIN	17.75	11.4	18.75		
8	76825-0008	TIN	23.45	17.1	24.45		
10	76825-0010	TIN	29.15	22.8	30.15		
12	76825-0012	TIN	34.85	28.5	35.85		
2	172064-0002	15 GOLD	8.35	N/A	9.35		
4	172064-0004	15 GOLD	12.05	N/A	13.05		
6	172064-0006	15 GOLD	17.75	11.4	18.75		
8	172064-0008	15 GOLD	23.45	17.1	24.45		
10	172064-0010	15 GOLD	29.15	22.8	30.15		
12	172064-0012	15 GOLD	34.85	28.5	35.85		
2	172064-1002	30 GOLD	8.35	N/A	9.35		
4	172064-1004	30 GOLD	12.05	N/A	13.05		
6	172064-1006	30 GOLD	17.75	11.4	18.75		
8	172064-1008	30 GOLD	23.45	17.1	24.45		
10	172064-1010	30 GOLD	29.15	22.8	30.15		
12	172064-1012	30 GOLD	34.85	28.5	35.85		
*	2	76825-0902	TIN	8.35	N/A	TAPE&REEL	
*	4	76825-0904	TIN	12.05	N/A		13.05
*	6	76825-0906	TIN	17.75	11.4		18.75
	8	76825-0908	TIN	23.45	17.1		24.45
*	10	76825-0910	TIN	29.15	22.8		30.15
	12	76825-0912	TIN	34.85	28.5		35.85
*	2	172064-0902	15 GOLD	8.35	N/A		9.35
*	4	172064-0904	15 GOLD	12.05	N/A		13.05
*	6	172064-0906	15 GOLD	17.75	11.4		18.75
	8	172064-0908	15 GOLD	23.45	17.1		24.45
*	10	172064-0910	15 GOLD	29.15	22.8		30.15
	12	172064-0912	15 GOLD	34.85	28.5		35.85
*	2	172064-1902	30 GOLD	8.35	N/A		9.35
*	4	172064-1904	30 GOLD	12.05	N/A		13.05
*	6	172064-1906	30 GOLD	17.75	11.4		18.75
	8	172064-1908	30 GOLD	23.45	17.1		24.45
*	10	172064-1910	30 GOLD	29.15	22.8		30.15
	12	172064-1912	30 GOLD	34.85	28.5		35.85

* DESIGNATES PART NOT RELEASED
CONTACT FACTORY FOR AVAILABILITY.

THIS DRAWING CONTAINS INFORMATION THAT IS PROPRIETARY TO MOLEX ELECTRONIC TECHNOLOGIES, LLC AND SHOULD NOT BE USED WITHOUT WRITTEN PERMISSION													
DIMENSION UNITS		SCALE		CURRENT REV DESC:				molex					
mm		NTS											
GENERAL TOLERANCES (UNLESS SPECIFIED)				EC NO: 720543 DRWN: WYATTH5 2022/08/30 CHK'D: XQZHANG 2022/09/08 APPR: XQZHANG 2022/09/08 INITIAL REVISION: DRWN: MKARADIMAS 2010/11/15 APPR: APATEL 2012/06/13				MEGA-FIT RIGHT ANGLE HEADER R/A HEADER ASSY 2-12 CKT					
ANGULAR TOL ± 3.0 °								PRODUCT CUSTOMER DRAWING					
4 PLACES ±								DOCUMENT NUMBER		DOC TYPE		DOC PART	
3 PLACES ±								SD-76825-0100		PSD		000	
2 PLACES ± 0.25								REVISION		E3			
1 PLACE ± 0.36				MATERIAL NUMBER		CUSTOMER		SHEET NUMBER					
0 PLACES ±				SEE TABLE		GENERAL MARKET		3 OF 3					
DRAFT WHERE APPLICABLE MUST REMAIN WITHIN DIMENSIONS				THIRD ANGLE PROJECTION		DRAWING		SERIES					
						A3-SIZE		76825					