

| MATERIAL NO. | ENGINEERING NO. | FINISHED LENGTH |
|--------------|-----------------|-----------------|
| 1300080115 | 301002A01F030 | 3 FT. (0.91 M) |
| 1300080117 | 301002A01F060 | 6 FT. (1.83 M) |
| 1300080124 | 301002A01F200 | 20 FT. (6.10 M) |

CABLE LENGTH TOLERANCES

<.3M [1FT]: +19mm-0 [+ .75in-0]

.3 - .9M [1 - 3FT]: +44.5mm-0 [+1.75in-0]

.9 - 1.8M [3 - 6FT]: +55.6mm-0 [+2.19in-0]

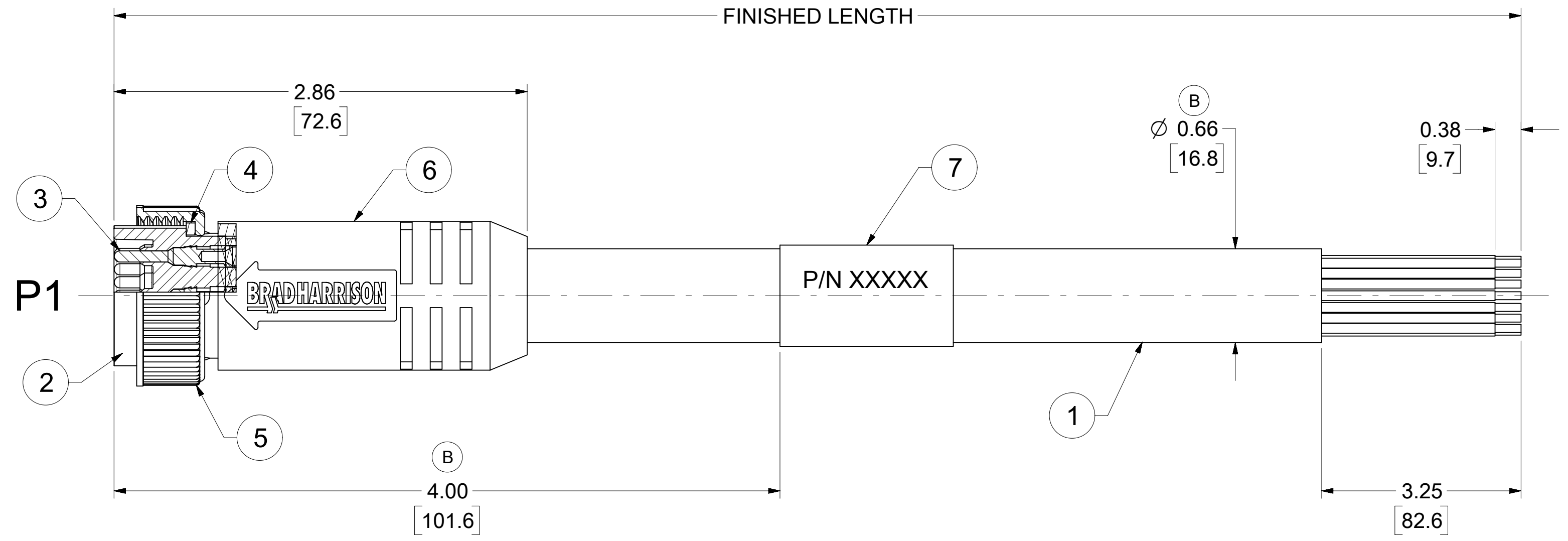
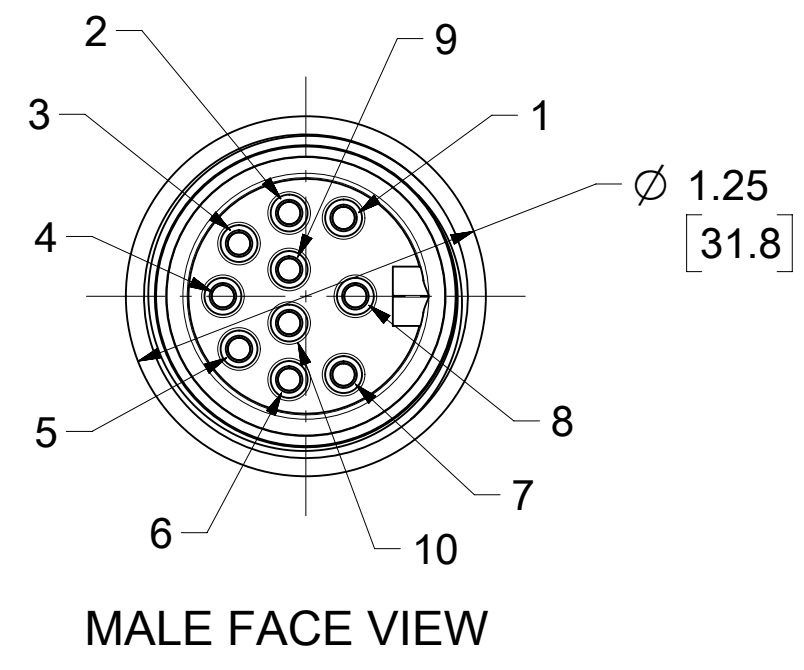
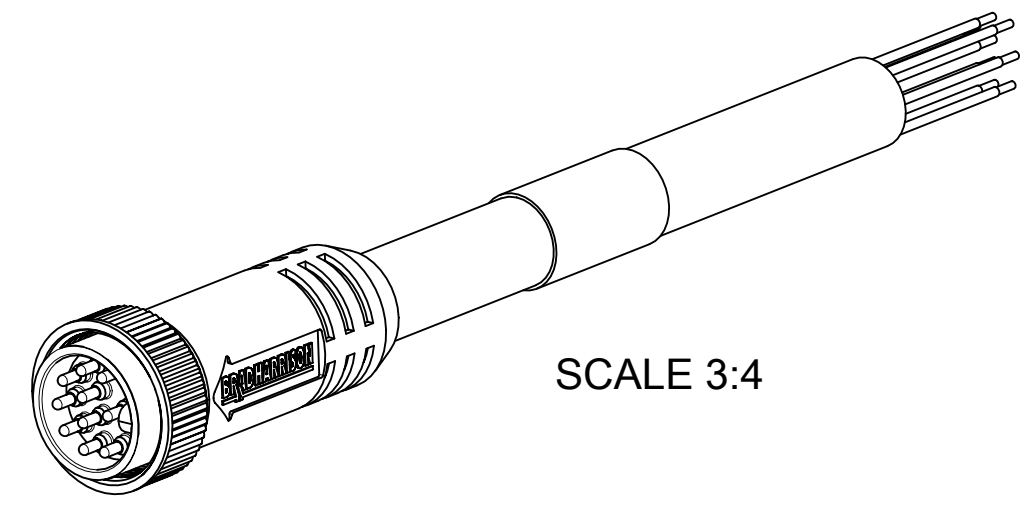
1.8 - 3.7M [6 - 12FT]: +88.9mm-0 [+3.50in-0]

3.7 - 7.3M [12 - 24FT]: +165.1mm-0 [+6.50in-0]

7.3-14.6M [24 - 48FT]: +317.5mm-0 [+12.50in-0]

14.6 - 30.5M [48-100FT]: +622.3mm-0 [+24.50in-0]

OVER 30M [100FT] +2% OF FINISHED LENGTH



- NOTES:
- MATERIAL: AS NOTED
 - FINISH: AS NOTED
 - ELECTRICAL:
 - VOLTAGE: 320V PER IEC60664
 - 600V PER UL2238
 - CURRENT: 7A
 - TEMP RATING: -20°C TO +105°C
 - PROTECTION: IP67 (WHEN MATED)
 - CSA CERTIFIED FILE: LR6837
 - UL RECOGNIZED FILE: E152210
 - COUPLING THREAD: 1 1/8"-16UN
 - ASSEMBLY IS ROHS COMPLIANT
 - ALL DIMS ARE FOR REFERENCE UNLESS TOLERANCED OR NOTED OTHERWISE

WIRING DIAGRAM

| P1 | Color |
|----|--------------------|
| 1 | ORANGE |
| 2 | BLUE |
| 3 | WHITE/BLACK TRACE |
| 4 | RED/BLACK TRACE |
| 5 | GREEN/BLACK TRACE |
| 6 | ORANGE/BLACK TRACE |
| 7 | RED |
| 8 | GREEN - GND |
| 9 | BLACK |
| 10 | WHITE |

PART NUMBER MATRIX

301002A01F030

FINISHED LENGTH
 F001= .1 FT
 F020= 2 FT
 F200= 20 FT

| 7 | LABEL | VINYL | BLACK/YELLOW |
|------|------------------------|---------------|------------------|
| 6 | OVERMOLD | TPE | YELLOW |
| 5 | COUPLING NUT | ZINC DIE CAST | BLACK E-COAT |
| 4 | FRICTION RING | NYLON | NATURAL |
| 3 | PIN CONTACT | Cu ALLOY | GOLD OVER NICKEL |
| 2 | INSERT, MALE, 10 POLE | TPE | YELLOW |
| 1 | #16-10 CABLE, STOOV/ST | PVC JACKET | YELLOW |
| ITEM | DESCRIPTION | MATERIAL | FINISH |

THIS DRAWING CONTAINS INFORMATION THAT IS PROPRIETARY TO MOLEX ELECTRONIC TECHNOLOGIES, LLC AND SHOULD NOT BE USED WITHOUT WRITTEN PERMISSION

| | | | | | |
|--|------------------------|--|---|--|--|
| DIMENSION UNITS | SCALE | CURRENT REV DESC: UPDATED ITEM #2,6,7, LABEL DIM. AND MATERIAL P/N TABLE. ADDED CSA, UL, IEC VOLT, TEMP RATING, IP RATING, TOL. CHART, PART NUMBER MATRIX AND CABLE DIA. | molex | | |
| INCH/MM | 1.5:1 | EC NO: 673727 | MINI-CHANGE CORDSET, C SIZE 10 POLE, MALE, STRAIGHT, SINGLE KEY, 16AWG | | |
| GENERAL TOLERANCES (UNLESS SPECIFIED) | | DRWN: AKABADI 2021/06/22 | PRODUCT CUSTOMER DRAWING | | |
| 4 PLACES | ± | CHK'D: RSTONE 2021/08/13 | DOCUMENT NUMBER | | |
| 3 PLACES | ± | APPR: BWOODMAN 2021/08/27 | DOC TYPE DOC PART REVISION | | |
| 2 PLACES | ± | INITIAL REVISION: | SD-130008-011 PSD 001 B | | |
| 1 PLACE | ± | DRWN: BRUPERT 2009/08/24 | MATERIAL NUMBER | | |
| 0 PLACES | ± | APPR: JFMURPHY 2009/08/27 | CUSTOMER | | |
| ANGULAR TOL | ± 0.5 ° | DRAWING | SHEET NUMBER | | |
| DRAFT WHERE APPLICABLE MUST REMAIN WITHIN DIMENSIONS | THIRD ANGLE PROJECTION | C-SIZE | 130008 | | |
| | | SERIES | GENERAL MARKET | | |