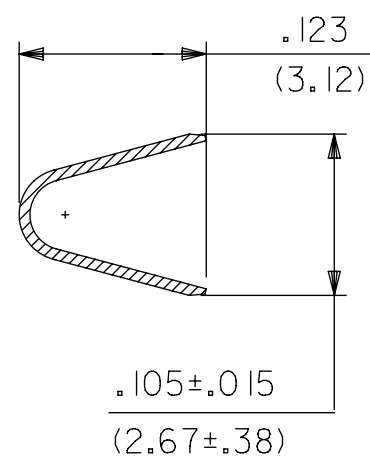
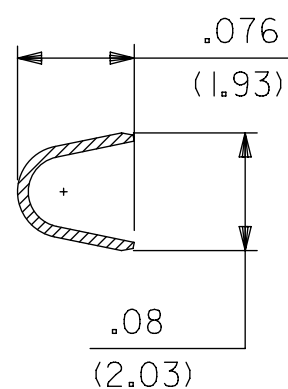


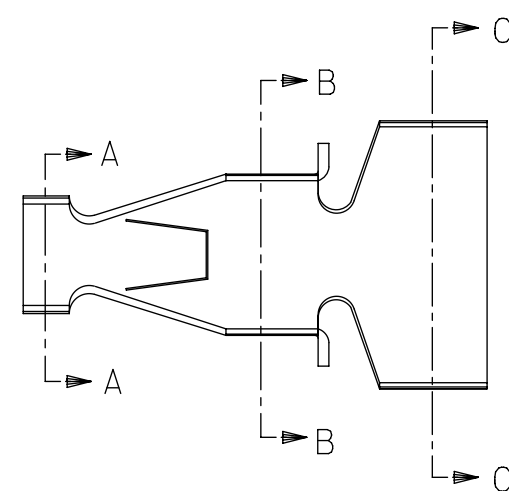
SECTION C-C



SECTION B-B



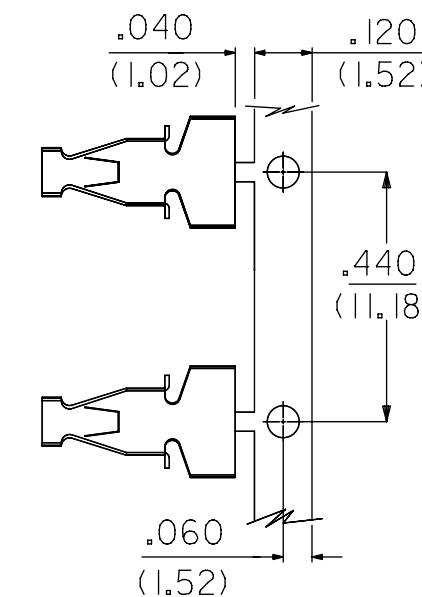
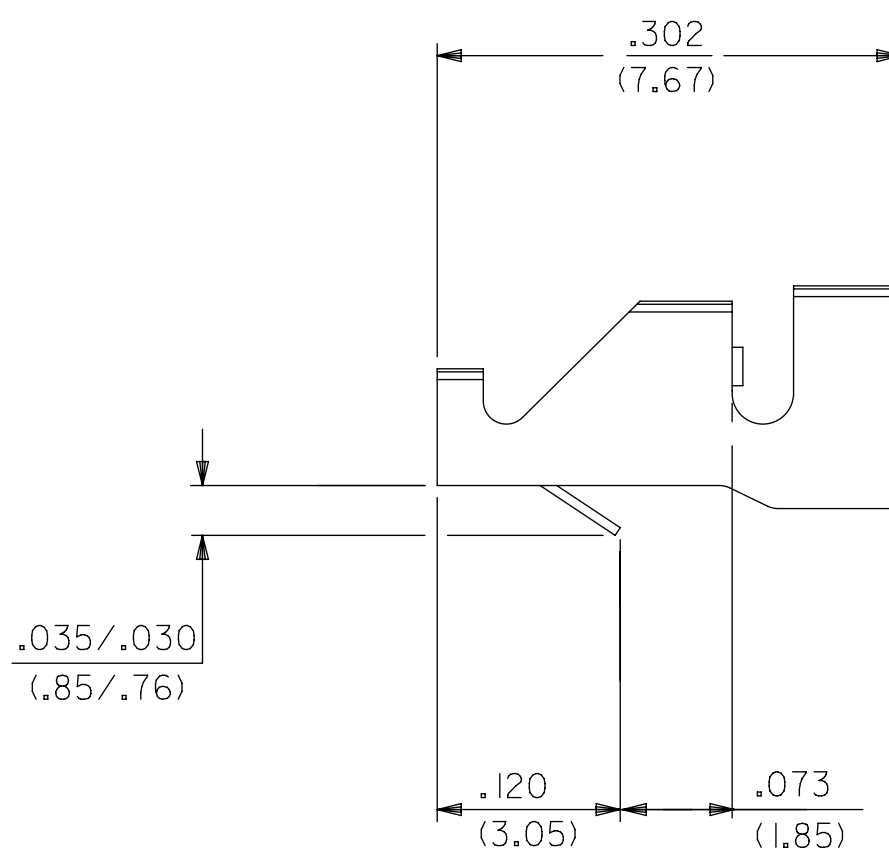
SECTION A-A



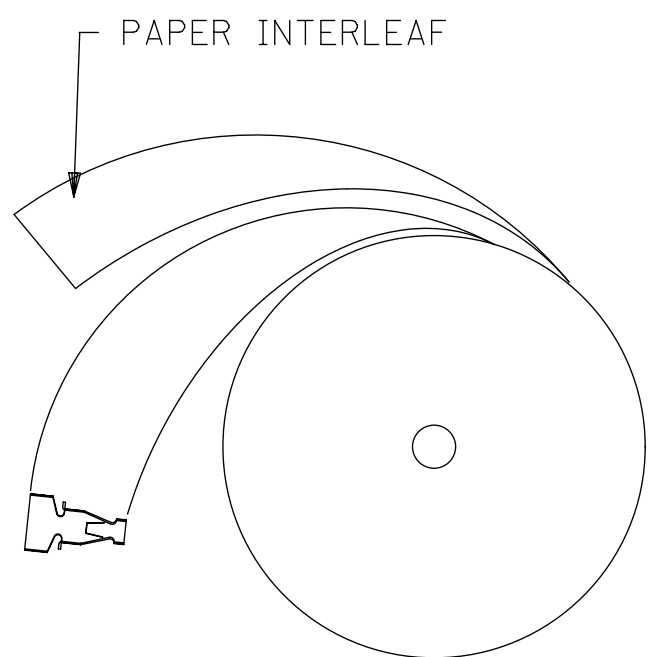
NOTES:

1. MATERIAL: BRASS, .008/(0.20) THICK
2. FINISH: P909 OVERALL HOT TIN DIP: .000100/(0.00254) MIN.
3. PRODUCT SPECIFICATION: PS-4706-001
4. PACKAGING SPECIFICATION: PK-4706-001
5. TERMINAL 4706-(\*\*\*)\* ACCEPTS 16 TO 18 AWG WIRE WITH INSULATION DIA. OF .120/(3.05) MAX.
6. TERMINALS CONFORM TO SOLDERABILITY SPEC SMES-152
7. THIS PART CONFORMS TO CLASS B REQUIRMENTS OF COSMETIC SPECIFICATION PS-45499-002.

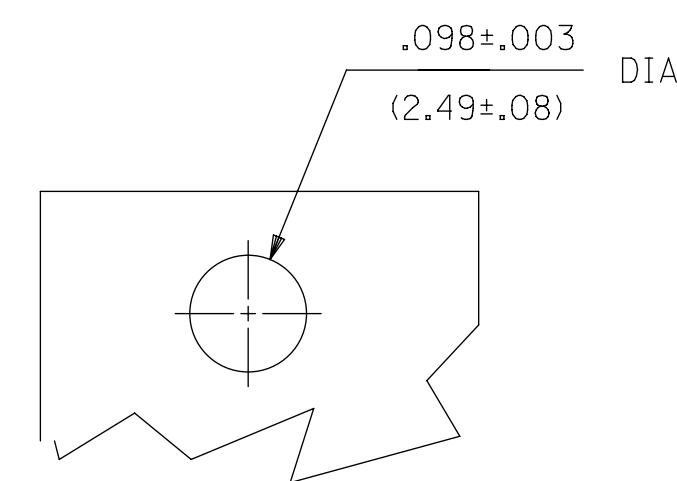
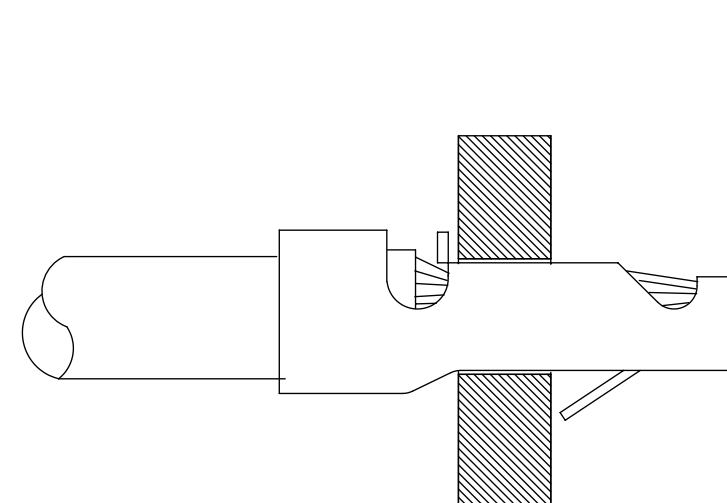
4706-\*(\*\*\*)\*  
 BLANK=SEE SHT 1  
 3=SEE SHEET 2  
 PLATING  
 FORM  
 BLANK=CHAIN  
 L=LOOSE



CARRIER DETAIL



WINDING SPEC



RECOMMENDED PC BOARD  
.062/(1.57)THICK

4706-(***)*	
PART NO.	ENGINEERING NO.
02-09-2105	4706-(P909)

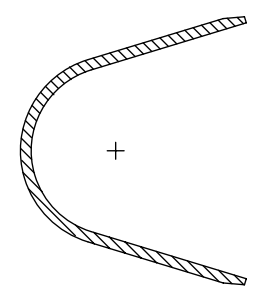
FUNCTIONAL SYMBOLS FA=0 FC=0 FP=0	THIS DRAWING CONTAINS INFORMATION THAT IS PROPRIETARY TO MOLEX ELECTRONIC TECHNOLOGIES, LLC AND SHOULD NOT BE USED WITHOUT WRITTEN PERMISSION										
	DIMENSION UNITS INCH/MM		SCALE NTS		CURRENT REV DESC: REVISE NOTES, ADD PK SPEC						
	GENERAL TOLERANCES (UNLESS SPECIFIED)										
	4 PLACES ±		MM		INCH		EC NO: 708187				
3 PLACES ±		± 0.01				DRWN: MKIPPER 2022/05/26					
2 PLACES ±		0.25 ± 0.14				CHK'D: SSOUSEK 2022/06/14					
1 PLACE ±		0.36 ±				APPR: FSMITH 2022/06/14					
0 PLACES ±						INITIAL REVISION:					
ANGULAR TOL ± 0.5°						DRWN: RFC_PLMIMP 2018/09/12					
DRAFT WHERE APPLICABLE MUST REMAIN WITHIN DIMENSIONS						APPR: YMARGULI 2001/09/07					
THIRD ANGLE PROJECTION		DRAWING		SERIES		MATERIAL NUMBER		CUSTOMER		SHEET NUMBER	
C-SIZE		4706		SEE CHART		GENERAL MARKET		1 OF 2			

**molex**

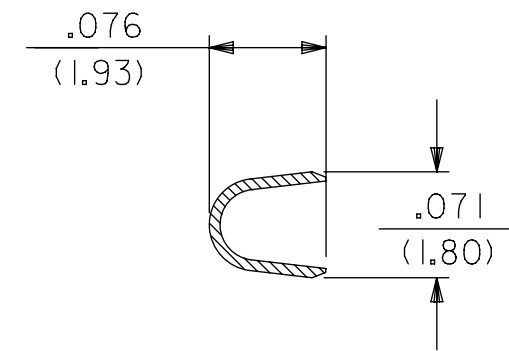
STRAIN RELIEF TERMINAL

PRODUCT CUSTOMER DRAWING

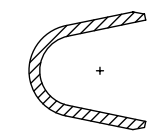
DOCUMENT NUMBER: SD-4706  
 DOC TYPE: PSD  
 DOC PART: 001  
 REVISION: J3



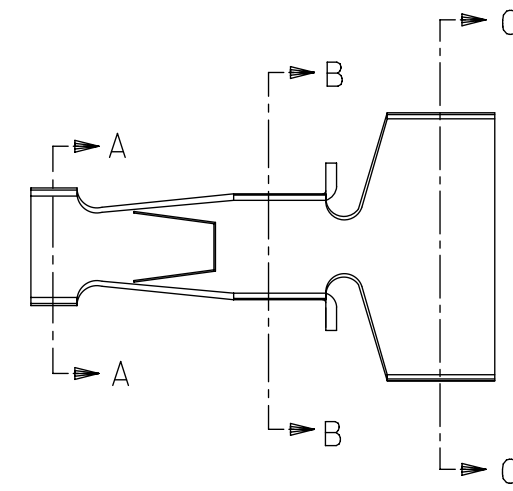
SECTION C-C



SECTION B-B



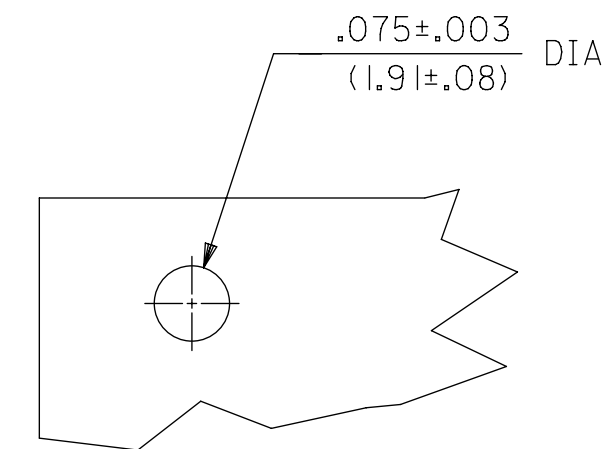
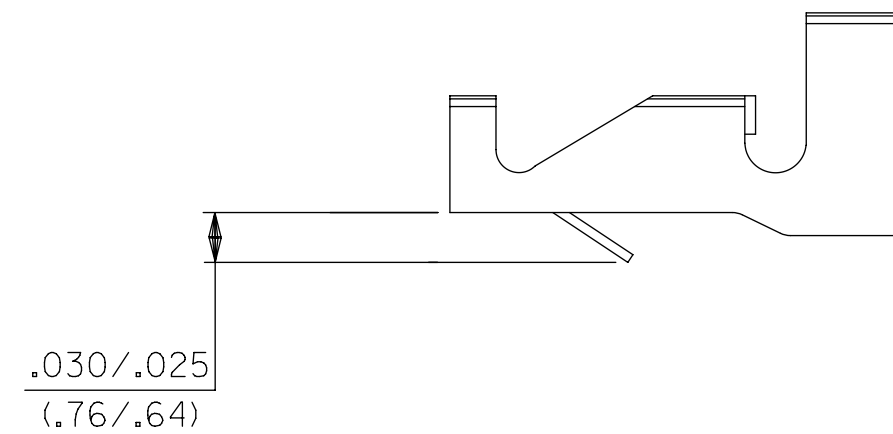
SECTION A-A



NOTES:

1. THIS PART IS THE SAME AS SHEET 1 EXCEPT AS SHOWN
2. MATERIAL: BRASS, .006/(0.15) THICK
3. FINISH: P909 OVERALL HOT TIN DIP: .000100/(0.00254) MIN.
4. TERMINAL 4706-3(\*\*\*)\* ACCEPTS 18 TO 24 AWG WIRE WITH INSULATION DIA. OF .120/(3.05) MAX.

4706-3(***)*	
PART NUMBER	ENGINEERING NO.
02-07-2101	4706-3(P909)



RECOMMENDED PC BOARD  
.062/(1.57) THICK

FUNCTIONAL SYMBOLS	THIS DRAWING CONTAINS INFORMATION THAT IS PROPRIETARY TO MOLEX ELECTRONIC TECHNOLOGIES, LLC AND SHOULD NOT BE USED WITHOUT WRITTEN PERMISSION									
	DIMENSION UNITS	SCALE		CURRENT REV DESC: REVISE NOTES, ADD PK SPEC						
$\frac{F}{A} = 0$	INCH/MM	NTS		EC NO: 708187						
$\frac{F}{C} = 0$	GENERAL TOLERANCES (UNLESS SPECIFIED)			DRWN: MKIPPER 2022/05/26						
$\frac{F}{P} = 0$		MM	INCH	CHK'D: SSOUSEK 2022/06/14						
DIVISIONAL SYMBOLS	4 PLACES	±	±	APPR: FSMITH 2022/06/14			PRODUCT CUSTOMER DRAWING			
	3 PLACES	±	± 0.01	INITIAL REVISION:						
	2 PLACES	± 0.25	± 0.14	DRWN: RFC_PLMIMP 2018/09/12						
	1 PLACE	± 0.36	±	APPR: YMARGULI 2001/09/07						
	0 PLACES	±	±	ANGULAR TOL ± 0.5 °						
DRAFT WHERE APPLICABLE MUST REMAIN WITHIN DIMENSIONS				THIRD ANGLE PROJECTION	DRAWING	SERIES	DOCUMENT NUMBER	DOC TYPE	DOC PART	REVISION
					C-SIZE	4706	SD-4706	PSD	001	J3
							MATERIAL NUMBER	CUSTOMER		SHEET NUMBER
							SEE CHART	GENERAL MARKET		2 OF 2