

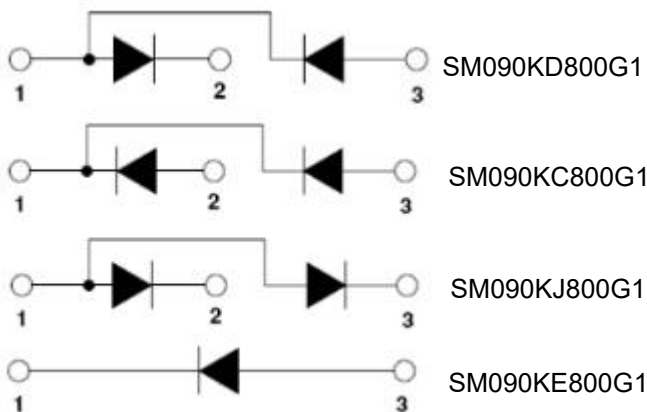
**SM090KD800G1 SM090KC800G1 SM090KJ800G1 SM090KE800G1**  
**Power Modules Standard Diodes**



**Features**

- Heat transfer through aluminum oxide DBC
- Ceramic isolated metal baseplate
- Industrial standard package
- Thick copper baseplate
- Plastic shell meets UL 94 V-0 flammability rating
- UL approved file E517293
- This is a Pb – Free Device
- Baseplate: Nickel plated; Terminals: Nickel plated
- T1 Package compatible with JEDEC TO-240AA package
- All SMC parts are traceable to the wafer lot
- Additional testing can be offered upon request

**Circuit Diagram**



**Applications**

- Power Supplies
- AC&DC Motor Drivers
- Bridge Circuits
- Welders
- Battery Supplier

**Maximum Ratings@T<sub>J</sub>=25°C unless otherwise specified**

Characteristics	Symbol	Condition	Max.	Units
Peak Repetitive Reverse Voltage	V <sub>RRM</sub>	-	800	V
Working Peak Reverse Voltage	V <sub>RWM</sub>	-	800	V
DC Blocking Voltage	V <sub>R</sub>	-	800	V
Maximum average forward current at case temperature	I <sub>F(AV)</sub>	180°conduction, half sine wave T <sub>C</sub> =112°C	100	A
Maximum RMS forward current	I <sub>F(RMS)</sub>	DC at 90 °C case temperature	157	A
Surge forward current	I <sub>FSM</sub>	t=10mS T <sub>J</sub> =45°C	2000	A
Maximum I <sup>2</sup> t for fusing	I <sup>2</sup> t	t=10mS T <sub>J</sub> =45°C	20	kA <sup>2</sup> s
Low level value of threshold voltage	r <sub>f1</sub>	(16.7 % × π × I <sub>F(AV)</sub> < I < π × I <sub>F(AV)</sub> ), T <sub>J</sub> = T <sub>J</sub> maximum	2.4	mΩ
High level value of threshold voltage	r <sub>f2</sub>	(I > π × I <sub>F(AV)</sub> ), T <sub>J</sub> = T <sub>J</sub> maximum	2.05	

**Electrical Characteristics@T<sub>J</sub>=25°C unless otherwise specified**

Characteristics	Symbol	Condition	Typ.	Max.	Units
Forward Voltage Drop(per leg)*	V <sub>F1</sub>	@ 100A, Pulse, T <sub>J</sub> = 25 °C	0.95	1.15	V
Reverse Current(per leg)*	I <sub>R1</sub>	@ V <sub>R</sub> = rated V <sub>R</sub> T <sub>J</sub> = 25 °C	0.42	20	uA
	I <sub>R2</sub>	@ V <sub>R</sub> = rated V <sub>R</sub> T <sub>J</sub> = 150°C	0.22	5	mA
Insulation Voltage	V <sub>isol</sub>	Ac. 50Hz; R.M.S; 1min	-	3000	V
		Ac. 50Hz; R.M.S; 1sec	-	3500	V

\* Pulse width < 300 μs, duty cycle < 2%

**Thermal-Mechanical Specifications@T<sub>J</sub>=25°C unless otherwise specified**

Characteristics	Symbol	Condition	Specification		Units
Junction Temperature	T <sub>J</sub>	-	-40~+150		°C
Storage Temperature	T <sub>stg</sub>	-	-40~+150		°C
Maximum internal thermal resistance, junction to case per leg	R <sub>th(J-C)</sub>	DC operation	0.22		°C/W
Typical thermal resistance, case to heatsink per module	R <sub>th(C-S)</sub>	-	0.1		°C/W
Mounting Torque ± 15%	T <sub>M</sub>	-	Mounting Torque(M6)	5	Nm
			Terminal Torque(M5)	4	
Module(Approximately)	Weight		100		g

**Ratings and Characteristics Curves**

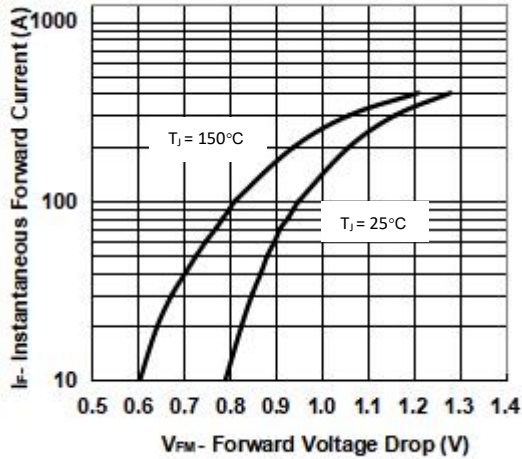


Fig. 1 - Typical Forward Characteristics

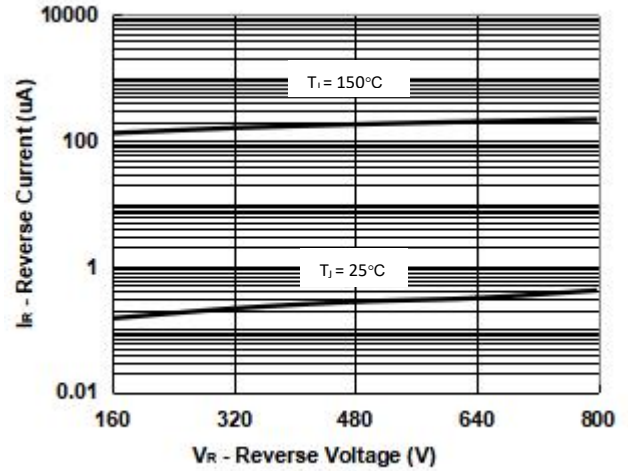


Fig. 2 - Typical Reverse Characteristics

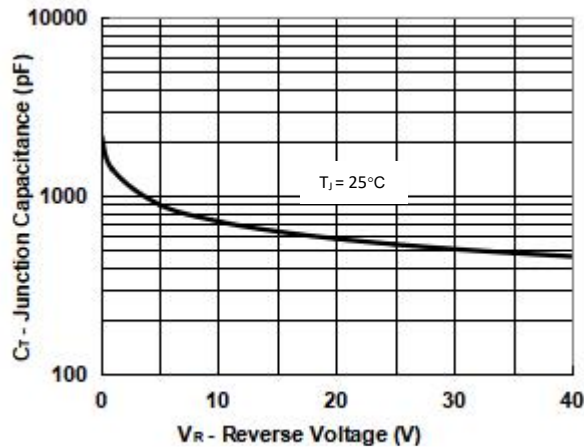


Fig. 3 - Typical Junction Capacitance

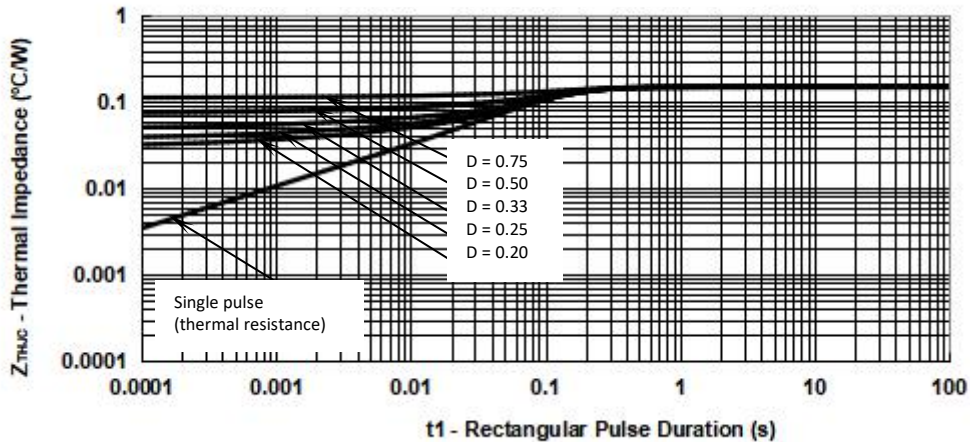
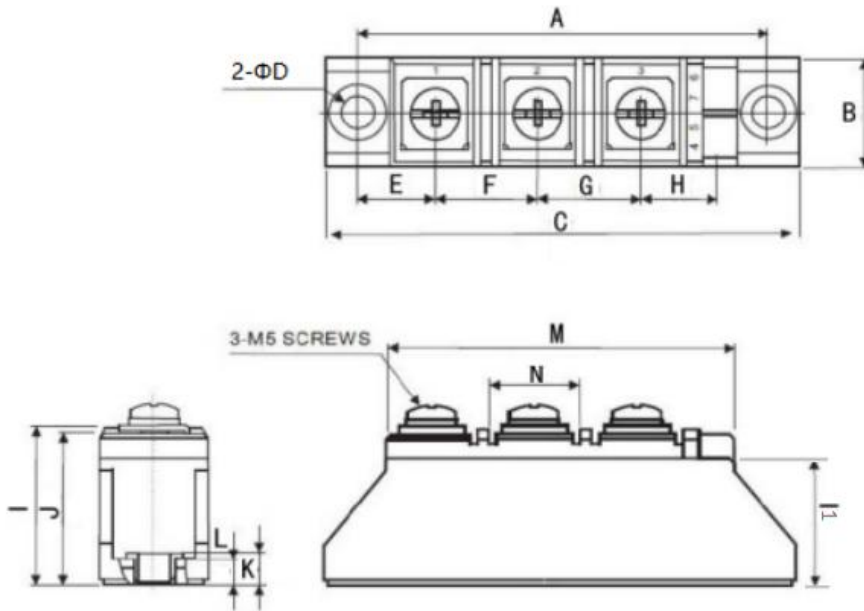


Fig. 4 Typical Thermal Impedance  $Z_{thJC}$  Characteristics (Per Leg)

**Mechanical Dimensions T1 (Millimeters)**



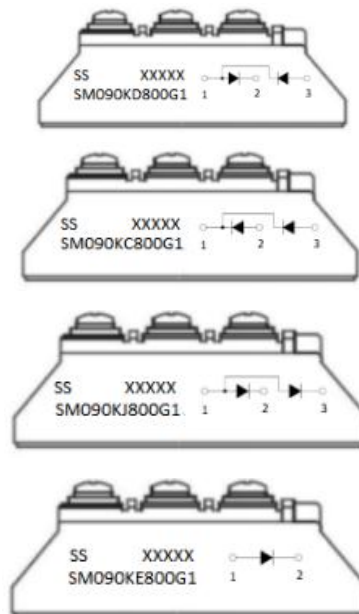
SYMBOL	Millimeters	
	Min.	Max.
A	79.5	80.5
B	20.8	21.2
C	91.35	92.75
ΦD	6.1	6.5
E	14.5	15.5
F	19.5	20.5
G	19.5	20.5
H	14.5	15.5
I	30.5	31.5
I1	24	25
J	29	30
K	5.7	6.3
L	4.7	5.3
M	67.5	68.5
N	17.5	18.5

**Ordering Information**

Device	Package	Shipping
SM090KD800G1	T1	14pcs/ box
SM090KC800G1		
SM090KJ800G1		
SM090KE800G1		

For information on tape and reel specifications, including part orientation and tape sizes, please refer to our tape and reel packaging specification.

**Marking Diagram**



Where XXXX is YYWW

SM090KD800G1 = Part name  
 SM090KC800G1 = Part name  
 SM090KJ800G1 = Part name  
 SM090KE800G1 = Part name  
 SS = SS  
 YY = Year  
 WW = Week  
 L = Lot Number



**SM090KD800G1**  
**SM090KC800G1**  
**SM090KJ800G1**  
**SM090KE800G1**

**Technical Data**  
**Data Sheet N2205, Rev.E**



**DISCLAIMER:**

- 1- The information given herein, including the specifications and dimensions, is subject to change without prior notice to improve product characteristics. Before ordering, purchasers are advised to contact the SMC Diode Solutions sales department for the latest version of the datasheet(s).
- 2- In cases where extremely high reliability is required (such as use in nuclear power control, aerospace and aviation, traffic equipment, medical equipment, and safety equipment), safety should be ensured by using semiconductor devices that feature assured safety or by means of users' fail-safe precautions or other arrangement.
- 3- In no event shall SMC Diode Solutions be liable for any damages that may result from an accident or any other cause during operation of the user's units according to the datasheet(s). SMC Diode Solution assumes no responsibility for any intellectual property claims or any other problems that may result from applications of information, products or circuits described in the datasheets.
- 4- In no event shall SMC Diode Solutions be liable for any failure in a semiconductor device or any secondary damage resulting from use at a value exceeding the absolute maximum rating.
- 5- No license is granted by the datasheet(s) under any patents or other rights of any third party or SMC Diode Solutions.
- 6- The datasheet(s) may not be reproduced or duplicated, in any form, in whole or part, without the expressed written permission of SMC Diode Solutions.
- 7- The products (technologies) described in the datasheet(s) are not to be provided to any party whose purpose in their application will hinder maintenance of international peace and safety nor are they to be applied to that purpose by their direct purchasers or any third party. When exporting these products (technologies), the necessary procedures are to be taken in accordance with related laws and regulations..