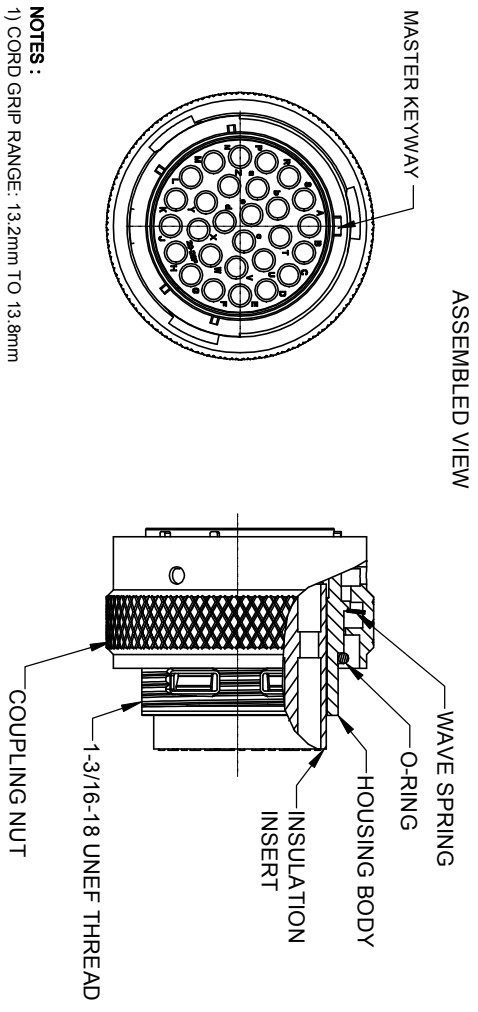
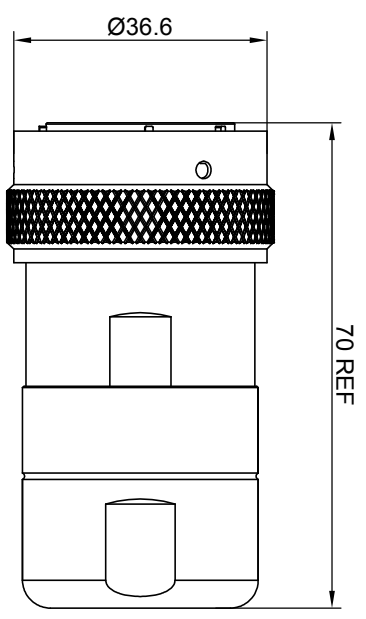
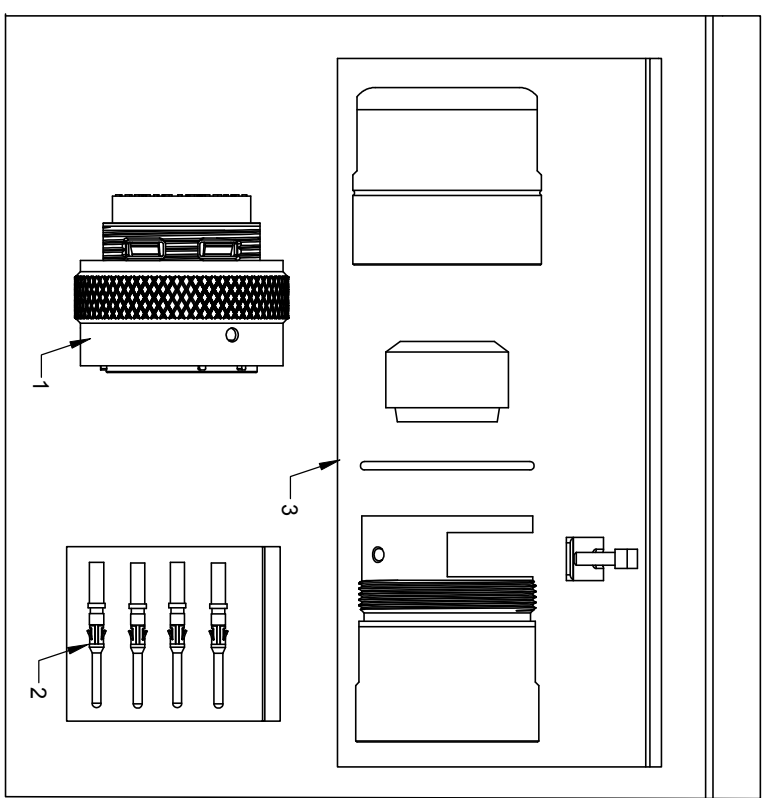


REVISIONS				
REV	ECO	DESCRIPTION	DATE	BY
A1	-	RELEASED DRAWING	Feb-13-2019	Blink
				Tommy

ILLUSTRATION: COMPLETE KIT



- NOTES:**
- 1) CORD GRIP RANGE: 13.2mm TO 13.8mm
 - 2) CONTACT BARREL RANGE: 16AWG TO 18AWG
 - 3) EXTRACTION TOOL: QXRT16
 - 4) MATERIALS:
HOUSING BODY: ZINC DIE CAST, NICKEL PLATED
COUPLING NUT: ALUMINUM ALLOY, NICKEL PLATED
WAVE SPRING: STAINLESS STEEL
INSULATION INSERT: PA66, UL94V-0
CONTACT: BRASS, GOLD FLASH PLATED
SEAL AND O-RING: NBR (NITRILE BUTADIENE RUBBER)
 - 5) ELECTRICAL DATA:
a) CURRENT (MAX): 3A
b) VOLTAGE (MAX): 500V AC/DC
c) INSULATION RESISTANCE (MIN): 5000M OHMS
d) TEST VOLTAGE (BETWEEN CONTACTS): 2000V

- 6) TECHNICAL DATA:
a) TEMPERATURE RANGE: -40° C TO 105° C
b) PROTECTION: IP67 (MATED CONDITION)
c) MATING CYCLES: >500
7) ROHS COMPLIANT

1	RT0L-20CPG-S5	CLAMP GRIP	3
28	MP16M23F	CONTACT, SIZE 16, PIN	2
1	RT062028P4H	CONNECTOR	1
QUANTITY		PART NUMBER	ITEM

UNLESS OTHERWISE SPECIFIED		SIGNATURES		DATE	
1) All dimensions are in metric (mm).	DRAWN:	Blink	Feb-13-2019		
2) Dimensions are in inches (in).	CHECKED:	Td	Feb-13-2019		
3) Hole reference = Δ	ENGINEER:				
	APPROVAL:	Tommy	Feb-13-2019		

PROCESS SPECIFICATIONS:	MATERIAL SPECIFICATIONS:	CUSTOMER:	SIZE	TYPE	DWG NO.	REVISION
THIS DRAWING IS SUPPLIED FOR INFORMATION ONLY. DESIGN FEATURES, DIMENSIONS, AND MATERIALS ARE SUBJECT TO CHANGE WITHOUT NOTICE. THE APPEARANCE, CORROSION, NO RIGHTS DIMENSIONS ARE SUBJECT TO NORMAL MANUFACTURING VARIATIONS.			B	C-	RT062028P4H-K	A1

MATERIALS LIST	
Amphenol	
Sine Systems - www.amphenol-sine.com	
44724 Morley Drive	
Clinton Township, MI 48036	
KIT, ECO-MATE	