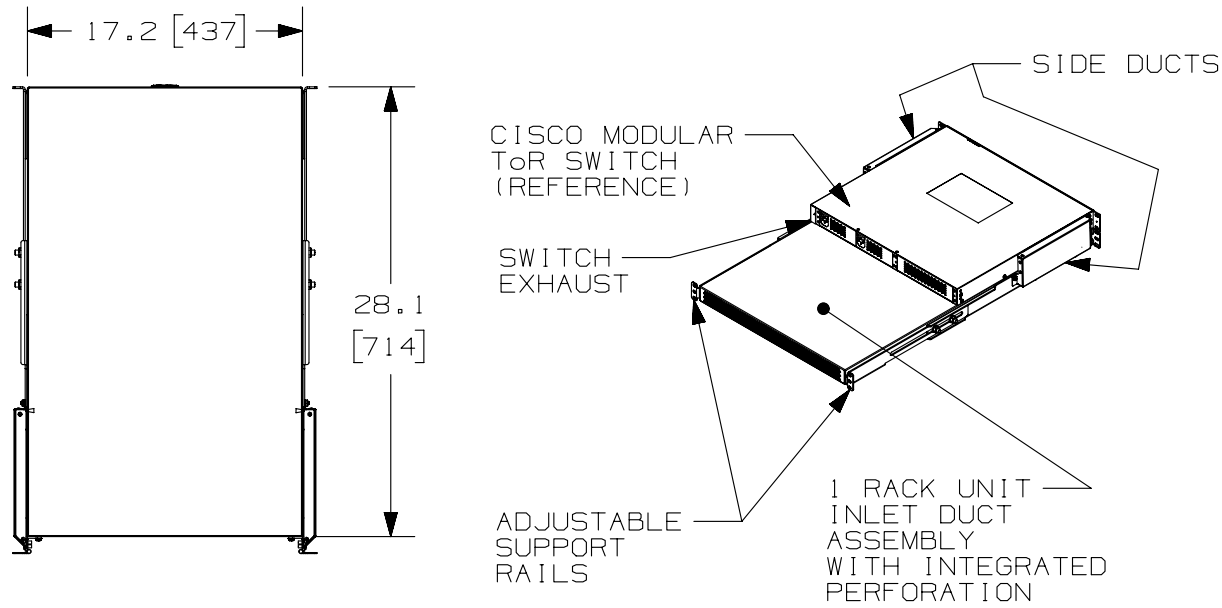


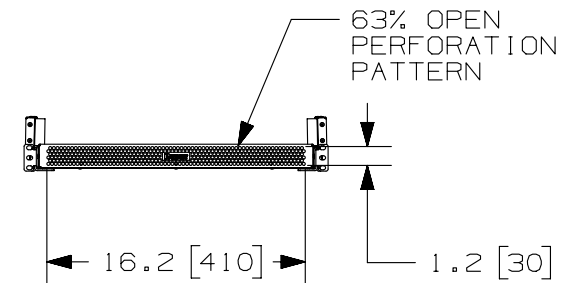
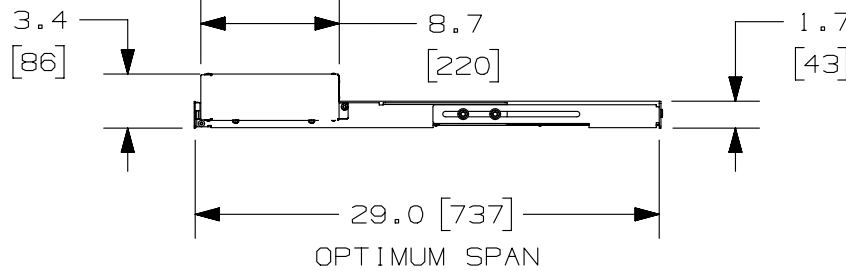
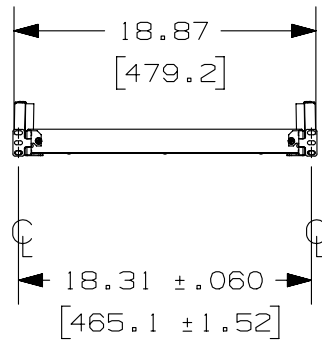
THIS COPY IS PROVIDED ON A RESTRICTED BASIS AND IS NOT TO BE USED IN ANY WAY DETRIMENTAL TO THE INTERESTS OF PANDUIT CORP.



PANDUIT PART NO.	WEIGHT
CDE1	15.0 LBS/EACH 6.8 kg/EACH

NOTES:

- DIMENSIONS IN PARENTHESIS ARE METRIC (mm).
- PARTS SUPPLIED:
  - INLET DUCT ASSEMBLY
  - SIDE DUCTS WITH SUPPORT RAILS
  - MOUNTING HARDWARE KIT
  - CMPHF1 D-RING CABLE MANAGER
- SUPPORT RAILS ADJUST FROM 27.0" TO 29.0" DEPTH.



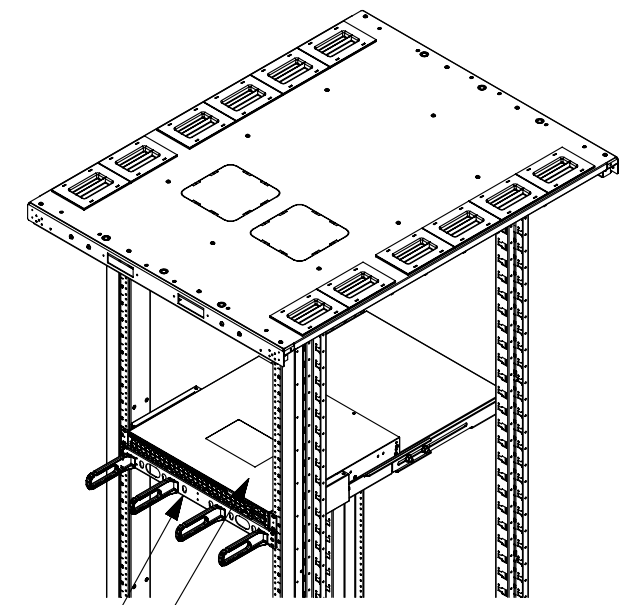
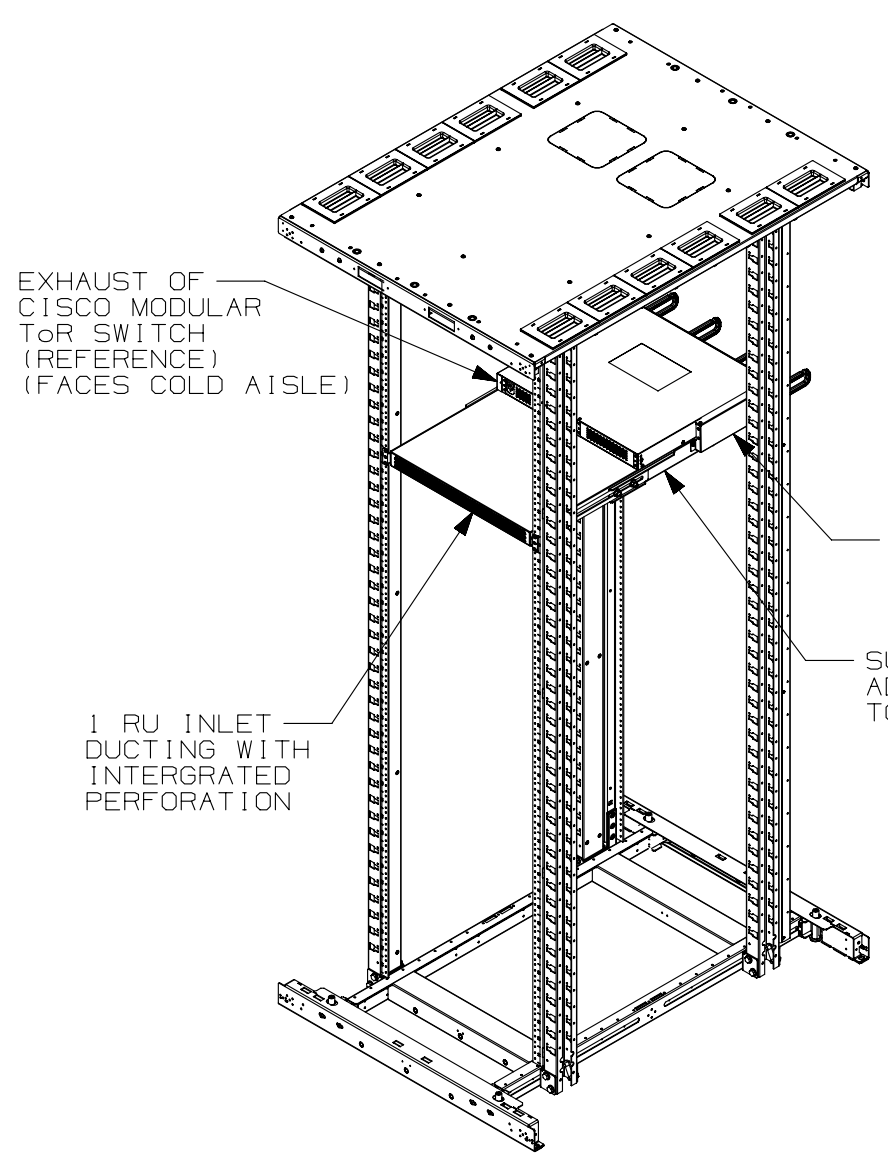
REV	DATE	BY	CHK	APR	DESCRIPTION	ECN
08A	03/05/13	PJST			RELEASED TO PRODUCTION	V10683AE

TITLE		MODULAR ToR SWITCH INLET DUCT (CDE1)		
CONTROL DRAWING				
ITEM REVISION NAME		V10683AE/08		
DATASET FILE NAME		V10683AE_DC/08A		
MATERIAL:		N/A		
DRAWING NUMBER:		V10683AE		
DRAWN BY	DATE	CHK	SCALE	SIZE
RCHA/L EE	05/14/09		N/A	A
SHT 1 OF 2				

2

1

THIS COPY IS PROVIDED ON A RESTRICTED BASIS AND IS NOT TO BE USED IN ANY WAY DETRIMENTAL TO THE INTERESTS OF PANDUIT CORP.



TITLE		<b>MODULAR ToR SWITCH INLET DUCT (CDE1)</b>						
		CUSTOMER DRAWING						
ITEM REVISION NAME		V10683AE/08						
DATASET FILE NAME		V10683AE_DC/08A						
		<b>PANDUIT</b>						
MATERIAL:		N/A						
DRAWING NUMBER:		V10683AE						
DRAWN BY	DATE	CHK	SCALE	SIZE				
RCHA/L EE	05/14/09		N/A	A				
REV		DATE	BY	CHK	APR	DESCRIPTION	ECN	SHT 2 OF 2
08A	03/05/13	PJST				RELEASED TO PRODUCTION	V10683AE	

2