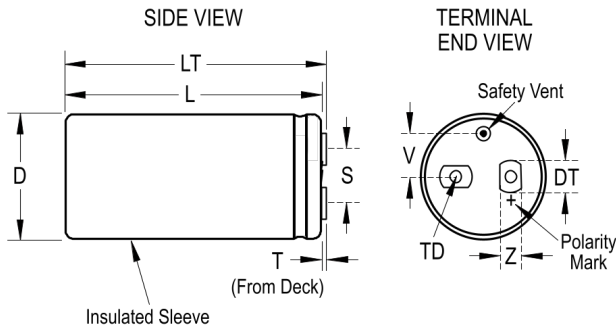


## ALS30A154QP063

Aliases (A331US154M063A)

ALS30, Aluminum Electrolytic, 150,000 uF, 20%, 63 VDC, -40/+85°C



Click [here](#) for the 3D model.

### Dimensions

|    |                 |
|----|-----------------|
| D  | 90mm +/-1mm     |
| L  | 146mm +/-2mm    |
| T  | 5.5mm +/-0.5mm  |
| S  | 31.8mm +/-0.5mm |
| DT | 13mm +/-0.5mm   |
| LT | 149.5mm +/-1mm  |
| TD | 10mm MIN        |
| V  | 25mm NOM        |
| Z  | 10mm NOM        |

### Packaging Specifications

|           |           |
|-----------|-----------|
| Sleeving  | Yes       |
| Packaging | Bulk, Box |

### General Information

|                  |  |
|------------------|--|
| Series           | ALS30  |
| Dielectric       | Aluminum Electrolytic  |
| Description      | Screw Terminal, Aluminum Electrolytic  |
| RoHS             | Yes  |
| AEC-Q200         | No   |
| Component Weight | 1345 g   |
| Notes            | Dimensions D And L Include Sleeving. MS (MxH) = M12x16. Mounting Clamp (Sold Separately): V90N |
| Shelf Life       | 156 Weeks  |

### Specifications

|                       |   |
|-----------------------|---|
| Capacitance           | 150,000 uF  |
| Capacitance Tolerance | 20%   |
| Voltage DC            | 63 VDC, 72.5 VDC (Surge)  |
| Temperature Range     | -40/+85°C   |
| Rated Temperature     | 85°C  |
| Life                  | 20000 Hrs (Rated Voltage And Ripple Current At 85C), 40000 Hrs (Rated Voltage At 85C) |
| Resistance            | 5 mOhms (100Hz 20C), 5 mOhms (10kHz 20C)  |
| Ripple Current        | 40.2 Amps (100Hz 85C), 40.7 Amps (10kHz 85C)  |
| Leakage Current       | 6000 uA (5min 20°C)   |