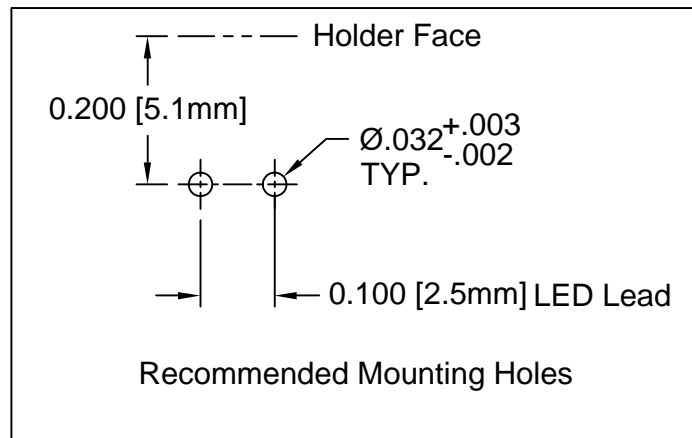
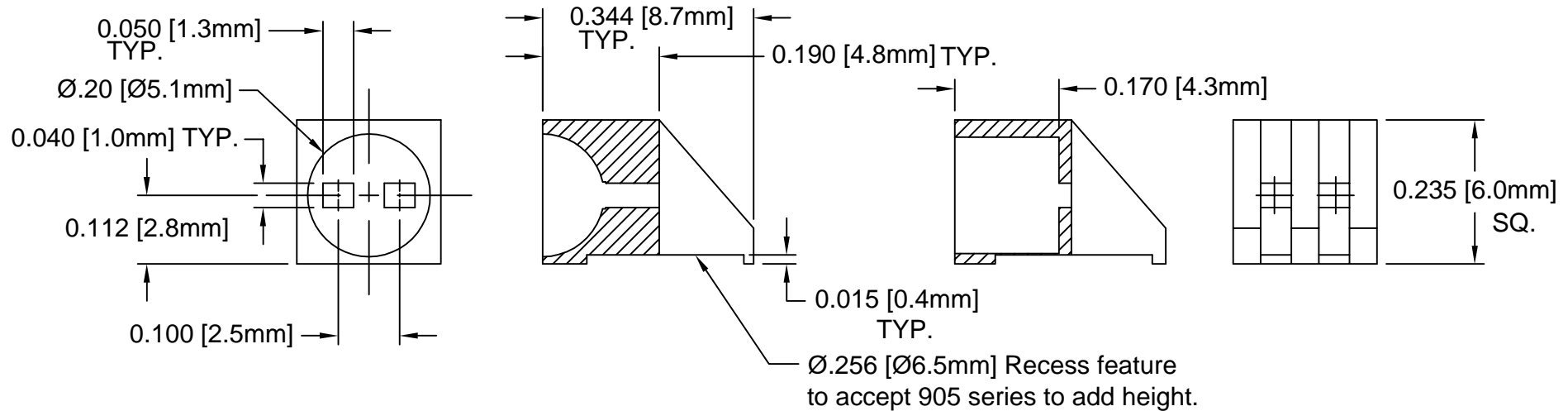


REV.	DESCRIPTION	DATE	APPROVED
B	Engineering Update w/o Changes	02/23/04	M. C.
C	Tolerance Update	03/13/06	M. C.



### 909-235 XX

### 909-235R XX



HOLDER	MATERIAL CODE
909-235 NT	A
909-235 BK	B
909-235R NT	A
909-235R BK	B

- MATERIAL B: NYLON 6/6, 94V-2, BLACK. BIVAR MATERIAL CODE 03-NL-BK. BASF ULTRAMID NYLON 6/6 A3K NATURAL W/BLACK PIGMENT ADDED.
- MATERIAL A: NYLON 6/6, 94V-2, NATURAL. BIVAR MATERIAL CODE 03-NL. BASF ULTRAMID NYLON 6/6 A3K NATURAL.
- GENERAL SPECIFICATIONS: BIVAR MOLDED COMPONENT SPECIFICATION BV00-E101.

STANDARD TOLERANCE ( UNLESS OTHERWISE SPECIFIED )		 4 THOMAS, IRVINE, CA. 92618 TEL: (949) 951-8808 FAX: (949) 951-3974	
DECIMALS	ANGULAR		
.X ±.1	X° ±1°		<b>TITLE:</b> SINGLE T-1(3mm) LED HOLDER
.XX ±.01			<b>PART NO:</b> 909-235X XX
.XXX ±.005			<b>REVISION:</b> C
<b>DESIGNED:</b> David Green	<b>DATE:</b> 04/24/03	<b>CAGE CODE :</b> 32559	<b>SHEET #</b> 1 <b>OF</b> 1
<b>CHECKED:</b> M. Chen	<b>DATE:</b> 04/24/03	CAD GENERATED DOCUMENT, DO NOT MEASURE DRAWING.	