











Discontinuation Notice of CCTV Lens, Non-telecentric Macro Lens, Polarizing Filter, Rear Converter Lens and Close-up Ring 3Z4S-LE ML Series.

Product Discontinuation		Recommended Replacement
CCTV Lens		CCTV Lens
 Model 3Z4S-LE ML-□□□□□□		Model 3Z4S-LE SV-□□□□□□V
Non-telecentric Macro Lens		Non-telecentric Macro Lens
 Model 3Z4S-LE ML□□-□□□□N		Model 3Z4S-LE VS-MC□□-□□□□
Polarizing Filter		Polarizing Filter
 Model 3Z4S-LE ML-PL□□□□		Model 3Z4S-LE SV-PL□□□□
Rear Converter Lens		Rear Converter Lens
 Model 3Z4S-LE ML-□□□□X Model 3Z4S-LE ML-2.5X		Model 3Z4S-LE SV-□□□□X Model ML-2.5X (Moritex)
Close-up Ring		Close-up Ring
 Model 3Z4S-LE ML-EXR□□□□ Model 3Z4S-LE ML-EXR100		Model 3Z4S-LE SV-EXR□□□□ Model ML-EXR100 (Moritex)

[Discontinuation date]

The end of March, 2013

[Caution on recommended replacement]

The size for the filter of the replacement product 3Z4S-LE SV-10035 is different.

And please confirm when using the replacement products, because the outline of them is not completely equal.

Please contact to Moritex corporation directly, because we do not have the replacement products for the following models.

Model 3Z4S-LE ML-2.5X

Model 3Z4S-LE ML-EXR100

[Difference from discontinued product]

Recommended replacement Model	Body Color	Dimensions	Wire connection	Mounting Dimensions	Characteristics	Operation ratings	Operation methods
3Z4S-LE SV-□□□□V	*	*	-	**	*	-	**
3Z4S-LE VS-MC□□-□□□	**	**	-	*	*	-	**
3Z4S-LE SV-PL□□□	**	**	-	**	-	-	-
3Z4S-LE SV-□□□X	**	**	-	**	-	-	-
ML-2.5X (Moritex)	**	**	-	**	-	-	-
3Z4S-LE SV-EXR**	**	**	-	**	-	-	-
ML-EXR100 (Moritex)	**	**	-	**	-	-	-

** : Fully compatible
 * : The change is a little/Almost compatible
 -- : Not compatible
 - : No corresponding specification

[Product Discontinuation and recommended replacement]

Product discontinuation	Recommended replacement
3Z4S-LE ML-0614	3Z4S-LE SV-0614V
3Z4S-LE ML-0813	3Z4S-LE SV-0813V
3Z4S-LE ML-1214	3Z4S-LE SV-1214V
3Z4S-LE ML-1614	3Z4S-LE SV-1614V
3Z4S-LE ML-2514	3Z4S-LE SV-2514V
3Z4S-LE ML-3519	3Z4S-LE SV-3518V
3Z4S-LE ML-5018	3Z4S-LE SV-5018V
3Z4S-LE ML-7527	3Z4S-LE SV-7527V
3Z4S-LE ML-10035	3Z4S-LE SV-10035V
3Z4S-LE ML01-327N	3Z4S-LE VS-MC01-330
3Z4S-LE ML03-181N	3Z4S-LE VS-MC03-180
3Z4S-LE ML05-132N	3Z4S-LE VS-MC05-130
3Z4S-LE ML1-89N	3Z4S-LE VS-MC1-80
3Z4S-LE ML-PL255	3Z4S-LE SV-PL255
3Z4S-LE ML-PL270	3Z4S-LE SV-PL270
3Z4S-LE ML-PL305	3Z4S-LE SV-PL305
3Z4S-LE ML-1.5X	3Z4S-LE SV-1.5X
3Z4S-LE ML-2X	3Z4S-LE SV-2.0X
3Z4S-LE ML-2.5X	ML-2.5X (Moritex)
3Z4S-LE ML-EXR05	3Z4S-LE SV-EXR05
3Z4S-LE ML-EXR1	3Z4S-LE SV-EXR1
3Z4S-LE ML-EXR2	3Z4S-LE SV-EXR2
3Z4S-LE ML-EXR5	3Z4S-LE SV-EXR5
3Z4S-LE ML-EXR10	3Z4S-LE SV-EXR10
3Z4S-LE ML-EXR15	3Z4S-LE SV-EXR15
3Z4S-LE ML-EXR20	3Z4S-LE SV-EXR20
3Z4S-LE ML-EXR25	3Z4S-LE SV-EXR25
3Z4S-LE ML-EXR30	3Z4S-LE SV-EXR30
3Z4S-LE ML-EXR40	3Z4S-LE SV-EXR40
3Z4S-LE ML-EXR50	3Z4S-LE SV-EXR50
3Z4S-LE ML-EXR100	ML-EXR100 (Moritex)
3Z4S-LE ML-EXR	3Z4S-LE SV-EXR


[Body color]

<p>Product discontinuation CCTV Lens Model 3Z4S-LE ML Series</p>	<p>Recommendable replacement CCTV Lens Model 3Z4S-LE SV-V Series</p>
<p>C-Mount : Silver</p> 	<p>C-Mount : Black</p> 

<p>Product discontinuation Non-telecentric Macro Lens Model 3Z4S-LE ML-N Series</p>	<p>Recommendable replacement Non-telecentric Macro Lens Model 3Z4S-LE VS-MC Series</p>
	

<p>Product discontinuation Polarizing Filter Model 3Z4S-LE ML-PL Series</p>	<p>Recommendable replacement Polarizing Filter Model 3Z4S-LE SV-PL Series</p>
	

<p>Product discontinuation Rear Converter Lens Model 3Z4S-LE ML-X Series</p>	<p>Recommendable replacement Rear Converter Lens Model 3Z4S-LE SV-X Series</p>
	

<p>Product discontinuation Close-up Ring Model 3Z4S-LE ML-EXR Series</p>	<p>Recommendable replacement Close-up Ring Model 3Z4S-LE SV-EXR Series</p>
	

[Dimensions]

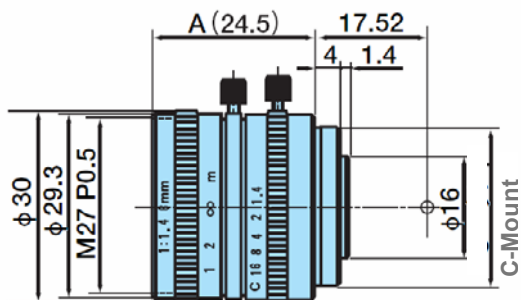
<p>Product discontinuation CCTV Lens Model 3Z4S-LE ML-0614</p>	<p>Recommendable replacement CCTV Lens Model 3Z4S-LE SV-0614V</p>
<p>A (ML-0614)</p>	<p>A (SV-0614V)</p>

<p>Product discontinuation CCTV Lens Model 3Z4S-LE ML-0813</p>	<p>Recommendable replacement CCTV Lens Model 3Z4S-LE SV-0813V</p>
<p>B (ML-0813)</p>	<p>B (SV-0813V)</p>

<p>Product discontinuation CCTV Lens Model 3Z4S-LE ML-1214</p>	<p>Recommendable replacement CCTV Lens Model 3Z4S-LE SV-1214V</p>
<p>C (ML-1214)</p>	<p>C (SV-1214V)</p>

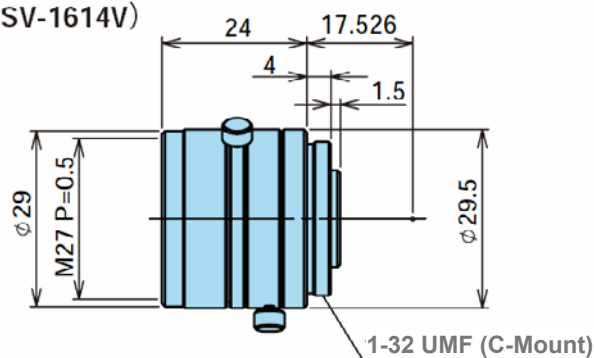
Product discontinuation
CCTV Lens Model 3Z4S-LE ML-1614

D (ML-1614)



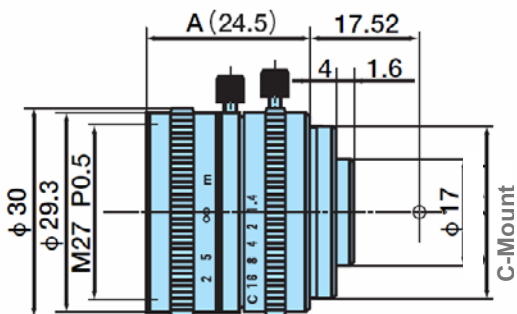
Recommendable replacement
CCTV Lens Model 3Z4S-LE SV-1614V

D (SV-1614V)



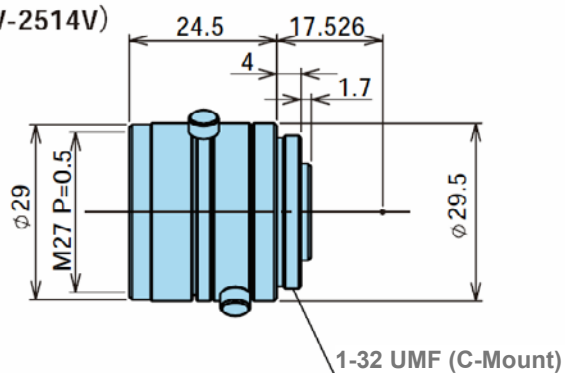
Product discontinuation
CCTV Lens Model 3Z4S-LE ML-2514

E (ML-2514)



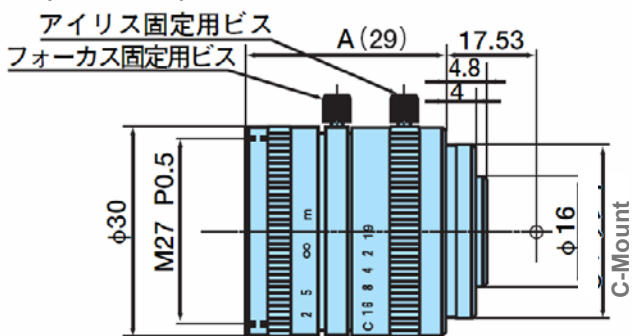
Recommendable replacement
CCTV Lens Model 3Z4S-LE SV-2514V

E (SV-2514V)



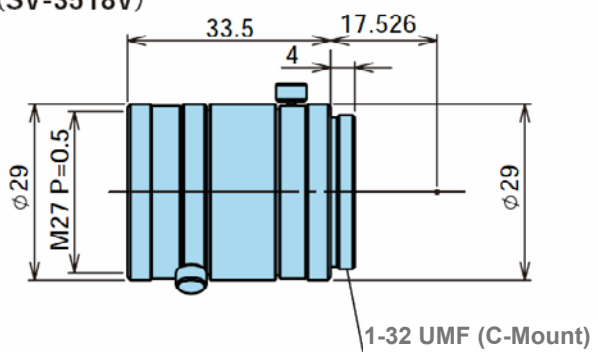
Product discontinuation
CCTV Lens Model 3Z4S-LE ML-3519

F (ML-3519)



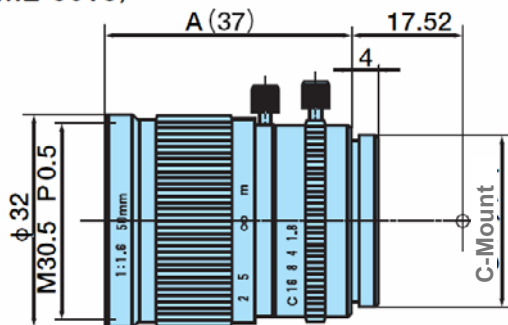
Recommendable replacement
CCTV Lens Model 3Z4S-LE SV-3518V

F (SV-3518V)



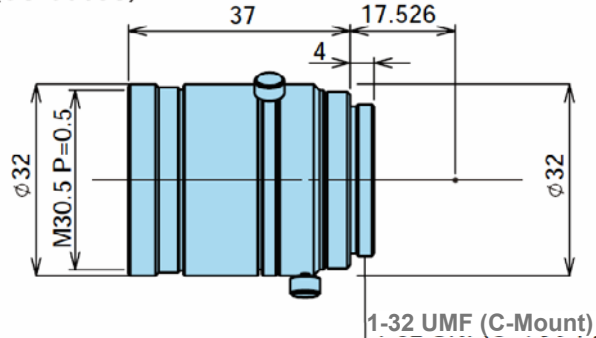
Product discontinuation
CCTV Lens Model 3Z4S-LE ML-5018

G (ML-5018)



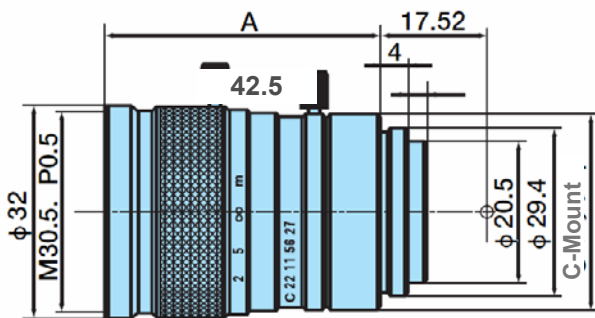
Recommendable replacement
CCTV Lens Model 3Z4S-LE SV-5018V

G (SV-5018V)



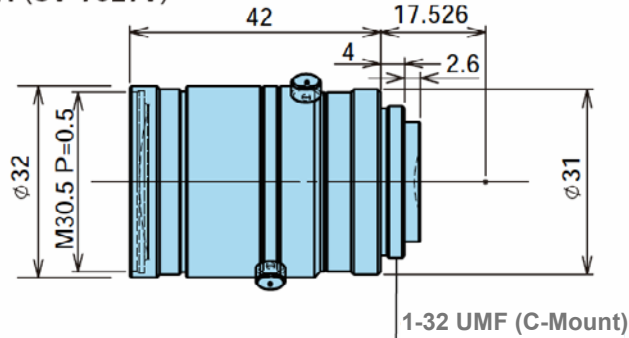
Product discontinuation
CCTV Lens Model 3Z4S-LE ML-7527

H (ML-7527/ML10035)



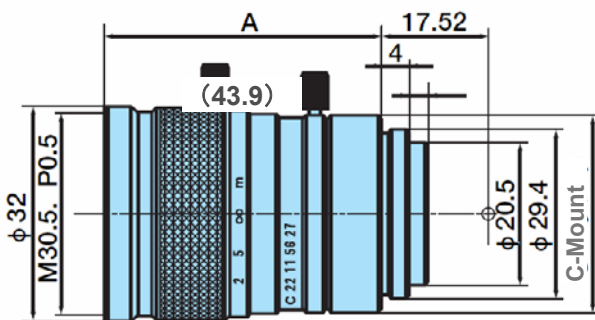
Recommendable replacement
CCTV Lens Model 3Z4S-LE SV-7527V

H (SV-7527V)



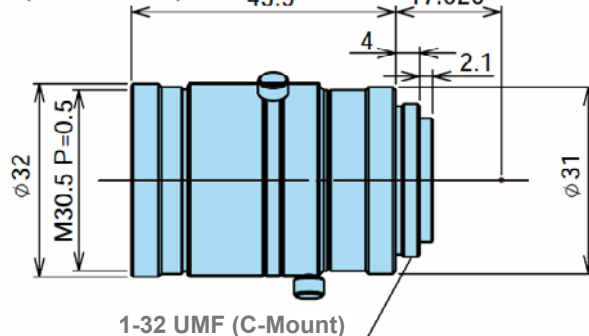
Product discontinuation
CCTV Lens Model 3Z4S-LE ML-10035

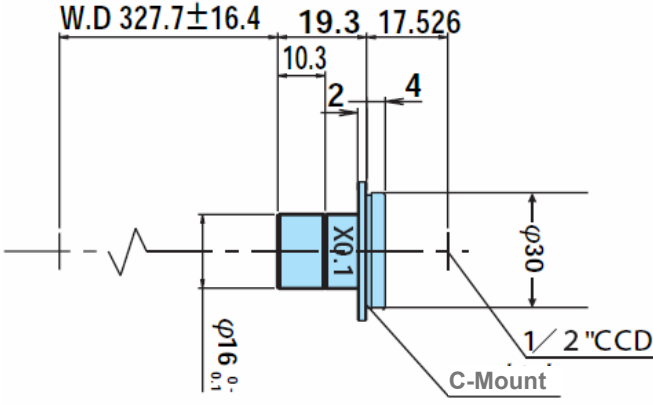
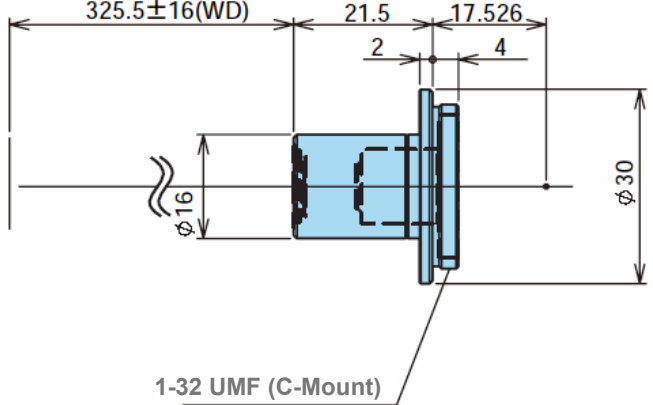
H (ML-7527/ML10035)

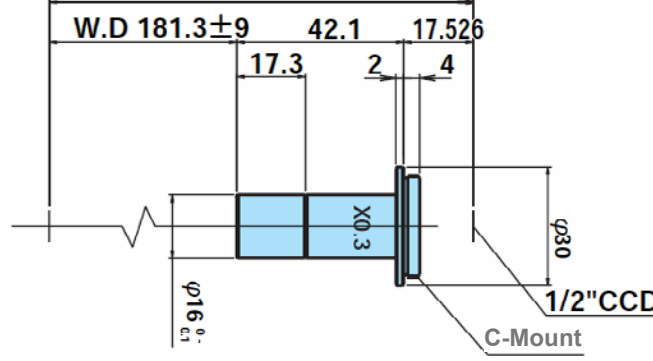
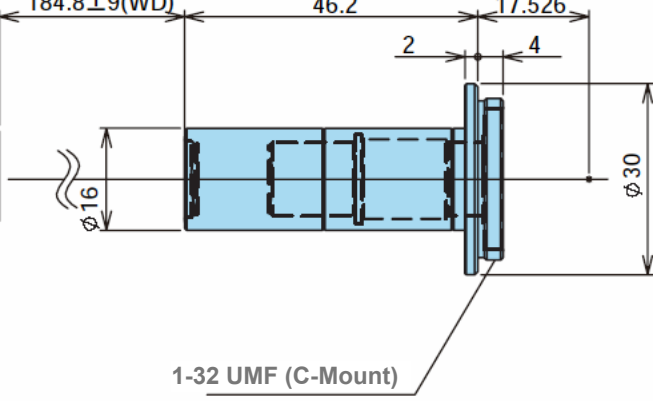


Recommendable replacement
CCTV Lens Model 3Z4S-LE SV-10035V

I (SV-10035V)



<p>Product discontinuation Non-telecentric Macro Lens Model 3Z4S-LE ML01-327N</p>	<p>Recommendable replacement Non-telecentric Macro Lens Model 3Z4S-LE VS-MC01-330</p>
<p>(O/I=364.5)</p>  <p>W.D 327.7±16.4 19.3 17.526</p> <p>10.3 2 4</p> <p>φ16_{0.1}</p> <p>φ30</p> <p>1/2" CCD</p> <p>C-Mount</p>	 <p>325.5±16(WD) 21.5 17.526</p> <p>2 4</p> <p>φ16</p> <p>φ30</p> <p>1-32 UMF (C-Mount)</p>

<p>Product discontinuation Non-telecentric Macro Lens Model 3Z4S-LE ML03-181N</p>	<p>Recommendable replacement Non-telecentric Macro Lens Model 3Z4S-LE VS-MC03-180</p>
<p>(O/I=240.9)</p>  <p>W.D 181.3±9 42.1 17.526</p> <p>17.3 2 4</p> <p>φ16_{0.1}</p> <p>φ30</p> <p>1/2" CCD</p> <p>C-Mount</p>	 <p>184.8±9(WD) 46.2 17.526</p> <p>2 4</p> <p>φ16</p> <p>φ30</p> <p>1-32 UMF (C-Mount)</p>

<p>Product discontinuation Non-telecentric Macro Lens Model 3Z4S-LE ML05-132N</p>	<p>Recommendable replacement Non-telecentric Macro Lens Model 3Z4S-LE VS-MC05-130</p>
<p>(O/I=199)</p> <p>W.D 132.5±6.6 49 17.526 24.2 2 4 $1.5 \begin{smallmatrix} 91 \\ \phi \end{smallmatrix}$ 5.0X $\phi 30$ 1/2" CCD C-Mount</p>	<p>126.3 ±4(WD) 55 17.526 2 4 $\phi 16$ $\phi 30$ 1-32 UMF (C-Mount)</p>

<p>Product discontinuation Non-telecentric Macro Lens Model 3Z4S-LE ML1-89N</p>	<p>Recommendable replacement Non-telecentric Macro Lens Model 3Z4S-LE VS-MC1-80</p>
<p>(O/I=177.5)</p> <p>W.D 89.6±4.5 70.4 17.526 24.2 2 4 $1.5 \begin{smallmatrix} 91 \\ \phi \end{smallmatrix}$ 0.1X $\phi 30$ 1/2" CCD C-Mount</p>	<p>82.4 ±2.5(WD) 76.9 17.526 2 4 $\phi 16$ $\phi 30$ 1-32 UMF (C-Mount)</p>

[Characteristics]

Item	Product discontinuation CCTV Lens Model 3Z4S-LE ML-0614	Recommendable replacement CCTV Lens Model 3Z4S-LE SV-0614V
Focal distance (mm)	6	6.2
Focus (F No.)	F1.4	F1.4
Field of view (V × H)	42.3 × 54.6	42.3 × 54.6
Closest distance (mm)	200	200
Filter screw	M27, P0.5	M27, P0.5
Weight (g)	60	49
Total length (mm)	30	30
Maximum compatible CCD	1/2 inch	1/2 inch
Camera mount	C-Mount	C-Mount
Lock mechanism	Focus and Iris With adjustable Lock Screw	Focus and Iris With adjustable Lock Screw

Item	Product discontinuation CCTV Lens Model 3Z4S-LE ML-0813	Recommendable replacement CCTV Lens Model 3Z4S-LE SV-0813V
Focal distance (mm)	8	8.05
Focus (F No.)	F1.3	F1.3
Field of view (V × H)	45.0 × 57.8	44.6 × 57.3
Closest distance (mm)	200	200
Filter screw	M25.5, P0.5	M25.5, P0.5
Weight (g)	60	55
Total length (mm)	34.5	34
Maximum compatible CCD	2/3 inch	2/3 inch
Camera mount	C-Mount	C-Mount
Lock mechanism	Focus and Iris With adjustable Lock Screw	Focus and Iris With adjustable Lock Screw

Item	Product discontinuation CCTV Lens Model 3Z4S-LE ML-1214	Recommendable replacement CCTV Lens Model 3Z4S-LE SV-1214V
Focal distance (mm)	12	12.4
Focus (F No.)	F1.4	F1.4
Field of view (V × H)	21.9 × 29.0	21.9 × 28.9
Closest distance (mm)	300	300
Filter screw	M27, P0.5	M27, P0.5
Weight (g)	60	44
Total length (mm)	34.5	29.5
Maximum compatible CCD	1/2 inch	1/2 inch
Camera mount	C-Mount	C-Mount
Lock mechanism	Focus and Iris With adjustable Lock Screw	Focus and Iris With adjustable Lock Screw

Item	Product discontinuation CCTV Lens Model 3Z4S-LE ML-1614	Recommendable replacement CCTV Lens Model 3Z4S-LE SV-1614V
Focal distance (mm)	16	16.3
Focus (F No.)	F1.4	F1.4
Field of view (V × H)	23.0 × 30.4	22.8 × 30.1
Closest distance (mm)	400	400
Filter screw	M27, P0.5	M27, P0.5
Weight (g)	40	34
Total length (mm)	24.5	24
Maximum compatible CCD	2/3 inch	2/3 inch
Camera mount	C-Mount	C-Mount
Lock mechanism	Focus and Iris With adjustable Lock Screw	Focus and Iris With adjustable Lock Screw

Item	Product discontinuation CCTV Lens Model 3Z4S-LE ML-2514	Recommendable replacement CCTV Lens Model 3Z4S-LE SV-2514V
Focal distance (mm)	25	25.2
Focus (F No.)	F1.4	F1.4
Field of view (V × H)	21.6 × 28.5	14.9 × 19.8
Closest distance (mm)	500	500
Filter screw	M27, P0.5	M27, P0.5
Weight (g)	45	36
Total length (mm)	24.5	24.5
Maximum compatible CCD	1 inch	1 inch
Camera mount	C-Mount	C-Mount
Lock mechanism	Focus and Iris With adjustable Lock Screw	Focus and Iris With adjustable Lock Screw

Item	Product discontinuation CCTV Lens Model 3Z4S-LE ML-3519	Recommendable replacement CCTV Lens Model 3Z4S-LE SV-3518V
Focal distance (mm)	35	34.7
Focus (F No.)	F1.9	F1.8
Field of view (V × H)	10.8 × 14.4	10.8 × 14.4
Closest distance (mm)	500	300
Filter screw	M27, P0.5	M27, P0.5
Weight (g)	50	47
Total length (mm)	29	33.5
Maximum compatible CCD	2/3 inch	2/3 inch
Camera mount	C-Mount	C-Mount
Lock mechanism	Focus and Iris With adjustable Lock Screw	Focus and Iris With adjustable Lock Screw

Item	Product discontinuation CCTV Lens Model 3Z4S-LE ML-5018	Recommendable replacement CCTV Lens Model 3Z4S-LE SV-5018V
Focal distance (mm)	50	48
Focus (F No.)	F1.8	F1.8
Field of view (V × H)	7.9 × 10.5	7.9 × 10.5
Closest distance (mm)	1000	1000
Filter screw	M30.5, P0.5	M30.5, P0.5
Weight (g)	60	67
Total length (mm)	37	37
Maximum compatible CCD	2/3 inch	2/3 inch
Camera mount	C-Mount	C-Mount
Lock mechanism	Focus and Iris With adjustable Lock Screw	Focus and Iris With adjustable Lock Screw

Item	Product discontinuation CCTV Lens Model 3Z4S-LE ML-7527	Recommendable replacement CCTV Lens Model 3Z4S-LE SV-7527V
Focal distance (mm)	75	76.71
Focus (F No.)	F2.7	F2.7
Field of view (V × H)	4.9 × 6.5	4.9 × 6.6
Closest distance (mm)	1000	1000
Filter screw	M30.5, P0.5	M30.5, P0.5
Weight (g)	65	76
Total length (mm)	42.5	42
Maximum compatible CCD	2/3 inch	1/2 inch
Camera mount	C-Mount	C-Mount
Lock mechanism	Focus and Iris With adjustable Lock Screw	Focus and Iris With adjustable Lock Screw

Item	Product discontinuation CCTV Lens Model 3Z4S-LE ML-10035	Recommendable replacement CCTV Lens Model 3Z4S-LE SV-10035V
Focal distance (mm)	100	100
Focus (F No.)	F3.5	F3.5
Field of view (V × H)	3.8 × 5.1	4.0 × 5.3
Closest distance (mm)	1000	1000
Filter screw	M30.5, P0.5	M30.5, P0.5
Weight (g)	65	79
Total length (mm)	43.9	43.9
Maximum compatible CCD	1/2 inch	1/2 inch
Camera mount	C-Mount	C-Mount
Lock mechanism	Focus and Iris With adjustable Lock Screw	Focus and Iris With adjustable Lock Screw

Item	Product discontinuation Non-telecentric Macro Lens Model 3Z4S-LE ML01-327N	Recommendable replacement Non-telecentric Macro Lens Model 3Z4S-LE VS-MC01-330
Magnification	0.1	0.1
Effective F No.	F4.71	F4.43
O/I (mm)	364.5	364.5
WD (mm)	327.7	325.5
Depth of field (mm)	37.66	35.4
Resolution (μm)	33.9	30.5
TV distortion	0.4% max.	0.01%
Dimensions	16 dia. × 19.3	16 dia. × 21.5
Camera mount	C-Mount	C-Mount

Item	Product discontinuation Non-telecentric Macro Lens Model 3Z4S-LE ML03-181N	Recommendable replacement Non-telecentric Macro Lens Model 3Z4S-LE VS-MC03-180
Magnification	0.3	0.3
Effective F No.	F6.11	F5.29
O/I (mm)	240.9	248.5
WD (mm)	181.3	184.8
Depth of field (mm)	5.43	4.7
Resolution (μm)	14.6	11.6
TV distortion	0.2% max.	0.00%
Dimensions	16 dia. × 42.1	16 dia. × 46.2
Camera mount	C-Mount	C-Mount

Item	Product discontinuation Non-telecentric Macro Lens Model 3Z4S-LE ML05-132N	Recommendable replacement Non-telecentric Macro Lens Model 3Z4S-LE VS-MC05-130
Magnification	0.5	0.5
Effective F No.	F6.08	F6.1
O/I (mm)	199	198.8
WD (mm)	132.5	126.3
Depth of field (mm)	1.95	2
Resolution (μm)	11.7	8.2
TV distortion	0.08% max.	0.00%
Dimensions	16 dia. × 49	16 dia. × 54.9
Camera mount	C-Mount	C-Mount

Item	Product discontinuation Non-telecentric Macro Lens Model 3Z4S-LE ML1-89N	Recommendable replacement Non-telecentric Macro Lens Model 3Z4S-LE VS-MC1-80
Magnification	1	1
Effective F No.	F8.82	F8.14
O/I (mm)	177.5	176.8
WD (mm)	89.6	82.4
Depth of field (mm)	0.7	0.7
Resolution (μm)	7.9	5.5
TV distortion	0.04% max.	0.00%
Dimensions	16 dia. × 70.4	16 dia. × 76.9
Camera mount	C-Mount	C-Mount

Item	Product discontinuation Polarizing Filter Model 3Z4S-LE ML-PL255	Recommendable replacement Polarizing Filter Model 3Z4S-LE SV-PL255
Screw Pitch	M25.5 X P0.5	M25.5 X P0.5

Item	Product discontinuation Polarizing Filter Model 3Z4S-LE ML-PL270	Recommendable replacement Polarizing Filter Model 3Z4S-LE SV-PL270
Screw Pitch	M27.0 X P0.5	M27.0 X P0.5

Item	Product discontinuation Polarizing Filter Model 3Z4S-LE ML-PL305	Recommendable replacement Polarizing Filter Model 3Z4S-LE SV-PL305
Screw Pitch	M30.5 X P0.5	M30.5 X P0.5

Item	Product discontinuation Rear Converter Lens Model 3Z4S-LE ML-1.5X	Recommendable replacement Rear Converter Lens Model 3Z4S-LE SV-1.5X
Camera mount	C-Mount	C-Mount
Dimension	30 dia. X L11.7	30 dia. X L11.7

Item	Product discontinuation Rear Converter Lens Model 3Z4S-LE ML-2X	Recommendable replacement Rear Converter Lens Model 3Z4S-LE SV-2X
Camera mount	C-Mount	C-Mount
Dimension	30 dia. X L13.3	30 dia, X L13.3

Item	Product discontinuation Rear Converter Lens Model 3Z4S-LE ML-2.5X	Recommendable replacement Rear Converter Lens Model ML-2.5X (Moritex)
Camera mount	C-Mount	C-Mount
Dimension	30 dia. X L15.6	30 dia. X L15.6

Item	Product discontinuation Close-up Ring Model 3Z4S-LE ML-EXR05	Recommendable replacement Close-up Ring Model 3Z4S-LE SV-EXR05
Camera mount	-	-
Thickness	0.5mm	0.5mm

Item	Product discontinuation Close-up Ring Model 3Z4S-LE ML-EXR1	Recommendable replacement Close-up Ring Model 3Z4S-LE SV-EXR1
Camera mount	-	-
Thickness	1mm	1mm

Item	Product discontinuation Close-up Ring Model 3Z4S-LE ML-EXR2	Recommendable replacement Close-up Ring Model 3Z4S-LE SV-EXR2
Camera mount	C-Mount	C-Mount
Thickness	2mm	2mm

Item	Product discontinuation Close-up Ring Model 3Z4S-LE ML-EXR5	Recommendable replacement Close-up Ring Model 3Z4S-LE SV-EXR5
Camera mount	C-Mount	C-Mount
Thickness	5mm	5mm

Item	Product discontinuation Close-up Ring Model 3Z4S-LE ML-EXR10	Recommendable replacement Close-up Ring Model 3Z4S-LE SV-EXR10
Camera mount	C-Mount	C-Mount
Thickness	10mm	10mm

Item	Product discontinuation Close-up Ring Model 3Z4S-LE ML-EXR15	Recommendable replacement Close-up Ring Model 3Z4S-LE SV-EXR15
Camera mount	C-Mount	C-Mount
Thickness	15mm	15mm

Item	Product discontinuation Close-up Ring Model 3Z4S-LE ML-EXR20	Recommendable replacement Close-up Ring Model 3Z4S-LE SV-EXR20
Camera mount	C-Mount	C-Mount
Thickness	20mm	20mm

Item	Product discontinuation Close-up Ring Model 3Z4S-LE ML-EXR25	Recommendable replacement Close-up Ring Model 3Z4S-LE SV-EXR25
Camera mount	C-Mount	C-Mount
Thickness	25mm	25mm

Item	Product discontinuation Close-up Ring Model 3Z4S-LE ML-EXR30	Recommendable replacement Close-up Ring Model 3Z4S-LE SV-EXR30
Camera mount	C-Mount	C-Mount
Thickness	30mm	30mm

Item	Product discontinuation Close-up Ring Model 3Z4S-LE ML-EXR40	Recommendable replacement Close-up Ring Model 3Z4S-LE SV-EXR40
Camera mount	C-Mount	C-Mount
Thickness	40mm	40mm

Item	Product discontinuation Close-up Ring Model 3Z4S-LE ML-EXR50	Recommendable replacement Close-up Ring Model 3Z4S-LE SV-EXR50
Camera mount	C-Mount	C-Mount
Thickness	50mm	50mm

Item	Product discontinuation Close-up Ring Model 3Z4S-LE ML-EXR100	Recommendable replacement Close-up Ring Model ML-EXR100 (Moritex)
Camera mount	C-Mount	C-Mount
Thickness	100mm	100mm

Item	Product discontinuation Close-up Ring set Model 3Z4S-LE ML-EXR	Recommendable replacement Close-up Ring set Model 3Z4S-LE SV-EXR
7-piece set	40mm, 20mm, 10mm, 5mm, 2.0mm, 1.0mm, 0.5mm	40mm, 20mm, 10mm, 5mm, 2.0mm, 1.0mm, 0.5mm

As of October, 2012

In the interest of product improvement, specifications are subject to change without notice.