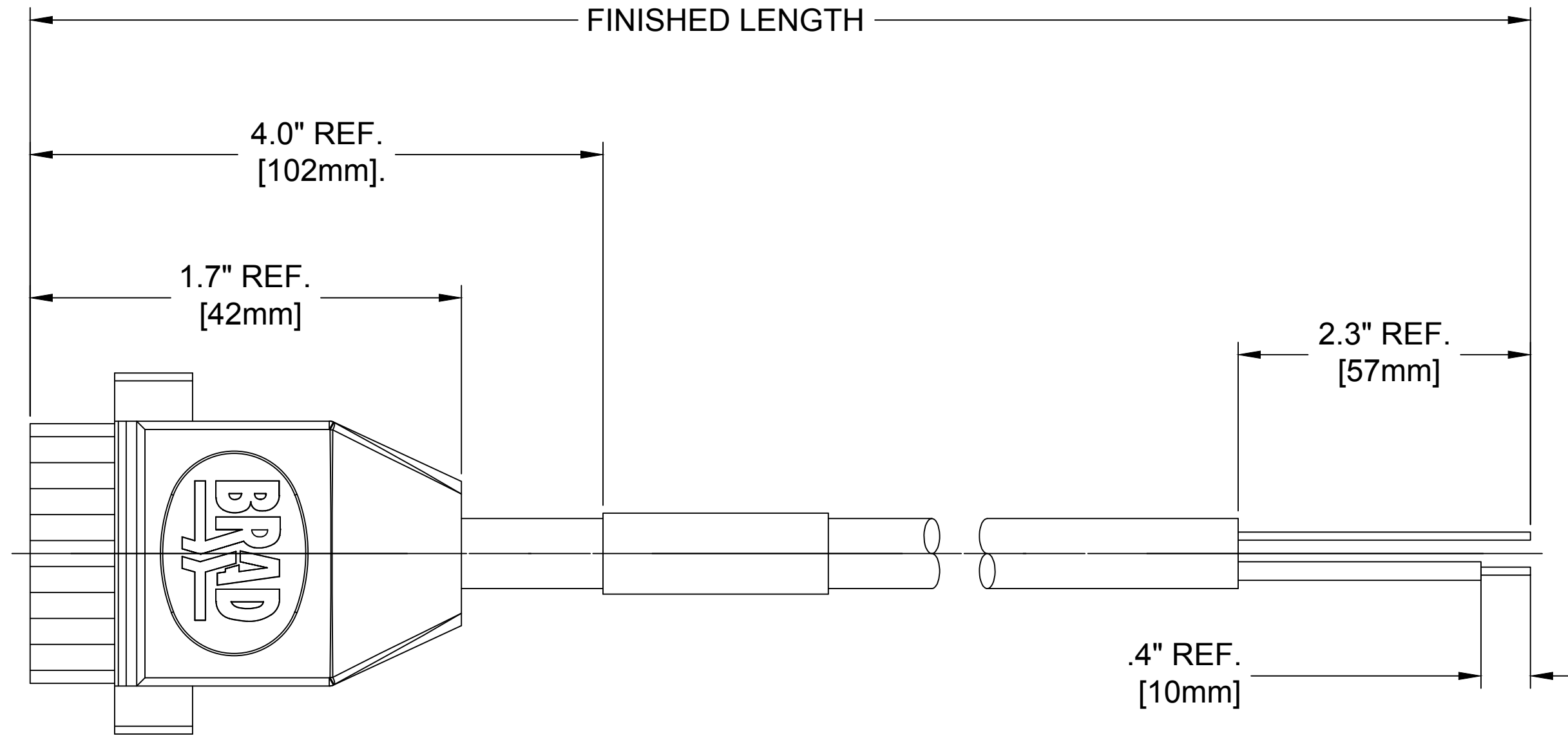
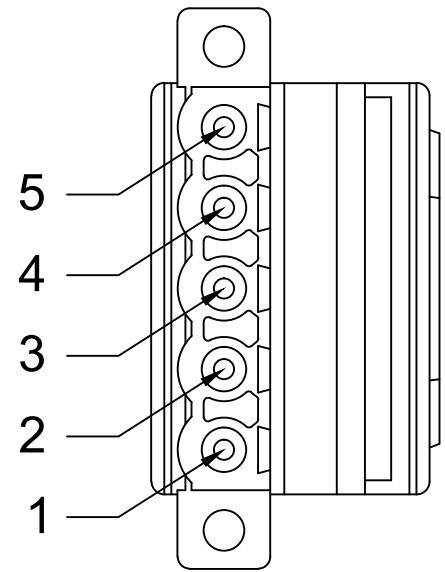


13	12	11	10	9	8	7	6	5	4	3	2	1
MATERIAL NUMBER		ENGINEERING NUMBER		FINISHED LENGTH								
1300390545		DNDF40-M010		1M +55.6mm -0 [3.3FT +2.2IN -0]								

FEMALE FACE VIEW



DNDF40-M010

Cable type  
DEVICENET  
(FLEX DROP)

cable length  
M010----1 Meter  
M100----10 Meter

FEMALE

WIRING DIAGRAM

1	DRAIN
2	RED
3	BLACK
4	WHITE
5	BLUE

SPECIFICATION DATA

ELECTRICAL DATA:  
MAX. VOLTAGE: 300 VAC  
MAX. CURRENT: 4 AMPS  
ENVIRONMENTAL:  
PROTECTION IP20  
TEMPERATURE RANGE: -20°C TO 80°C  
CERTIFICATIONS:  
cCSAus FILE: LR6837  
ASSEMBLY IS RoHS COMPLIANT.

LABEL	PLASTIC FILM	YELLOW
OVERMOLD	TPE	GRAY
D-NET OPEN CONNECTOR	POLYAMIDE	GRAY
SOCKET CONTACT	COPPER ALLOY	GOLD PLATING
CABLE #22/2 & #24/2 + DRAIN	TPE JACKET	GRAY
DESCRIPTION	MATERIAL	FINISH

RELEASE EC NO: IFCG2014-0701 DRWN: GGUSTAFS 2013/10/17 CH'KD: BARDEN APPR: BWOODMAN 2013/10/21 DESCRIPTION REV	QUALITY SYMBOL	GENERAL TOLERANCES (UNLESS SPECIFIED)		DIMENSION STYLE IN/MM		SCALE NTS	DESIGN UNITS INCH	THIRD ANGLE PROJECTION		
	▽=0	4 PLACES	mm ±---	INCH ±---	DRAWN BY GGUSTAFS	DATE 2013/10/17	TITLE			
	∇=0	3 PLACES	±---	±.005	CHECKED BY BARDEN	DATE 2013/11/11	DEVICE-NET OPEN W/SCREWS 5P FEMALE OPEN DEVICENET FLEX DROP			
		2 PLACES	±0.13	±.010	APPROVED BY BWOODMAN	DATE 2013/10/21	MOLEX INCORPORATED			
		1 PLACE	±0.25	±.020	ANGULAR ±.5°		MATERIAL NO. SEE CHART		SHEET NO. 1 OF 1	
DRAFT WHERE APPLICABLE MUST REMAIN WITHIN DIMENSIONS				THIS DRAWING CONTAINS INFORMATION THAT IS PROPRIETARY TO MOLEX INCORPORATED AND SHOULD NOT BE USED WITHOUT WRITTEN PERMISSION		DOCUMENT NO. SD-130039-056				