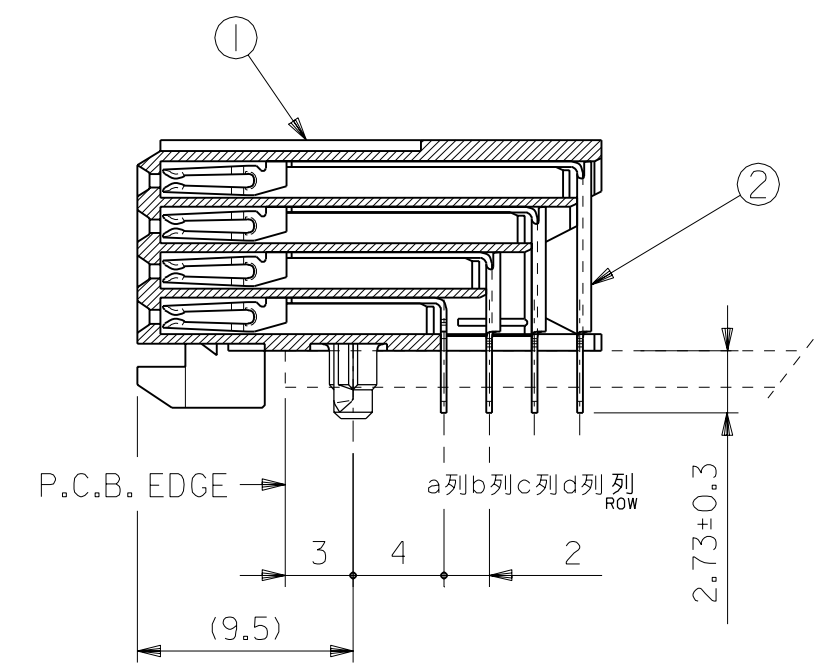
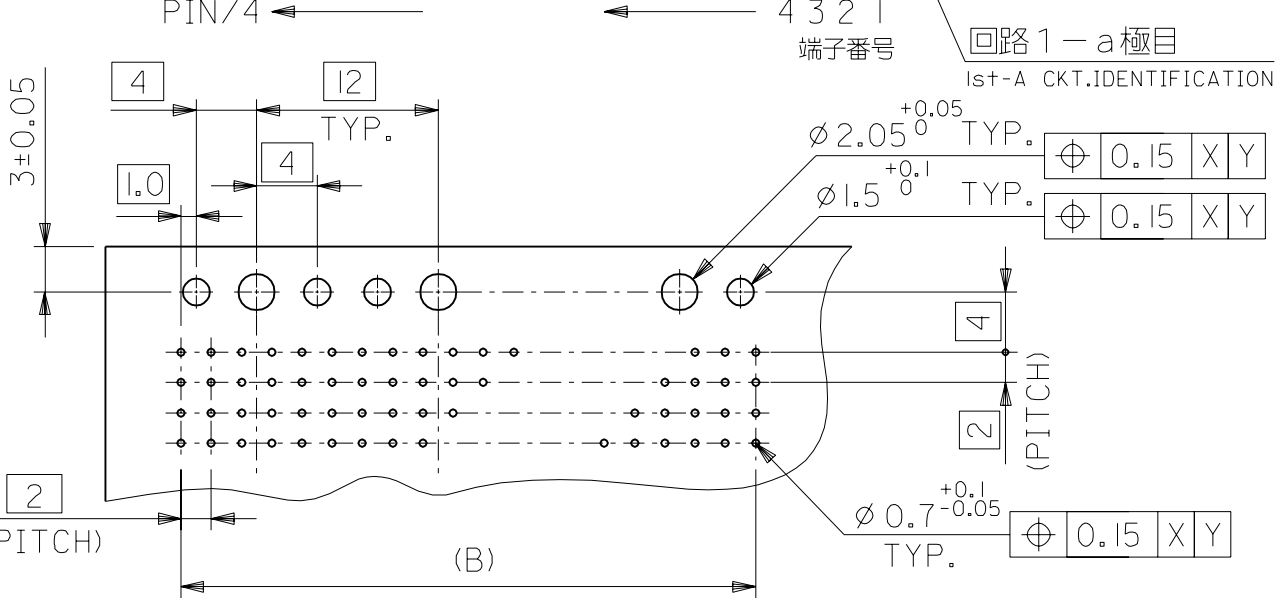
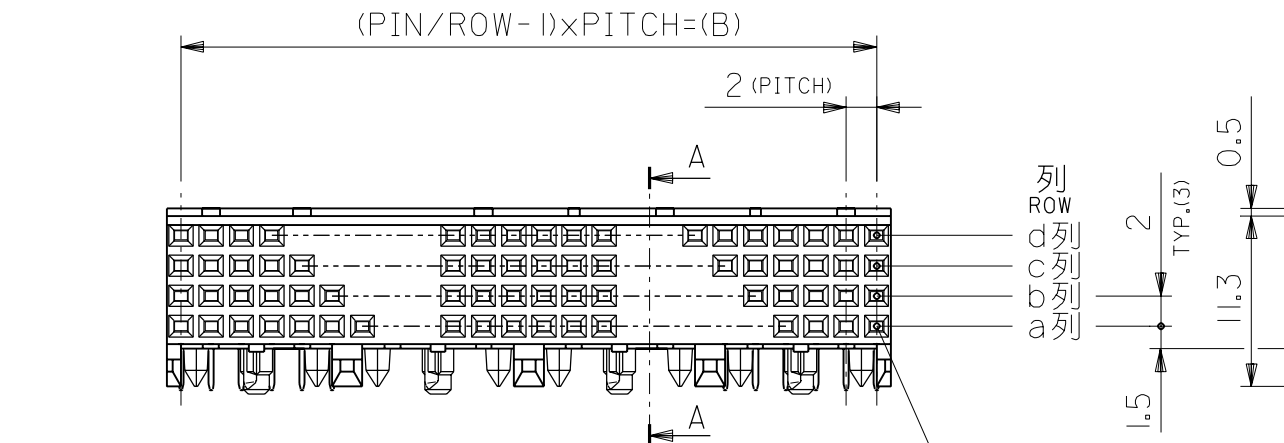
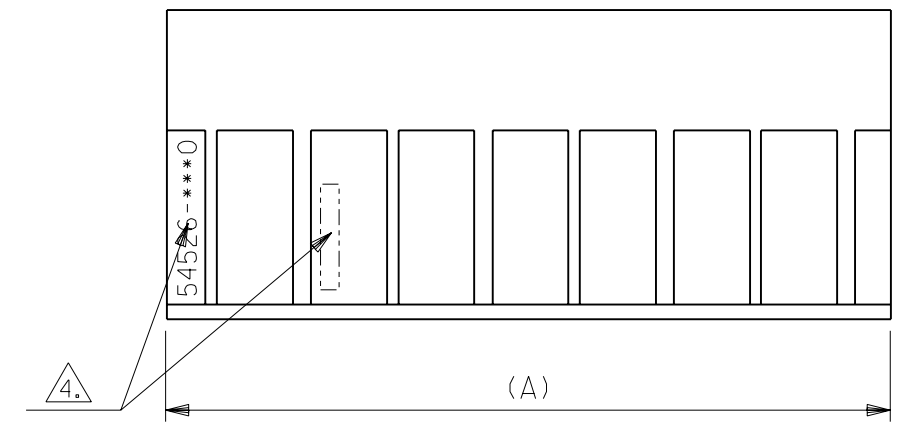


DWG. NO.  
SD-54526-003

番号 No.	部品 PART NAME	材質 MATERIAL	仕上げ FINISH
①	リセプタクル ハウジング RECEPTACLE HOUSING	液晶ポリマー、ガラス充填、自然色(白)、UL94V-0 LCP, GLASS FILLED, NATURAL(WHITE), UL94V-0	—#—
②	リセプタクル ターミナル RECEPTACLE TERMINAL	リン青銅 PHOSPHOR BRONZE	△1.



- 注記  
NOTE :
- △1. ターミナル めっき仕様  
TERMINAL PLATING  
 金めっき: 0.38 μm MIN. (接点部)  
 GOLD: 0.38 μm MIN. (CONTACT AREA)  
 半田めっき: 1.0 μm MIN. (半田付け部)  
 TIN-LEAD: 1.0 μm MIN. (SOLDER AREA)  
 ニッケルメッキ: 2.0 μm MIN. (下地めっき)  
 NICKEL: 1.0 μm MIN. (UNDER PLATING)
  - 2. 推奨基板厚: t=1.6  
RECOMMENDED P.C.B. THICKNESS: t=1.6
  - 3. 適合プラグ: 53901-\*\*\*4, 55222-\*\*\*4, 55089-\*\*\*4  
APPLICABLE PLUG: 53901-\*\*\*4, 55222-\*\*\*4, 55089-\*\*\*4
  - △4. 製品番号及びロットナンバー  
MATERIAL NO. & LOT NO.

94	95.98	54526-1920	192
58	59.98	54526-1200	120
46	47.98	54526-0960	96
22	23.98	54526-0480	48
10	11.98	54526-0240	24
B	A	MATERIAL NO.	PIN

DO NOT SCALE DRAWING

REV	DESCRIPTION	WIRE RANGE 適用電線範囲	INS. RANGE 被覆外径
0	RELEASED JD00190 DRWN: S.HOSHIKAWA '99/08/23 CH'K: A.NODA APPR: H.IKESUGI	—#—	—#—

GENERAL TOLERANCES: (UNLESS SPECIFIED) 一般公差	SCALE	DESIGN UNITS	PROJECTION
10 UNDER 未満 ±0.2	2-1	mm	2D PROJECTION
10 OVER 以上 30 UNDER 未満 ±0.25		INCH	3D PROJECTION
30 OVER 以上 ±0.3		mm ONLY	
ANGLE 角度 ±3°			

DRAWN BY & DATE		TITLE	
S. Hoshikawa		"MFB" B/B CONN. (FB+) REC. ASS'Y 4ROWS DIP	
CHECKED BY & DATE		MATERIAL NO.	
A. Noda		SEE TABLE	
APPROVED BY & DATE		DRAWING NO.	
S. Hoshikawa		SD-54526-003	
CAD FILENAME		SHEET NO.	
54526003.S01		1 OF 1	
THIS DRAWING CONTAINS INFORMATION THAT IS PROPRIETARY TO MOLEX INCORPORATED AND SHOULD NOT BE USED WITHOUT WRITTEN PERMISSION.			SIZE B

基板穴推奨寸法 (部品実装)  
RECOMMENDED P.C.B. LAYOUT (COMPONENT SIDE)

回路1-a極目  
Is1-A CKT.IDENTIFICATION

A-A  
(NON-SCALE)

54526003.S01