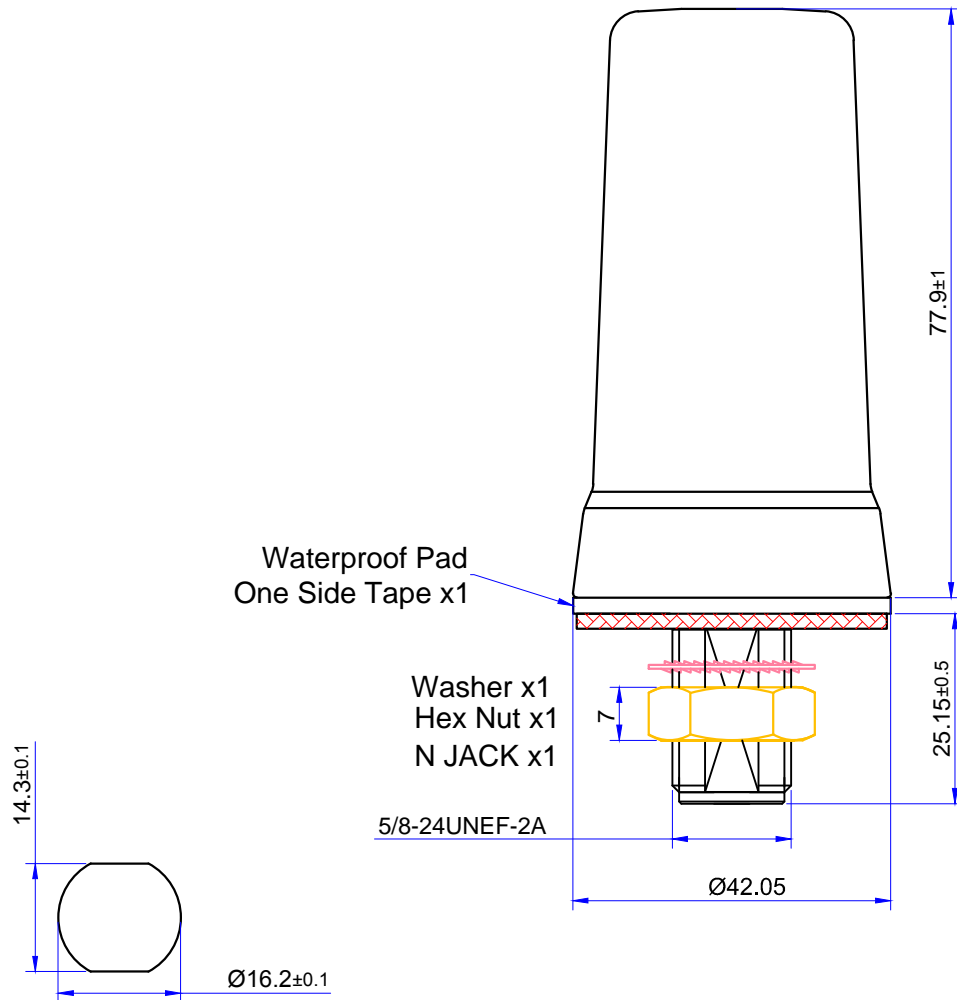


REVISIONS		
REV	ECN	DATE
--	---	----

NOTES

1. THIS IS A RoHS COMPLIANT PRODUCT



RECOMMENDED
MOUNTING HOLE

Electrical Properties	
Frequency Range	2.4~2.5GHz 4.9~5.35GHz 5.725~5.85GHz
Impedance	50Ω
V.S.W.R.	≤2.5 @ 2.4~2.5GHz ≤3.5 @ 4.9~5.35GHz ≤3.5 @ 5.725~5.85GHz
Radiation	Omni
Gain	4dBi @ 2.4~2.5GHz 3dBi @ 4.9~5.35GHz 4dBi @ 5.725~5.85GHz
Polarization	Vertical
Wave Length , type	Microstrip
Beam Width(±3dB)	2.4~2.5GHz 25°±5° @E-Plane 360° @H-Plane 4.9~5.35GHz 20°±5° @E-Plane 360° @H-Plane 5.725~5.85GHz 20°±5° @E-Plane 360° @H-Plane
Test Ground Size	φ350mm
Mechanical Properties	
Radome Material	PC
Connector Type	N Jack
Dimension	L=77.9mm
Weight	161 g (est)
Operating Temp.	- 40°C ~ + 85°C
Storage Temp.	- 40°C ~ + 85°C

TITLE	2.4+5.X MHz M2M Outdoor Antenna, N Jack Connector	Rev. Date	SHEET
		01/09/19	1 OF 1
UNIT	DWG. NO.	T771N-2.4/4.9/5.X	
mm			
SCALE	NEARSON		
none			