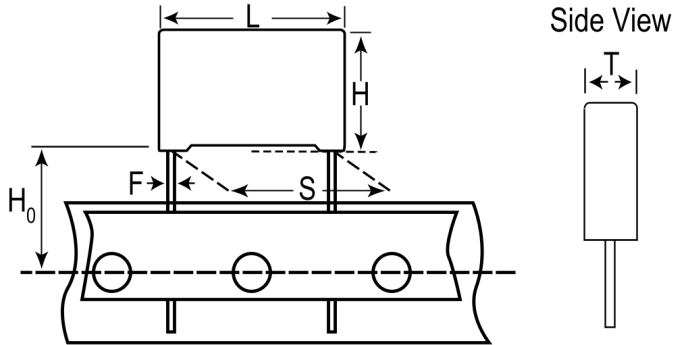


R76II3330DQH7H

Aliases (76II3330DQH7H)

R76H, Film, Double Metallized Polypropylene, Automotive Grade, 0.33 uF, 2.5%, 250 VDC, 105°C, Lead Spacing = 15mm



Click [here](#) for the 3D model.

Dimensions

L	18mm +/-0.5mm
H	12mm +0.1/-0.5mm
T	13mm +0.2/-0.5mm
S	15mm +/-0.4mm
H0	18.5mm +/-0.5mm
F	0.8mm +/-0.05mm

Packaging Specifications

Packaging	Ammo, 360x340x59mm, Box
Packaging Quantity	280

General Information

Series	R76H
Dielectric	Double Metallized Polypropylene
Style	Radial
Features	Automotive Grade, Pulse
RoHS	Yes
Lead	Wire Leads
Qualifications	AEC-Q200
AEC-Q200	Yes
THB Performance	Yes
Component Weight	3.8 g

Specifications

Capacitance	0.33 uF
Capacitance Tolerance	2.5%
Voltage AC	180 VAC
Voltage DC	250 VDC
Temperature Range	-55/+125°C
Rated Temperature	105°C
Dissipation Factor	0.03% 1kHz, 0.06% 10kHz
Insulation Resistance	100 GOhms
Max dV/dt	550 V/us
Resistance	4.82 mOhms (100kHz)
Ripple Current	8.43 Amps (100kHz 100C), 182 Amps (Peak)
Inductance	10 nH