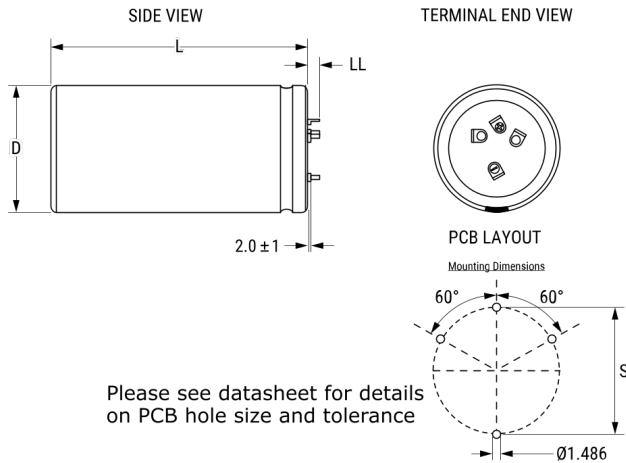


## ALF70C751EF450

Aliases (A556HH751M450C)

ALF70, Aluminum Electrolytic, 750 uF, 20%, 450 VDC, -40/+85°C



Click [here](#) for the 3D model.

### Dimensions

D	40mm +1mm
L	50mm +/-2mm
S	22.5mm +/-0.1mm
LL	5.5mm +/-1mm
F	1.486mm +/-0.076mm

### Packaging Specifications

Sleaving	Yes
Packaging	Bulk

### General Information

Series	ALF70
Dielectric	Aluminum Electrolytic
Style	Press-Fit
Description	Press-Fit, Aluminum Electrolytic
RoHS	Yes
Lead	4 Pin Press-Fit
AEC-Q200	No
Halogen Free	Yes
Component Weight	105 g
Notes	Dimensions D And L Include Sleaving.
Shelf Life	156 Weeks

### Specifications

Capacitance	750 uF
Capacitance Tolerance	20%
Voltage DC	450 VDC, 495 VDC (Surge)
Temperature Range	-40/+85°C
Rated Temperature	85°C
Life	18000 Hrs (Rated Voltage and Ripple Current at 85C), 29000 Hrs (Rated Voltage at 85C)
Resistance	195.4 mOhms (100Hz 20C), 111.9 mOhms (10kHz 20C)
Ripple Current	3.423 Amps (100Hz 85C), 7.333 Amps (10kHz 85C)
Leakage Current	2025 uA (5min 20°C)