

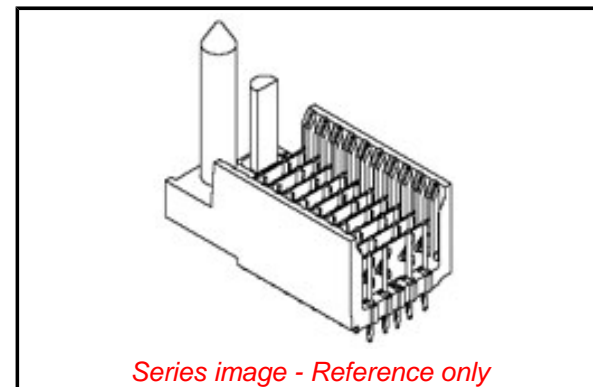
PLEASE CHECK WWW.MOLEX.COM FOR LATEST PART INFORMATION

Part Number: [0746969002](#)

Status: **Active**

Overview: VHDM-HSD™ Backplane Connectors

Description: VHDM-HSD™ Backplane Header, 2.00mm Pitch, 5-Row, Guide Pin Signal Module, Pin End Version, 40 Circuits, Pin Length 6.25mm, Series:74702 Enables designers to create custom loaded connectors utilizing standard pin lengths 4.25, 4.75, 5.15 and 6.25mm



Series image - Reference only

Documents:

[Drawing \(PDF\)](#)

[RoHS Certificate of Compliance \(PDF\)](#)

[Packaging Specification PK-74696-003 \(PDF\)](#)

Agency Certification

CSA LR19980
UL E29179

General

Product Family Backplane Connectors
Series [74696](#)
Application Backplane
Application Tooling Documents TM-622010999
Comments No Keying Orientation
Component Type PCB Header
Overview [VHDM-HSD™ Backplane Connectors](#)
Product Name VHDM-HSD™
UPC 822350233620

Physical

Circuits (Loaded) 40
Circuits (maximum) 40
Color - Resin Black
Durability (mating cycles max) 200
First Mate / Last Break No
Flammability 94V-0
Guide to Mating Part Yes
Keying to Mating Part None
Material - Metal High Performance Alloy (HPA), Stainless Steel
Material - Plating Mating Gold
Material - Plating Termination Matte Tin
Material - Resin High Temperature Thermoplastic
Net Weight 6.167/g
Number of Columns 10
Number of Pairs Open Pin Field
Number of Rows 5
Orientation Vertical
PC Tail Length 2.50mm
PCB Locator No
PCB Retention None
PCB Thickness - Recommended 1.80mm
Packaging Type Tube
Pitch - Mating Interface 2.00mm
Pitch - Termination Interface 2.00mm
Plating min - Mating 0.762µm
Plating min - Termination 0.762µm
Polarized to PCB Yes
Surface Mount Compatible (SMC) Yes
Temperature Range - Operating -55°C to +105°C

EU ELV

Not Relevant

EU RoHS

Compliant

China RoHS

REACH SVHC

Not Contained Per -
ED/21/2016 (20 June
2016)

Halogen-Free

Status

Low-Halogen

Need more information on product environmental compliance?

Email productcompliance@molex.com
Please visit the [Contact Us](#) section for any non-product compliance questions.

China ROHS

Green Image

ELV

Not Relevant

Search Parts in this Series

[74696 Series](#)

Mates With

[74670 VHDM-HSD™ Daughtercard](#)

Application Tooling | FAQ

Tooling specifications and manuals are found by selecting the products below. Crimp Height Specifications are then contained in the Application Tooling Specification document.

Global

Description	Product #
Signal Header, 5-Row by 10-Wide, 20.00mm	0622020201
Signal Pin Inserter Repair Tool	0622015700

Termination Interface: Style Through Hole - Compliant Pin

Electrical

Current - Maximum per Contact 1.0A
Data Rate 5.0 Gbps
Shield Type Ground Plane Shield
Shielded Yes
Voltage - Maximum 120V AC (RMS)/DC

Solder Process Data

Lead-free Process Capability N/A

Material Info

Reference - Drawing Numbers

Packaging Specification PK-74696-003
Sales Drawing SD-74696-002

Note: HDM, HDM+, VHDM, VHDM-HSD and GbX are trademarks or registered trademarks of Amphenol TCS.

This document was generated on 07/11/2016

PLEASE CHECK WWW.MOLEX.COM FOR LATEST PART INFORMATION