

REVISIONS					
P	LTR	DESCRIPTION	DATE	DWN	APVD
U3		REVISED PER ECO-11-004587	11MAR11	RK	HMR
V		REVISED PER ECO-18-000976	28MAY2018	RS	JO
W		REVISED PER ECR-22-137476	23AUG2022	RK	SD

NOTES	MARKING	L	B	A	NO OF POSN	PART NUMBER
-	ALL	60.96	27.94	30.48	24	4-87499-5
-	-	58.42	27.94	27.94	23	4-87499-4
-	ALL	58.42	27.94	27.94	23	4-87499-3
-	-	55.88	25.40	27.94	22	4-87499-2
-	ALL	55.88	25.40	27.94	22	4-87499-1
-	-	53.34	25.40	25.40	21	4-87499-0
-	ALL	53.34	25.40	25.40	21	3-87499-9
-	-	50.80	22.86	25.40	20	3-87499-8
-	ALL	50.80	22.86	25.40	20	3-87499-7
-	-	48.26	22.86	22.86	19	3-87499-6
-	ALL	48.26	22.86	22.86	19	3-87499-5
-	-	45.72	20.32	22.86	18	3-87499-4
-	ALL	45.72	20.32	22.86	18	3-87499-3
-	-	43.18	20.32	20.32	17	3-87499-2
-	ALL	43.18	20.32	20.32	17	3-87499-1
-	-	40.64	17.78	20.32	16	3-87499-0
-	ALL	40.64	17.78	20.32	16	2-87499-9
-	-	38.10	17.78	17.78	15	2-87499-8
-	ALL	38.10	17.78	17.78	15	2-87499-7
-	-	35.56	15.24	17.78	14	2-87499-6
-	ALL	35.56	15.24	17.78	14	2-87499-5
-	-	33.02	15.24	15.24	13	2-87499-4
-	ALL	33.02	15.24	15.24	13	2-87499-3
-	-	30.48	12.70	15.24	12	2-87499-2
-	ALL	30.48	12.70	15.24	12	2-87499-1
-	-	27.94	12.70	12.70	11	2-87499-0
-	ALL	27.94	12.70	12.70	11	1-87499-9
-	-	25.40	10.16	12.70	10	1-87499-8
-	ALL	25.40	10.16	12.70	10	1-87499-7
-	-	22.86	10.16	10.16	9	1-87499-6
-	ALL	22.86	10.16	10.16	9	1-87499-5
-	-	20.32	7.62	10.16	8	1-87499-4
-	ALL	20.32	7.62	10.16	8	1-87499-3
-	-	15.24	5.08	7.62	6	1-87499-2
-	ALL	15.24	5.08	7.62	6	1-87499-1
-	-	12.70	5.08	5.08	5	1-87499-0
-	ALL	12.70	5.08	5.08	5	87499-9
-	-	10.16	2.54	5.08	4	87499-8
-	ALL	10.16	2.54	5.08	4	87499-7
-	-	7.62	2.54	2.54	3	87499-6
-	ALL	7.62	2.54	2.54	3	87499-5
-	-	5.08	-	2.54	2	87499-4
-	ALL	5.08	-	2.54	2	87499-3
-	-	17.78	7.62	7.62	7	87499-2
-	ALL	17.78	7.62	7.62	7	87499-1

SUPPERSEDED BY 3-87499-4	△	-	45.72	20.32	22.86	18	8-87499-9
SUPPERSEDED BY 3-87499-2	△	-	43.18	20.32	20.32	17	8-87499-8
SUPPERSEDED BY 3-87499-0	△	-	40.64	17.78	20.32	16	8-87499-7
SUPPERSEDED BY 2-87499-8	△	-	38.10	17.78	17.78	15	8-87499-6
SUPPERSEDED BY 2-87499-6	△	-	35.56	15.24	17.78	14	8-87499-5
SUPPERSEDED BY 2-87499-4	△	-	33.02	15.24	15.24	13	8-87499-4
SUPPERSEDED BY 2-87499-2	△	-	30.48	12.70	15.24	12	8-87499-3
SUPPERSEDED BY 2-87499-0	△	-	27.94	12.70	12.70	11	8-87499-2
SUPPERSEDED BY 1-87499-8	△	-	25.40	10.16	12.70	10	8-87499-1
SUPPERSEDED BY 1-87499-6	△	-	22.86	10.16	10.16	9	8-87499-0
OBSOLETE	△	-	20.32	7.62	10.16	8	7-87499-9
SUPPERSEDED BY 87499-2	△	-	17.78	7.62	7.62	7	7-87499-8
SUPPERSEDED BY 1-87499-2	△	-	15.24	5.08	7.62	6	7-87499-7
SUPPERSEDED BY 1-87499-0	△	-	12.70	5.08	5.08	5	7-87499-6
SUPPERSEDED BY 87499-8	△	-	10.16	2.54	5.08	4	7-87499-5
SUPPERSEDED BY 87499-6	△	-	7.62	2.54	2.54	3	7-87499-4
SUPPERSEDED BY 87499-4	△	-	5.08	-	2.54	2	7-87499-3
-	-	-	2.54	-	-	1	7-87499-2
SUPPERSEDED BY 7-87499-2	-	ALL	2.54	-	-	1	7-87499-1
-	-	-	91.44	43.18	45.72	36	7-87499-0
-	ALL	-	91.44	43.18	45.72	36	6-87499-9
-	-	-	88.90	43.18	43.18	35	6-87499-8
-	ALL	-	88.90	43.18	43.18	35	6-87499-7
-	-	-	86.36	40.64	43.18	34	6-87499-6
-	ALL	-	86.36	40.64	43.18	34	6-87499-5
-	-	-	83.82	40.64	40.64	33	6-87499-4
-	ALL	-	83.82	40.64	40.64	33	6-87499-3
-	-	-	81.28	38.10	40.64	32	6-87499-2
-	ALL	-	81.28	38.10	40.64	32	6-87499-1
-	-	-	78.74	38.10	38.10	31	6-87499-0
-	ALL	-	78.74	38.10	38.10	31	5-87499-9
-	-	-	76.20	35.56	38.10	30	5-87499-8
-	ALL	-	76.20	35.56	38.10	30	5-87499-7
-	-	-	73.66	35.56	35.56	29	5-87499-6
-	ALL	-	73.66	35.56	35.56	29	5-87499-5
-	-	-	71.12	33.02	35.56	28	5-87499-4
-	ALL	-	71.12	33.02	35.56	28	5-87499-3
-	-	-	68.58	33.02	33.02	27	5-87499-2
-	ALL	-	68.58	33.02	33.02	27	5-87499-1
-	-	-	66.04	30.48	33.02	26	5-87499-0
-	ALL	-	66.04	30.48	33.02	26	4-87499-9
-	-	-	63.50	30.48	30.48	25	4-87499-8
-	ALL	-	63.50	30.48	30.48	25	4-87499-7
-	-	-	60.96	27.94	30.48	24	4-87499-6
NOTES	MARKING	L	B	A	NO OF POSN	PART NUMBER	

THIS DRAWING IS A CONTROLLED DOCUMENT.

DWN E. BRANDBERG 21-JUN-95
 CHK S. SHUEY 21-JUN-95
 APVD D. DUPLER 21-JUN-95

STE TE Connectivity

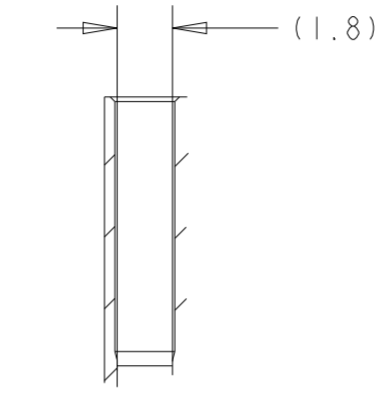
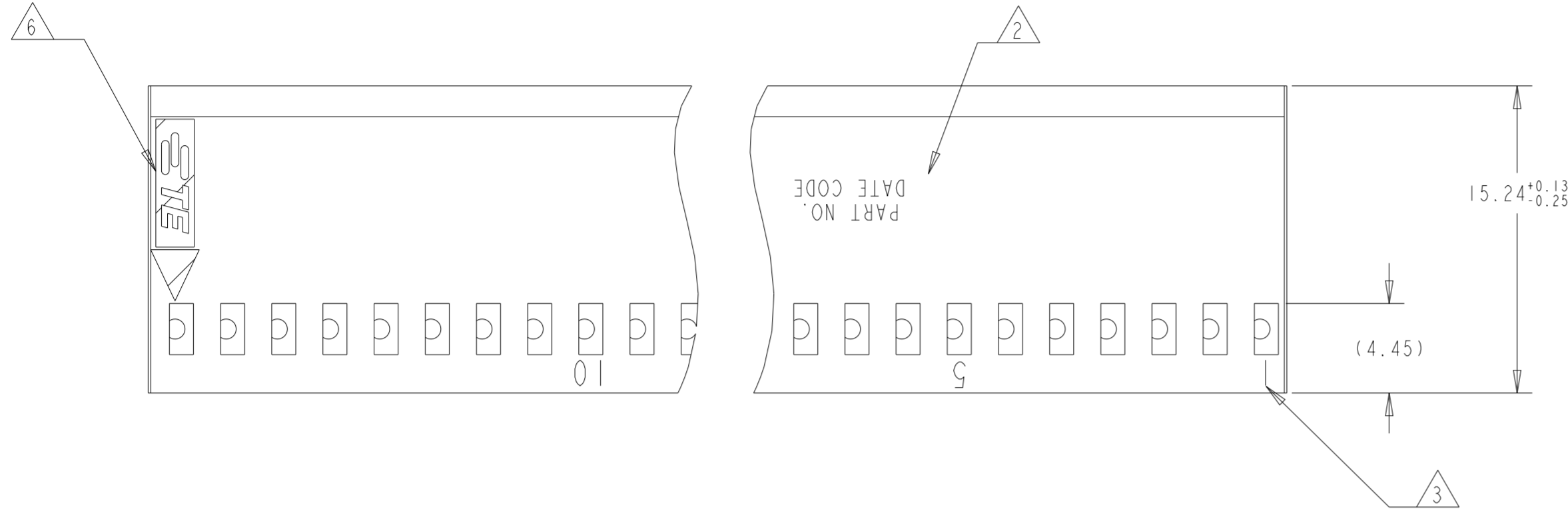
NAME HOUSING, MOD IV, SINGLE ROW, .100 CL, CRIMP SNAP-IN

PRODUCT SPEC -
 APPLICATION SPEC -
 WEIGHT -

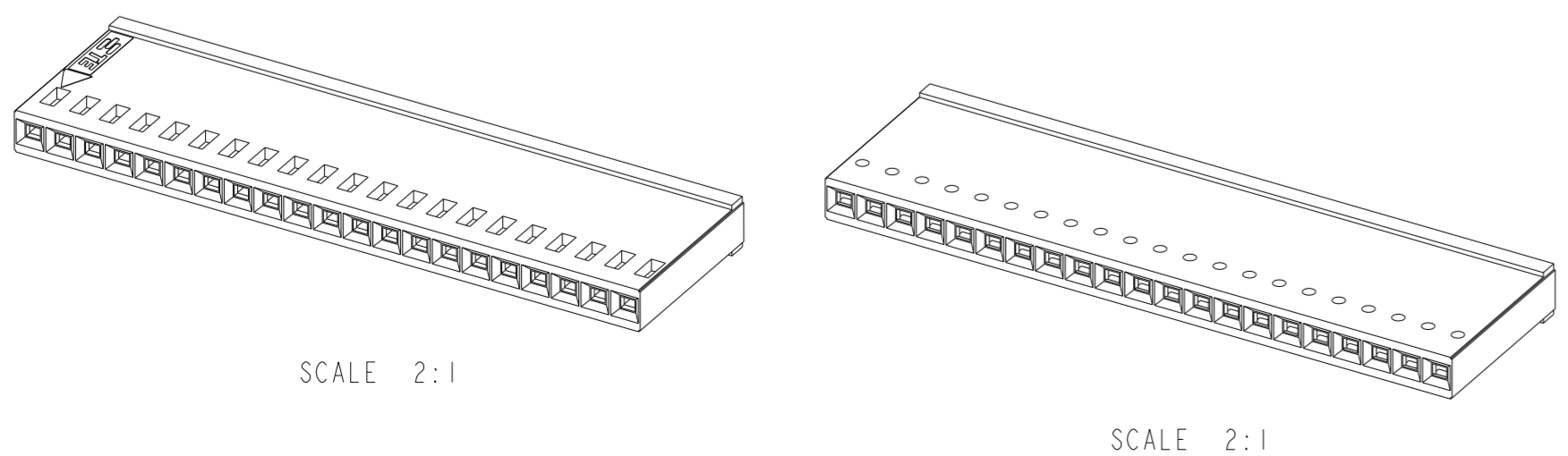
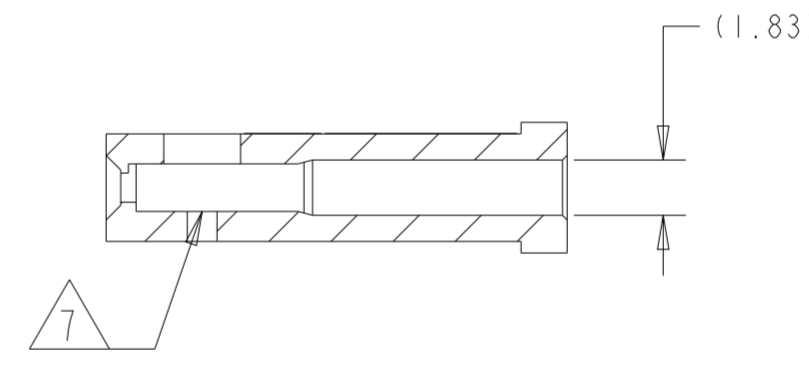
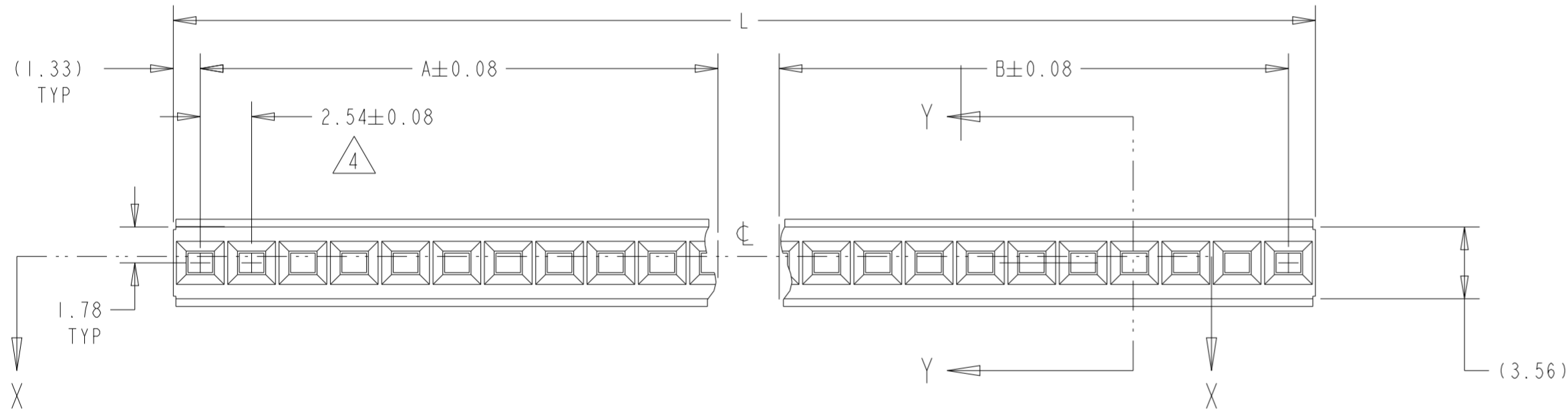
SIZE A2 CAGE CODE 00779 DRAWING NO. C-87499 RESTRICTED TO -


CUSTOMER DRAWING SCALE 4:1 SHEET 1 OF 2 REV W

P	LTR	DESCRIPTION	DATE	DWN	APVD
-	-	SEE SHEET 1	-	-	-



- 1 GLASS FILLED THERMOPLASTIC, UL 94-V0 RATED, COLOR:BLACK
- 2 PART NO. AND DATE CODE MARKED IN APPROX. AREA SHOWN WHEN HOUSING SIZE PERMITS.
- 3 CAVITY INDENTS, MARKED FIRST AND EVERY FIFTH CAVITY (ONE SIDE) AS SHOWN
- 4 TOLERANCE NON-CUMULATIVE.
- 5. USE EXTRACTION TOOL 91052-1 TO REMOVE RECEPTACLE CONTACTS.
- 6 TE LOGO MOLDED IN TEXTURED AREA AS SHOWN.
- 7 FLASH ALLOWED TO BE 0.38 IN THIS AREA.
- 8 OBOLETE PARTS: OBOLETE CIS STREAMLINING PER D.RENAUD/D.SINISI
- 9. THE PRODUCT IS IN PROCESS FOR UL RECOGNITION.
- 10. THE PRODUCT IS NOT YET QUALIFIED AND IS IN PROCESS.



THIS DRAWING IS A CONTROLLED DOCUMENT.		DWN E. BRANDBERG 21-JUN-95	 TE Connectivity
DIMENSIONS: mm		CHK S. SHUEY 21-JUN-95	
TOLERANCES UNLESS OTHERWISE SPECIFIED:		APVD D. DUPLER 21-JUN-95	NAME HOUSING, MOD IV, SINGLE ROW, .100 CL, CRIMP SNAP-IN
0 PLC ±	1 PLC ±	PRODUCT SPEC	SIZE
2 PLC ±0.13(.005)	3 PLC ±	APPLICATION SPEC	CAGE CODE
4 PLC ±	ANGLES ±	FINISH	DRAWING NO
MATERIAL	FINISH	WEIGHT	A2100779
-		CUSTOMER DRAWING	C-87499
-		SCALE 4:1	SHEET 2 OF 2
-		REV W	RESTRICTED TO