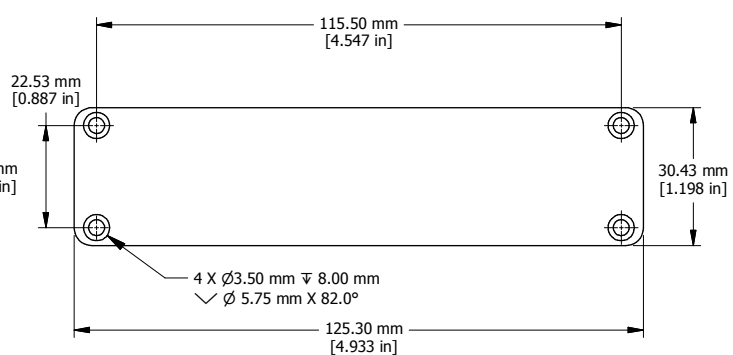
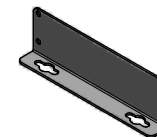


EXTRUSION



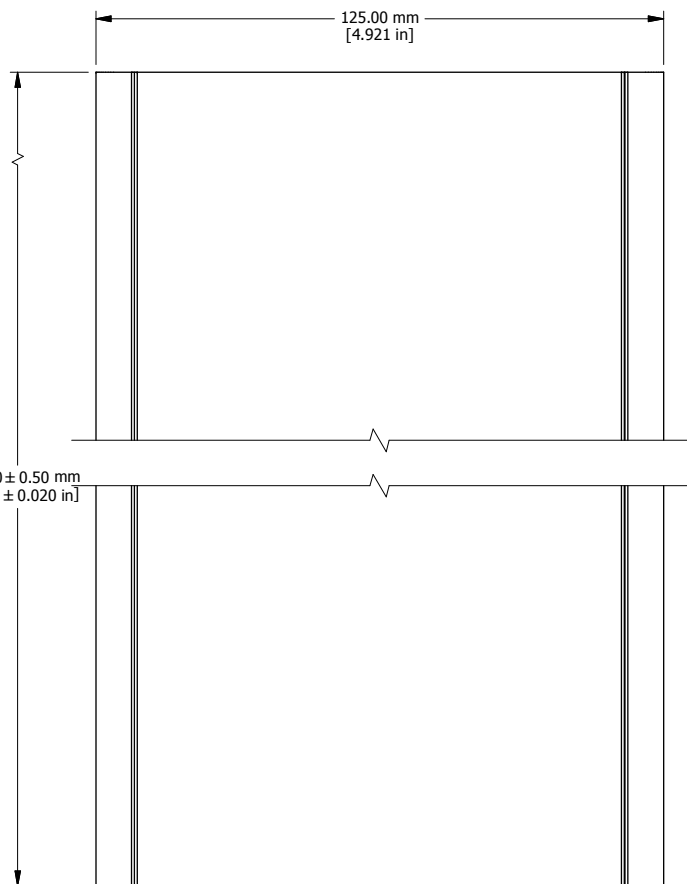
END PLATE



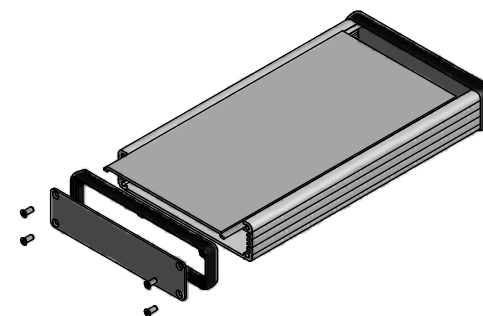
OPTIONAL FLANGE END PANELS
1455PF

B

B



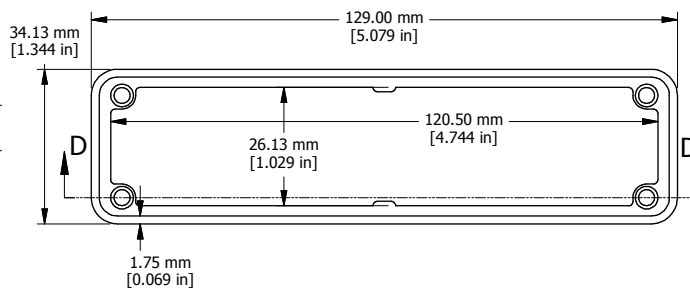
EXTRUSION DESIGNED FOR 120MM WIDE PC BOARD



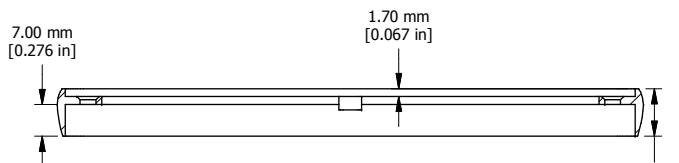
EXPLODED ASSEMBLY VIEW

A

A



OPEN BEZEL



Enclosures can be Factory Modified (Milling, Drilling, Printing etc.)
 Solid models of this enclosure available in STEP or IGES.
 Contact Factory mjm@hammondmfg.com

NOTE	
Purchased assembly includes box, plastic bezels, end panels, #6 Taptight screws and self adhesive rubber feet.	
Box made from Extruded Aluminum 6063.	
Bezels made with polycarbonate.	

1455P2201 PART NUMBERS	
Clear Anodized	1455P2201
Black Anodized	1455P2201BK
Blue Anodized	1455P2201BU
Red Anodized	1455P2201RD
ACCESSORIES	
See website for accessories.	

**HAMMOND
MANUFACTURING™**

1455P2201

www.hammondmfg.com