

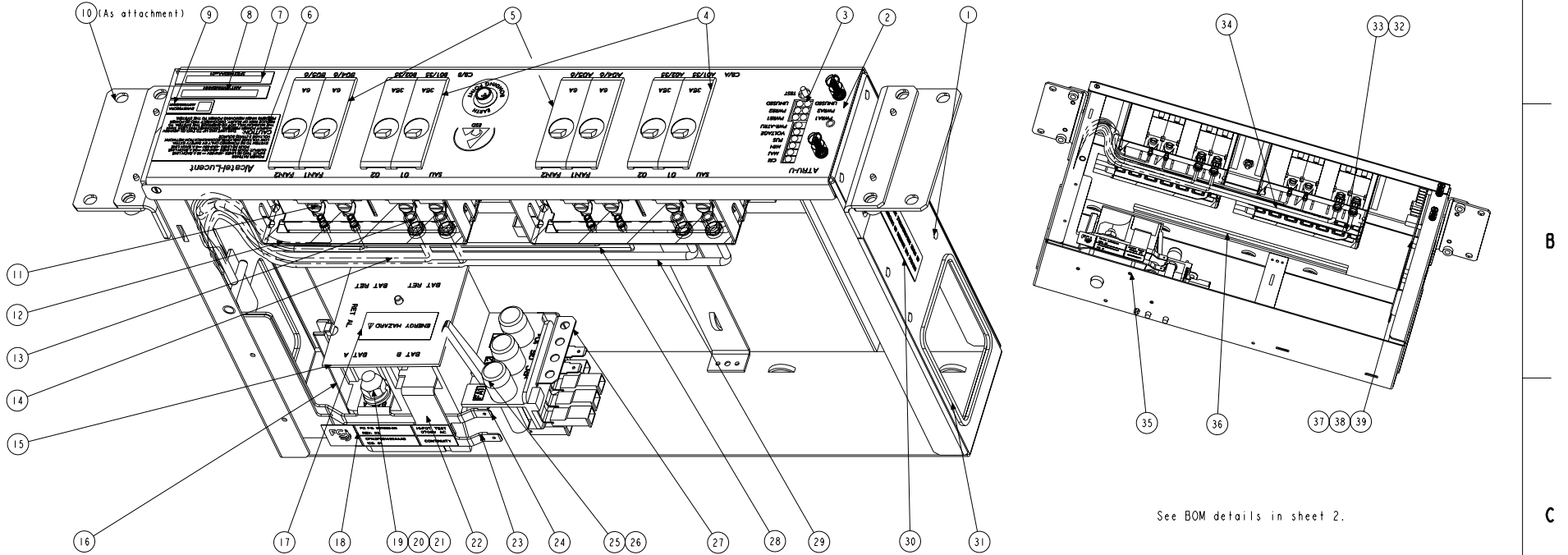
FCI CONFIDENTIAL



This document is the property of and embodies CONFIDENTIAL and PROPRIETARY information of FCI. No part of the information shown on this document may be used in any way or disclosed to others without the written consent of FCI. Copyright FCI.

FCI P/N	CPN	Description
10079188-001	3FE51460AAAB	19in_TRU_6_35

Revision History - All sheets are the same status.			
REV	ZONE	DESCRIPTION	ECR
A	ALL	Initial Release.	N08-0016



See BOM details in sheet 2.

- Notes:
- To make the drawing clear, cable assembly is not included in this drawing. Details are listed in 10079185.
 - RoHS status of the product: All of the materials are RoHS compliant EXCEPT PCBA (5/6 RoHS). Refer to corresponding FCI globe document: GBS-07-B18, please.
 - Continuity test, hi-pot test and function test should be implemented.
 - Make sure that there are no burrs and scratch.
 - All the breakers are "OPEN" when deliver the product.
 - Finish goods must be clean and free of foreign matter.

REV F: 2008-04-17

TOLERANCES UNLESS OTHERWISE SPECIFIED		rev	ecn no	dr	date
LINEAR	0.X ±0.5	-	-	-	-
	0.XX ±0.3	-	-	-	-
	0.XXX ±0.1	-	-	-	-
ANGULAR	0° ±2°	-	-	-	-

Material: see notes.		Spec ref	
Mat code	tolerance	projection	MM
Heatreat	<input checked="" type="checkbox"/>		
Plating/Finish		size	Scale
Dr	Feagle Pan	2007-06-29	A4
Eng	Feagle Pan	2007-06-29	0.300
Chr	Johnson Long	2007-06-29	Product family: BUSBAR
Appr		WZ Hu	Model Name 19IN_TRU_6_35
Model Revision		REL Level	ECN
FCI title		19in_TRU_6_35	Rev. A
Pro/E file	catalog no	Customer	sheet 1 of 3

PDM: Rev:A

STATUS: Released

Printed: Jul 24, 2010

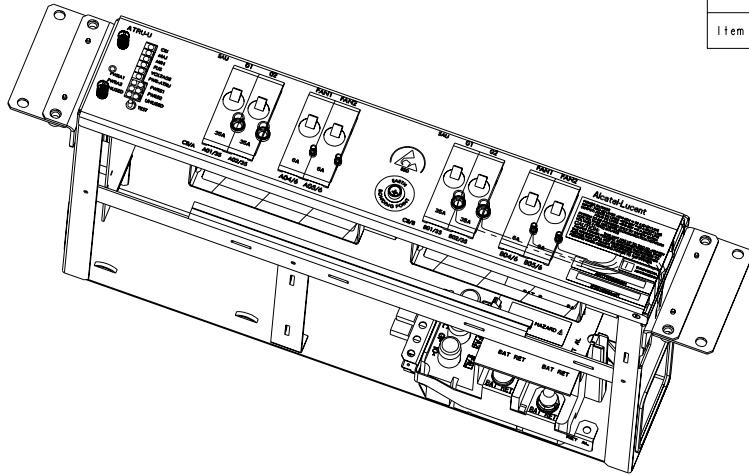
FCI CONFIDENTIAL



This document is the property of and embodies CONFIDENTIAL and PROPRIETARY information of FCI. No part of the information shown on this document may be used in any way or disclosed to others without the written consent of FCI. Copyright FCI.

REV F: 2006-04-17

Product View



39	4	EA	P08125HHALF	M3 Screw	To lock PCB	25	3	EA	P07828EHALF	FUSE HOLDER	/
38	4	EA	P08127KHALF	M3 Spring washer	/	24	1	EA	I0083372-002	TRU BAT A	C11000, 1/2 harder.
37	4	EA	P08126JHALF	M3 Washer	/	23	1	EA	I0083372-001	TRU BAT B	C11000, 1/2 harder.
36	1	FT	I0084835-001	Richco DSC-1-48	Protected sheath.	22	0.3	SM	T900124	Single side film	Mylar film.
35	2	EA	P08116GHALF	SCREW	/	21	4	EA	P08007CHALF	M6 Nut	/
34	4	EA	I0044088-101	Breaker Holder	/	20	4	EA	P07977THALF	M6 Spring Washer	/
33	16	EA	I0028541-0001	Term FCI60040061	/	19	4	EA	P07978UHALF	M6 Washer	/
32	4	EA	I0044088-002	MIDDLE BUS BAR	C11000, 1/2 harder.	18	1	EA	I0079174-001	F/G Label	/
31	2	EA	P08175UHA	Cable protection	/	17	1	EA	I0079174-005	Hazard label	/
30	1	EA	I0083734-015	Safety label	/	16	1	EA	I0044088-100	Busbar holder hsg.	/
29	1.04	M	I0079182-007	Bare Cu, black, 10AWG	UL1015-10	15	1	EA	H3045S06	Plastic board	/
28	0.9	M	I0079182-005	Bare Cu, black, 16AWG	UL1015-16	14	0.62	M	I0079182-008	Bare Cu, blue, 10AWG	UL1015-10
27	1	EA	I0079179-006	TRU BAT RET	C11000, 1/2 harder.	13	4	EA	I0026568-0004	M5 Ring lug	For 10AWG
26	3	EA	P08128LHALF	FUSE 5A 250V	/	12	0.5	M	I0079182-006	Bare Cu, blue, 16AWG	UL1015-16
Item	Qty	FCI P/N	Description	Remarks		11	4	EA	I0079175-001	M5 Ring lug	For 16AWG.
						10	2	EA	I0083989-001	Adapier	As attachment with matched screw spring washer and washer.
						9	1	EA	I0083734-004	2D Label	/
						8	1	EA	I0083734-002	S/N Label	/
						7	1	EA	I0083734-003	P/N Label	CPN
						6	1	EA	I0083734-001	Power Label	/
						5	4	EA	I0079178-001	6A Breaker with screw	6A Breaker.
						4	4	EA	I0079178-002	35A Breaker with screw	35A Breaker.
						3	1	EA	P08111BHALF	PCBA	3EC17637AAAA.
						2	1	EA	I0079177-001	Front panel	Mirror SUS430.
						1	1	EA	I0079176-001	Chassis	Mirror SUS430.
Item	Qty	FCI P/N	Description	Remarks							

Material			Spec ref		
Mat code		tolerance		projection	
Heat treat		✓			
Plating/Finish			MM		
Dr	Feagle Pan	2007-06-29	size		A4
Eng	Feagle Pan	2007-06-29	Scale		0.200
Chr	Johnson Long	2007-06-29	Product family:		BUSBAR
Appr	WZ Hu	2007-06-29	Model Name		ECN
			Model Revision		REL Level
		title		Rev.	
Pro/E file		catalog no		A	
		19in_TRU_6_35		10079188	
		Customer		sheet 2 of 3	

PDM: Rev:A

STATUS: Released

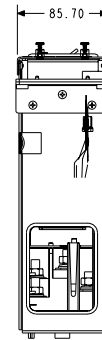
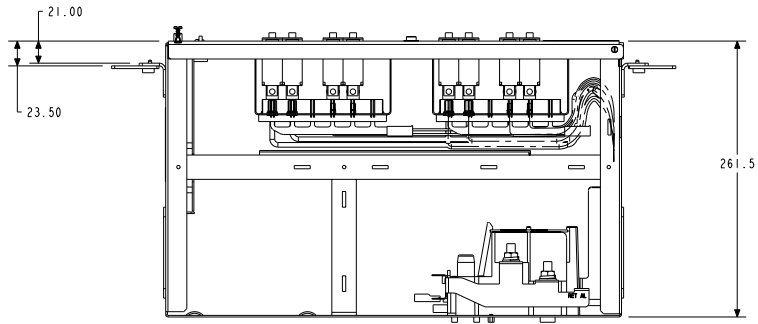
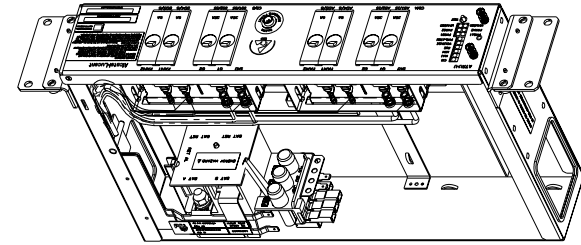
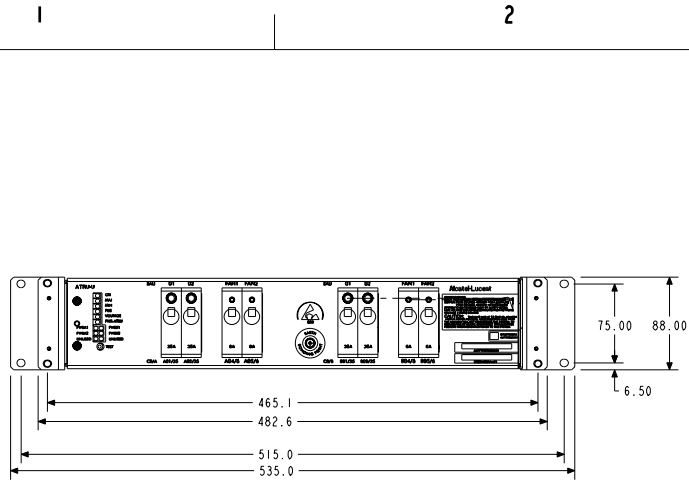
Printed: Jul 24, 2010

FCI CONFIDENTIAL



This document is the property of and embodies CONFIDENTIAL and PROPRIETARY information of FCI. No part of the information shown on this document may be used in any way or disclosed to others without the written consent of FCI. Copyright FCI.

REV F: 2006-04-17



Material			Spec ref		
Mat code			tolerance	projection	MM
Heatreat			✓		
Plating/Finish			size A4		
Dr	Feagle Pan	2007-06-29	Product family: BUSBAR		Scale 0.150
Eng	Feagle Pan	2007-06-29	Model Name		ECN
Chr	Johnson Long	2007-06-29	Model Revision		REL Level
Appr	WZ Hu	2007-06-29			
	title	19in_TRU_6_35		dwg no	10079188
Pro/E file	catalog no			Customer	sheet 3 of 3
			Rev.	A	

PDM: Rev:A

STATUS: Released

Printed: Jul 24, 2010