

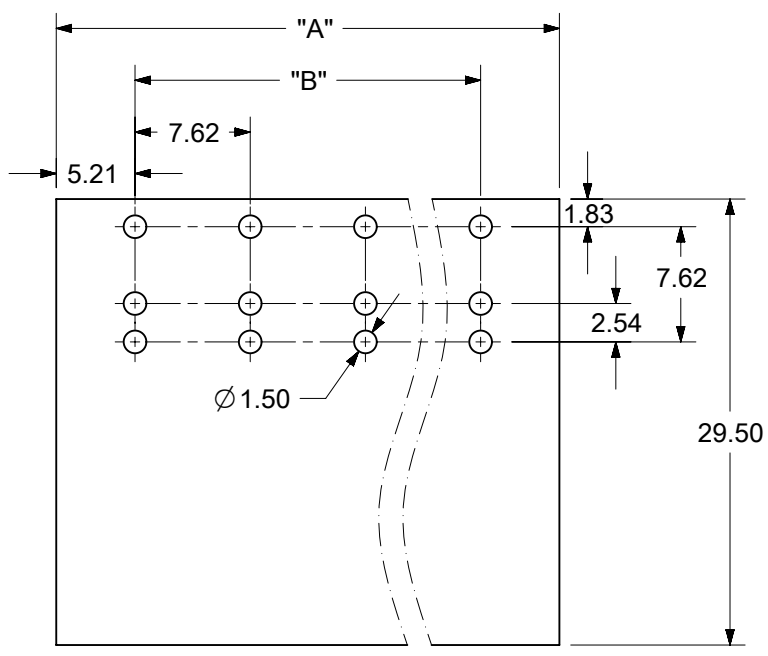
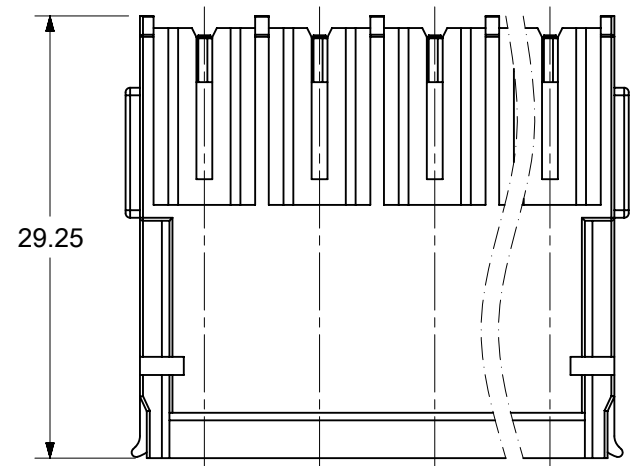
| NO. OF CIRCUITS | PART NO. | ENGINEERING NO. | COLOR | DIM "A" | DIM "B" |
|-----------------|-----------|-----------------|-------|---------|---------|
| | | | | MM | MM |
| 2 | 397691002 | MX501R-02P-G12 | GREEN | 18.04 | 7.62 |
| 3 | 397691003 | MX501R-03P-G12 | GREEN | 25.66 | 15.24 |
| 4 | 397691004 | MX501R-04P-G12 | GREEN | 33.28 | 22.86 |
| 5 | 397691005 | MX501R-05P-G12 | GREEN | 40.90 | 30.48 |
| 6 | 397691006 | MX501R-06P-G12 | GREEN | 48.52 | 38.10 |
| 7 | 397691007 | MX501R-07P-G12 | GREEN | 56.14 | 45.72 |
| 8 | 397691008 | MX501R-08P-G12 | GREEN | 63.76 | 53.34 |
| 9 | 397691009 | MX501R-09P-G12 | GREEN | 71.38 | 60.96 |
| 10 | 397691010 | MX501R-10P-G12 | GREEN | 79.00 | 68.58 |
| 11 | 397691011 | MX501R-11P-G12 | GREEN | 86.62 | 76.20 |
| 12 | 397691012 | MX501R-12P-G12 | GREEN | 94.24 | 83.82 |

| MATERIALS | |
|-------------|-------------------------|
| 1. HOUSING | PA66 UL94 V-0 |
| 2. TERMINAL | TIN PLATED COPPER ALLOY |

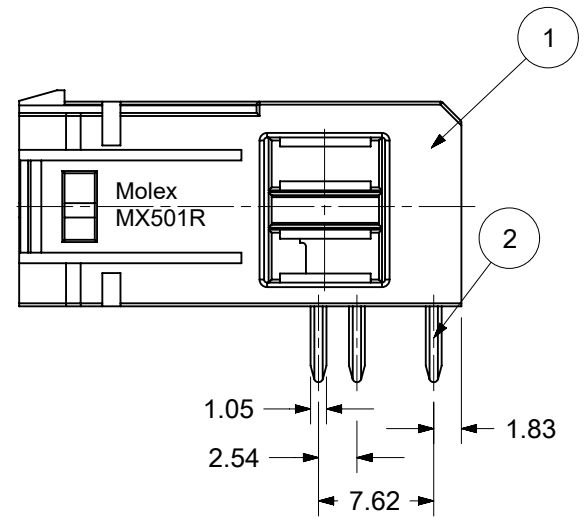
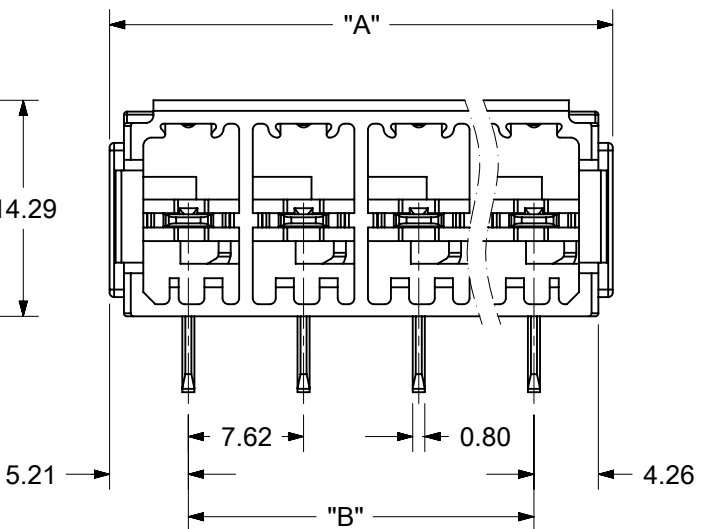
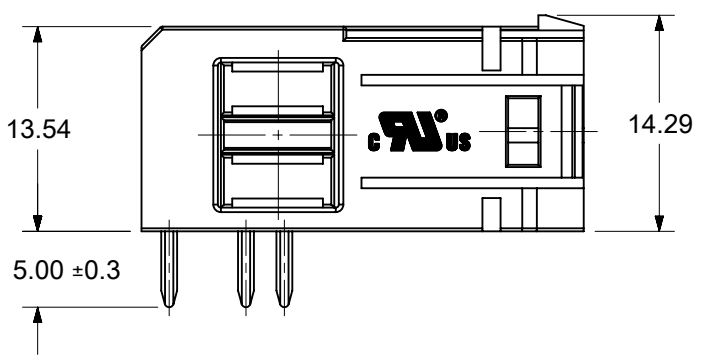
| ELECTRICAL AND THERMAL RATINGS | |
|--------------------------------|----------------------------|
| MAXIMUM VOLTAGE | 300V (PER UL GROUP B OR C) |
| | 600V (PER UL GROUP D) |
| MAXIMUM CURRENT | 41A (PER UL GROUP B OR C) |
| | 5A (PER UL GROUP D) |
| INSULATION RESISTANCE | 500MΩ OR MORE AT 500V DC |
| INSULATION WITHSTAND VOLTAGE | 2200V PER 1 MINUTE |
| OPERATING TEMPERATURE | -40°C TO +105°C |

| Total Pitch Tolerances in mm | | | | | | | | | Nominal dimension range in mm | | | | | | | | | |
|------------------------------|-------|-------|-------|-------|-------|-------|-------|-------|-------------------------------|-------|-------|-------|-------|-------|-------|-------|-------|------|
| over | over | over | over | over | over | over | over | over | over | over | over | over | over | over | over | over | over | over |
| 0 | 30 | 53 | 70 | 90 | 115 | 150 | 200 | 250 | 0 | 30 | 53 | 70 | 90 | 115 | 150 | 200 | 250 | |
| to | to | to | to | to | to | to | to | to | to | to | to | to | to | to | to | to | to | |
| 30 | 53 | 70 | 90 | 115 | 150 | 200 | 250 | 320 | 30 | 53 | 70 | 90 | 115 | 150 | 200 | 250 | 320 | |
| ±0.20 | ±0.25 | ±0.30 | ±0.35 | ±0.44 | ±0.55 | ±0.70 | ±0.85 | ±1.00 | ±0.25 | ±0.30 | ±0.35 | ±0.44 | ±0.55 | ±0.70 | ±0.80 | ±0.90 | ±1.20 | |

DOCUMENT STATUS P1 RELEASE DATE 2022/05/13 15:39:56



PC BOARD LAYOUT



| | | | | | | | | |
|--|---|------------------------|---|-----------------|--|----------------|----------|----------|
| FUNCTIONAL SYMBOLS | THIS DRAWING CONTAINS INFORMATION THAT IS PROPRIETARY TO MOLEX ELECTRONIC TECHNOLOGIES, LLC AND SHOULD NOT BE USED WITHOUT WRITTEN PERMISSION | | CURRENT REV DESC: MODIFIED TITLE BLOCK DESCRIPTION | | molex | | | |
| | DIMENSION UNITS | SCALE | | | | | | |
| ∇ = 0 | mm | 2:1 | EC NO: 706702 DRWN: ABENJAMINLW 2022/05/12 CHK'D: DACHAMMER 2022/05/12 APPR: JFMURPHY 2022/05/13 | | 7.62MM PITCH HORIZONTAL TERMINAL BLOCK, HIGH CURRENT | | | |
| ∇ = 0 | GENERAL TOLERANCES (UNLESS SPECIFIED) | | | | | | | |
| ∇ = 0 | ANGULAR TOL ± --- | | | | | | | |
| DIVISIONAL SYMBOLS | 4 PLACES | ± --- | INITIAL REVISION: DRWN: ABENJAMINLW 2020/12/22 APPR: JFMURPHY 2021/06/22 | | PRODUCT CUSTOMER DRAWING | | | |
| | 3 PLACES | ± --- | | | DOCUMENT NUMBER | DOC TYPE | DOC PART | REVISION |
| | 2 PLACES | ± SEE CHART | | | 397691002 | PSD | 000 | A1 |
| | 1 PLACE | ± SEE CHART | | | | | | |
| 0 PLACES | ± --- | | | MATERIAL NUMBER | CUSTOMER | SHEET NUMBER | | |
| DRAFT WHERE APPLICABLE MUST REMAIN WITHIN DIMENSIONS | | THIRD ANGLE PROJECTION | DRAWING | SERIES | SEE CHART | GENERAL MARKET | 1 OF 1 | |