



## Main

Range of Product	Telemecanique Cabling components
Accessory / separate part category	Cabling accessory
Accessory / Separate Part Type	Pre-wired connectors
Series name	General purpose

## Complementary

Electrical connection	Elbowed male connector M12, 4 pins
Cable connector fixing	Screw-on
Collar material	Metal
Status LED	Without
Cable length	3.28 ft (1 m)
Cable outer diameter	0.18 in (4.6 mm)
Cable composition	4 x 0.25 mm <sup>2</sup>
Wire insulation material	PVC
[Ue] rated operational voltage	250 V AC 300 V DC
Line Rated Current	3 A
Contact resistance	5000 µOhm
Minimum insulating resistance	1 GΩ
Net Weight	0.11 lb(US) (0.052 kg)

## Environment

IP Degree of Protection	IP67 IP65
Product Certifications	cULus
Ambient air temperature for operation	-13...176 °F (-25...80 °C) static
Ambient Air Temperature for Storage	-13...176 °F (-25...80 °C)

## Ordering and shipping details

Category	22483-MACHINE CABLES
Discount Schedule	DS3
GTIN	3389119621564
Nbr. of units in pkg.	1
Package weight(Lbs)	1.80 oz (51.0 g)
Returnability	No
Country of origin	DE

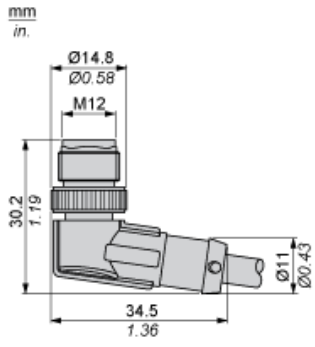
## Packing Units

Unit Type of Package 1	PCE
Package 1 Height	0.79 in (2 cm)
Package 1 width	4.72 in (12 cm)
Package 1 Length	5.12 in (13 cm)
Unit Type of Package 2	S02
Number of Units in Package 2	50
Package 2 Weight	6.62 lb(US) (3.005 kg)
Package 2 Height	5.91 in (15 cm)
Package 2 width	11.81 in (30 cm)
Package 2 Length	15.75 in (40 cm)

## Offer Sustainability

California proposition 65	WARNING: This product can expose you to chemicals including: Diisononyl phthalate (DINP), which is known to the State of California to cause cancer, and Di-isodecyl phthalate (DIDP), which is known to the State of California to cause birth defects or other reproductive harm. For more information go to <a href="http://www.P65Warnings.ca.gov">www.P65Warnings.ca.gov</a>
REACH Regulation	<a href="#">REACH Declaration</a>
EU RoHS Directive	Pro-active compliance (Product out of EU RoHS legal scope) <a href="#">EU RoHS Declaration</a>
Mercury free	Yes
RoHS exemption information	<a href="#">Yes</a>

Dimensions

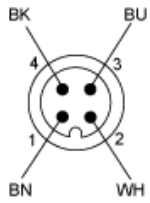


---

Connections and Schemes

---

Connector



BN : Brown  
BK : Black  
BU : Blue  
WH : White