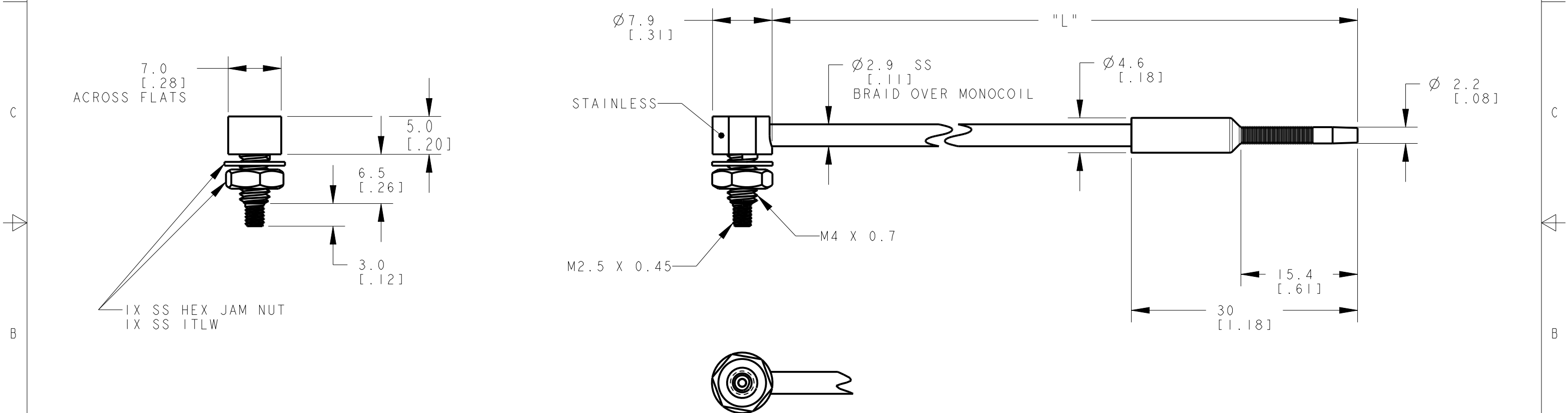
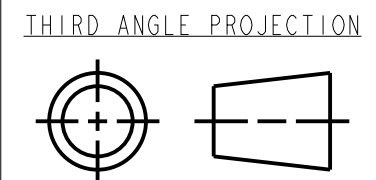


MODEL NO.	"L"	P/N
PIAT4.5TMB5MTA	152 [6]	31859
PIAT42TMB5MTA	610 [24]	42299
PIAT42.5TMB5MTA	762 [30]	31856
PIAT43TMB5MTA	1000 [39]	73306
PIAT46TMB5MTA	2000 [79]	74964
PIAT410TMB5MTA	3048 [120]	73498



NOTES:
 1. ALL DIMENSIONS ARE MILLIMETERS [INCHES] UNLESS OTHERWISE NOTED.
 2. REFER TO "www.bannerengineering.com" FOR ADDITIONAL DATA AND SPECIFICATIONS.

This drawing is the property of BANNER ENGINEERING CORP. Any use or reproduction, in any form, without prior written permission of Banner is prohibited. © 2015 Banner Engineering Corp.



BANNER BANNER ENGINEERING CORP.
 www.bannerengineering.com

TITLE
PIAT4 SERIES TERMINATED STEEL SKIN TIGHT ANGLE

SIZE B	DRAWING NO. 161905	REV. A
SCALE 2:1		SHEET 1 OF 1