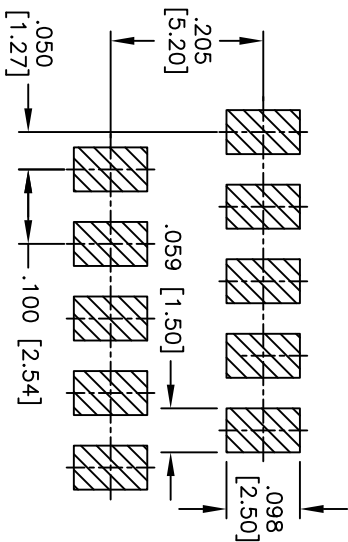
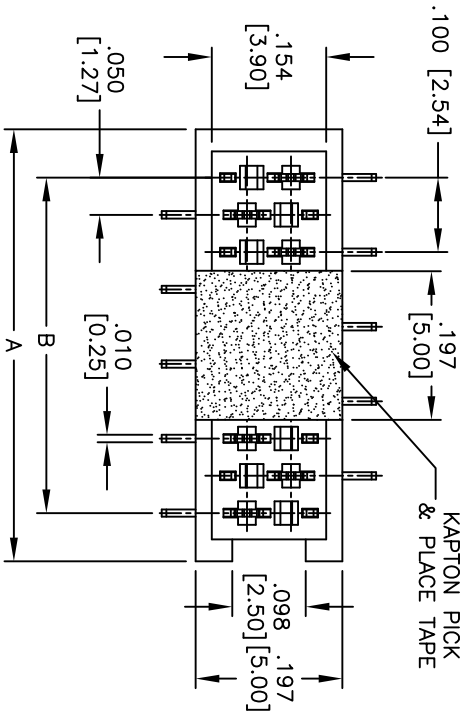
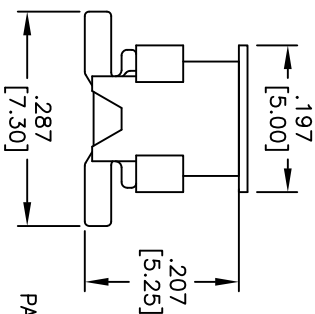
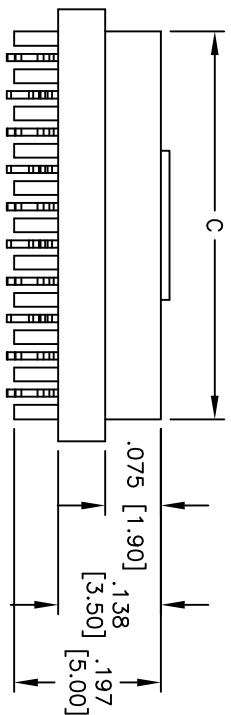


APPROVED: _____
 DATE: _____ TITLE: _____

Rev	AWO #	Description	Date	Appr
-		RELEASED	9/14/10	
A		UNDERPLATE WAS COPPER	1/31/12	SS



RECOMMENDED PCB LAYOUT



PACKAGED ON TAPE & REEL

SPECIFICATIONS:

- Material: Insulator: Hi-temp thermoplastic, rated UL 94V-0
- Insulator color: Red
- Contacts: Phosphor Bronze
- Plating: Tin over Nickel underplate overall
- Electrical: Current rating: 1.0 AMP
- Contact resistance: 20 mohms max.
- Insulation resistance: 1,000 Mohms min.
- Dielectric withstanding: 500V AC for 1 minute
- Temperature Rating: Operating temperature: -40°C to +105°C
- Environmental: Lead free, RoHS compliant
- Recommended soldering temp: 260°C for 5 seconds

Positions: 4 thru 20
 A = .050 [1.27] x No. of Positions + .076 [1.92]
 B = .050 [1.27] x No. of Spoces
 C = .050 [1.27] x No. of Positions + .020 [0.52]

UNLESS OTHERWISE SPECIFIED
 ALL DIMENSIONS ARE INCHES [MM]
 TOLERANCES: EXCEPT AS NOTED
 INCHES HOLEs
 .X ± .10 ØXX ± .10
 .XX ± .020 ØXXX ± .015
 .XXX ± .015 ØXXXX ± .010

ADAM TECH
 909 Rahway Avenue, Union, NJ 07083
 Phone: 908-687-5000 Fax: 908-687-5710
 TITLE: .050 [1.27] MICRO MATCH SOCKET, SMT TYPE
 TIN PLATED

APPROVALS	DATE	SIZE	PART NO.	REV.
DRAWN AY	9/14/10	X	MPF-A-XX-SMT-1-KT-T/R	A
CHECKED VW	9/14/10	X		
APPROVED			REF: S00019C	

