

**ebm-papst Mulfingen GmbH & Co. KG**

Bachmühle 2 · D-74673 Mulfingen

Phone +49 7938 81-0

Fax +49 7938 81-110

info1@de.ebmpapst.com

www.ebmpapst.com

Limited partnership · Headquarters Mulfingen

Amtsgericht (court of registration) Stuttgart · HRA 590344

General partner Elektrobau Mulfingen GmbH · Headquarters Mulfingen

Amtsgericht (court of registration) Stuttgart · HRB 590142

**Nominal data**

<b>Type</b>	<b>M2E068-EC07-18</b>	
<b>Motor</b>	<b>M2E068-EC</b>	
Phase		1~
Nominal voltage	VAC	208
Frequency	Hz	60
Method of obtaining data		me
Valid for approval/standard		CE/UL
Speed (rpm)	min <sup>-1</sup>	2800
Power consumption	W	220
Power output	W	110
Current draw	A	1.10
Rated torque	Ncm	37
Mean starting torque	Ncm	21
Capacitor	µF	6
Capacitor voltage	VDB	400
Capacitor standard		S2 (CE)
Max. ambient temperature	°C	-
Starting current	A	1.55

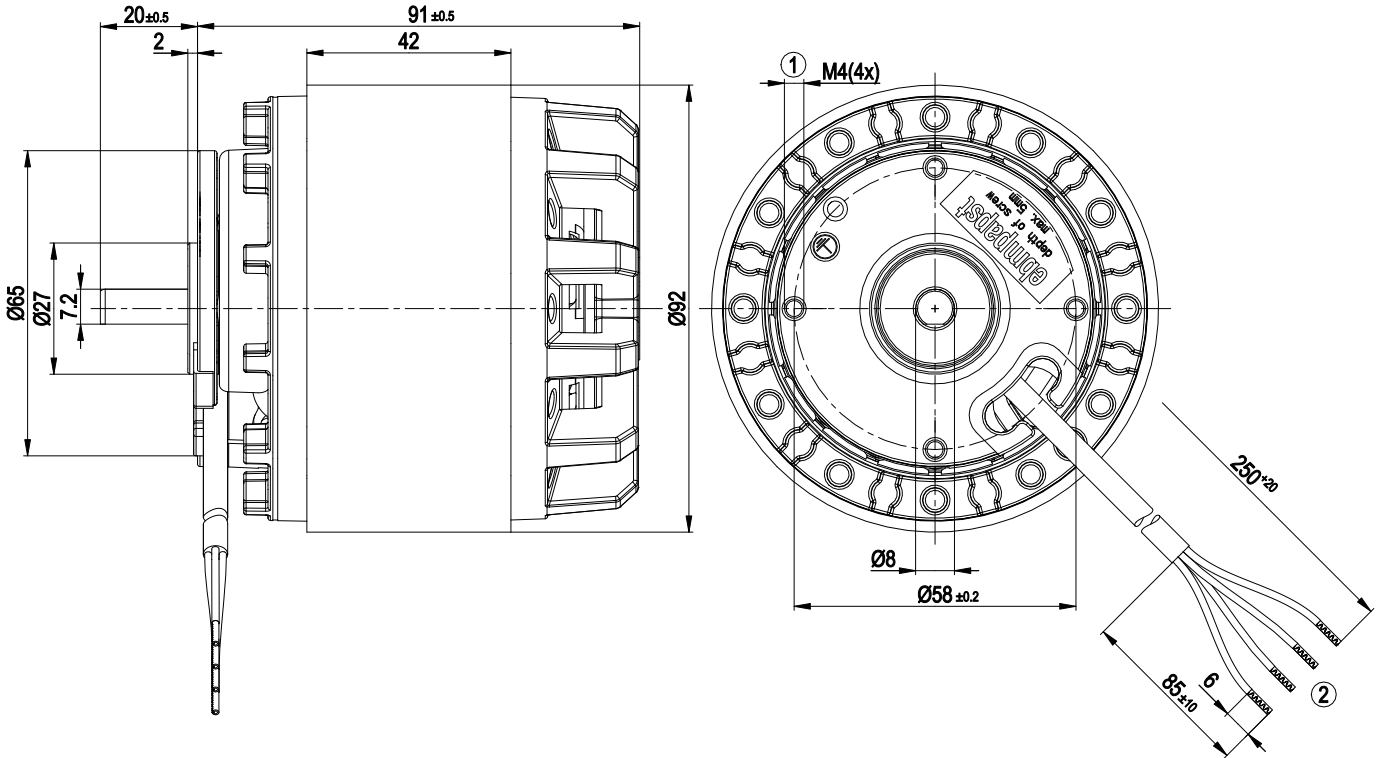
ml = Max. load · me = Max. efficiency · fa = Free air · cs = Customer specification · ce = Customer equipment  
Subject to change



### Technical description

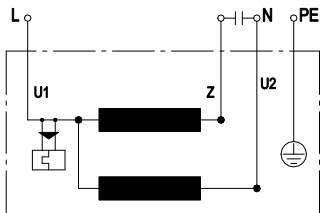
<b>Weight</b>	2.2 kg
<b>Fan size</b>	68 mm
<b>Rotor surface</b>	Rotor open, painted black
<b>Direction of rotation</b>	Clockwise, viewed toward rotor
<b>Degree of protection</b>	IP10
<b>Insulation class</b>	"F"
<b>Moisture (F) / Environmental (H) protection class</b>	H0 - dry environment
<b>Max. permitted ambient temp. for motor (transport/storage)</b>	+ 80 °C
<b>Min. permitted ambient temp. for motor (transport/storage)</b>	- 40 °C
<b>Installation position</b>	Any
<b>Condensation drainage holes</b>	None, open rotor
<b>Mode</b>	S1
<b>Motor bearing</b>	Ball bearing
<b>Touch current according to IEC 60990 (measuring circuit Fig. 4, TN system)</b>	< 0.75 mA
<b>Motor protection</b>	Thermal overload protector (TOP) internally connected
<b>Protection class</b>	I (with customer connection of protective earth)
<b>Conformity with standards</b>	EN 60335-1; CE

Product drawing



- 1 Max. clearance for screw 5 mm
- 2 Cable silicone 4G 0.5 mm<sup>2</sup>, 4x crimped splices

Connection diagram



U1	blue	Z	brown	U2	black
PE	green/yellow				



## Curves: Speed (rpm)

