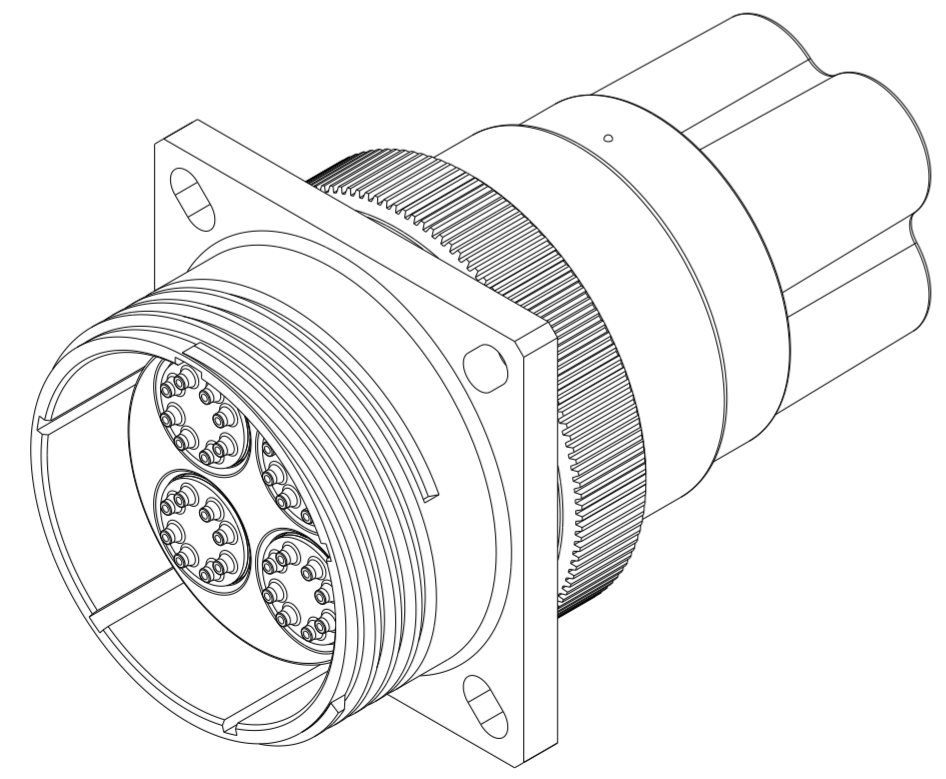
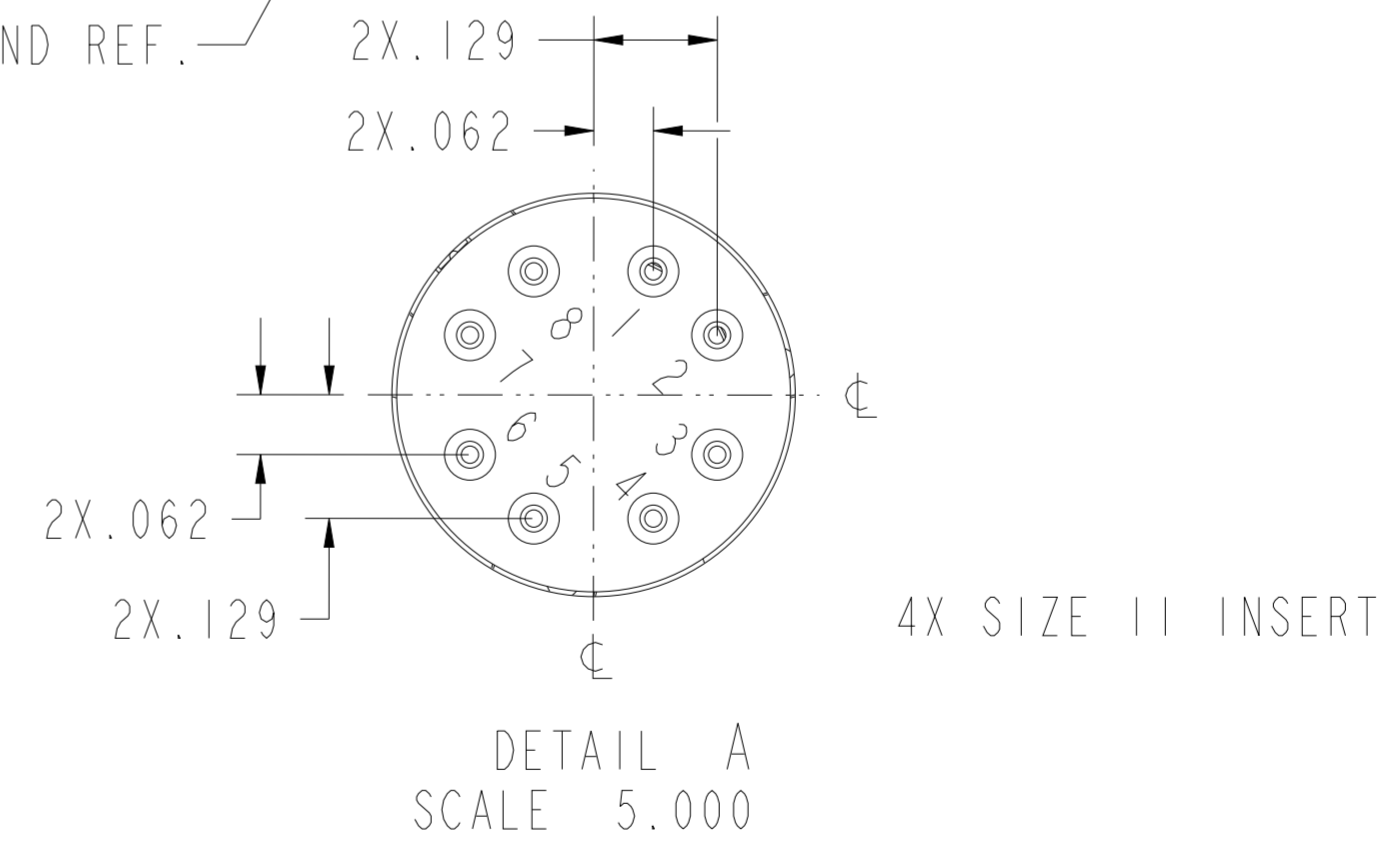
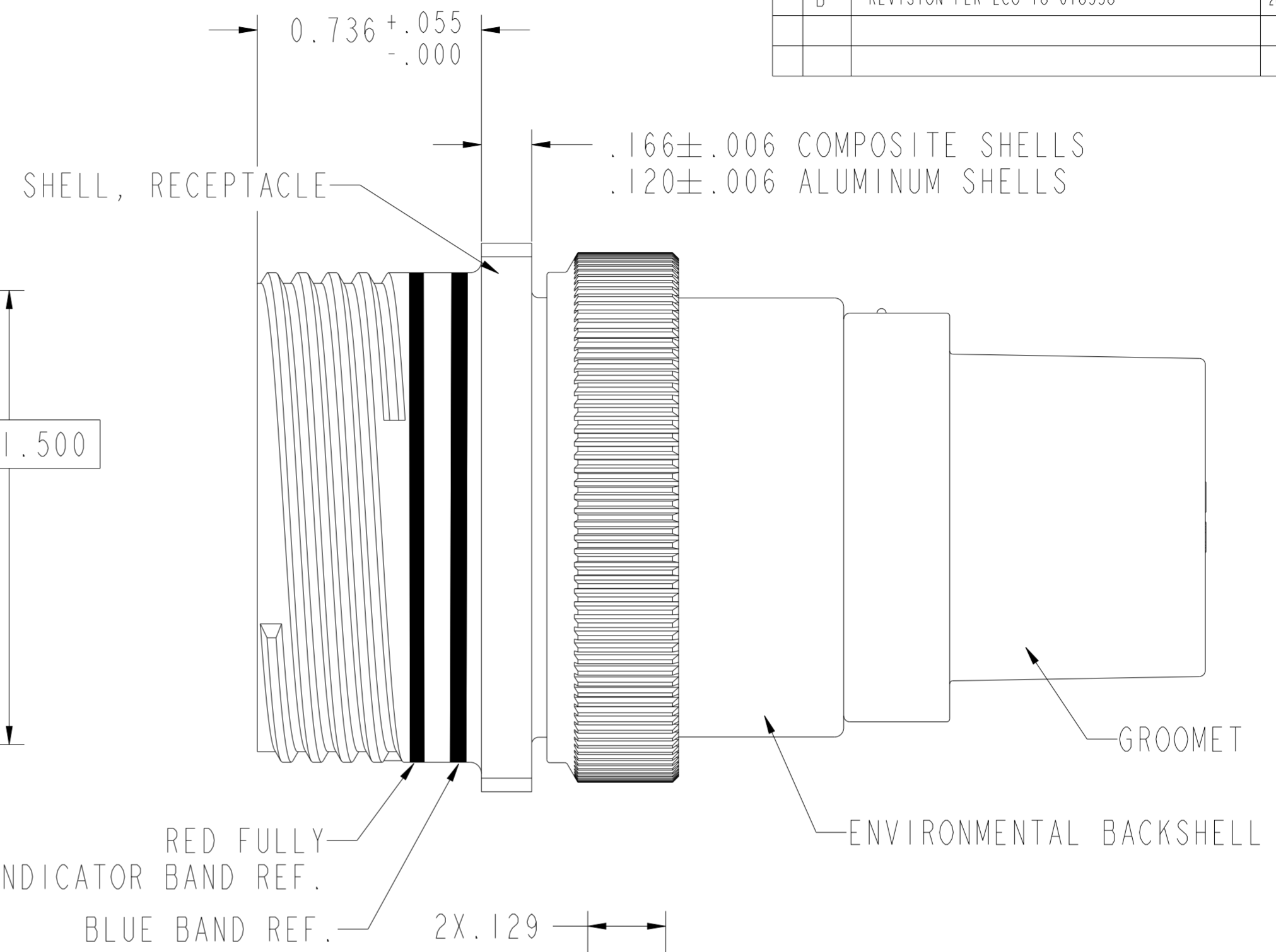
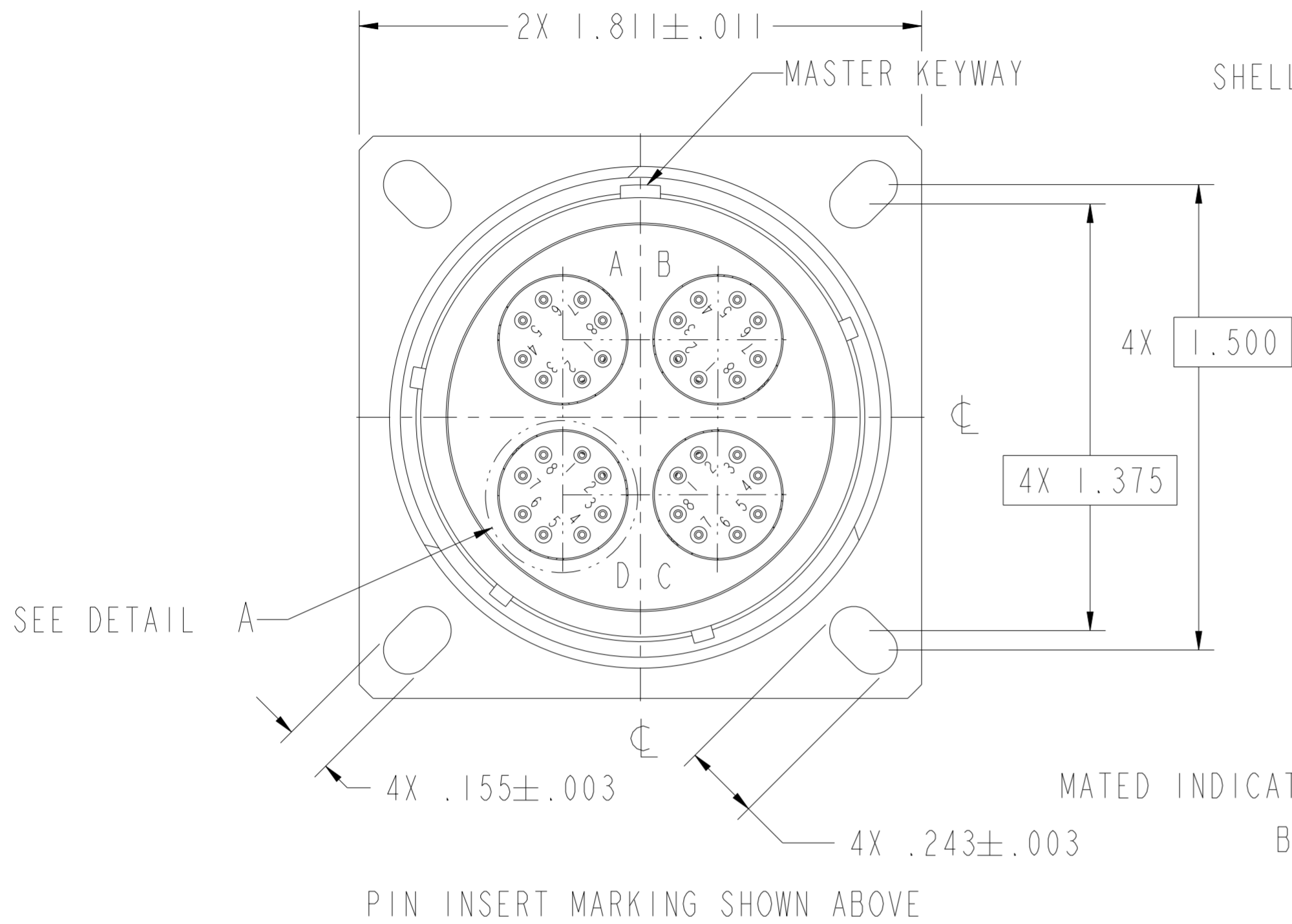


THIS DRAWING IS UNPUBLISHED. RELEASED FOR PUBLICATION 20  
 © COPYRIGHT 20 BY - ALL RIGHTS RESERVED.

PROPERTY OF THE TE CONNECTIVITY  
 THIS INFORMATION IS CONFIDENTIAL AND PROPERTY TO TYCO ELECTRONICS CORPORATION  
 AND ITS WORLDWIDE SUBSIDIARIES AND AFFILIATES (TE). IT MAY NOT BE DISCLOSED TO  
 ANYONE, OTHER THAN TE PERSONNEL, WITHOUT AUTHORIZATION FROM TE (www.TE.com).

LOC		DIST		REVISIONS			
P	LTR	DESCRIPTION	DATE	DWN	APVD		
A		NEW RELEASE PER ECO-16-000996	160122				
B		REVISION PER ECO-18-018558	20NOV2018	JPF	JPF		



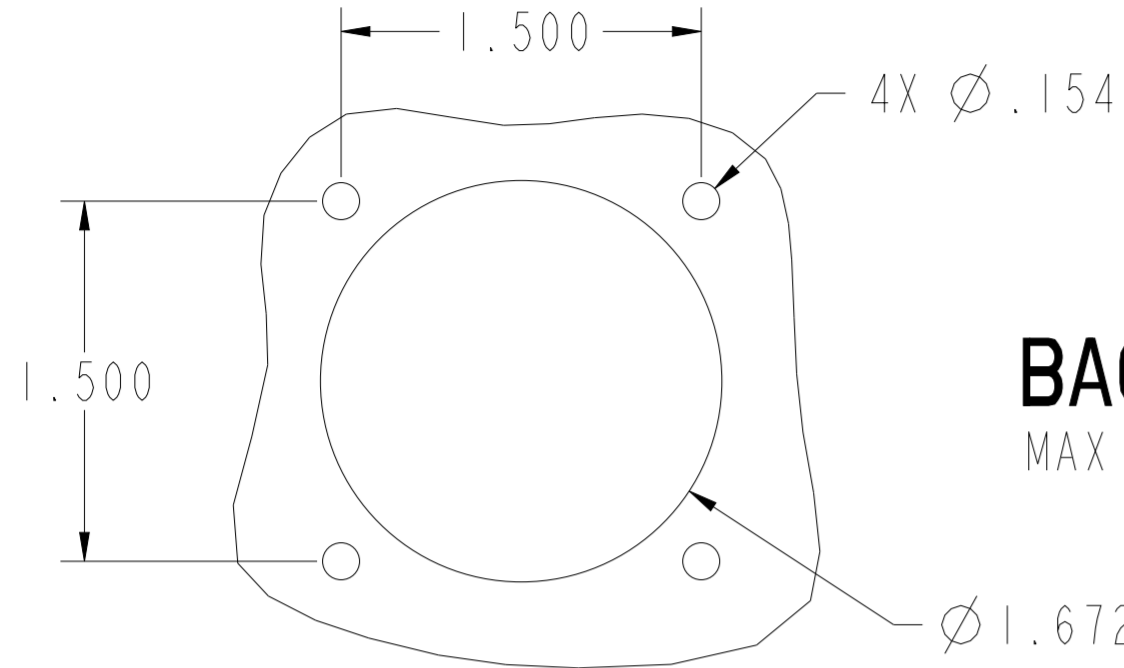
SEE SHEET 2 FOR APPLICABLE NOTES

THIS DRAWING IS A CONTROLLED DOCUMENT.		DWN	JPF	140218	 TE Connectivity
DIMENSIONS:		CHK	JPF	160122	
i n		APVD	AR	160122	
TOLERANCES UNLESS OTHERWISE SPECIFIED:		PRODUCT SPEC		NAME	
0 PLC	±	APPLICATION SPEC		CONNECTOR, RECEPTACLE	
1 PLC	±0.1	-		FLANGE MOUNT	
2 PLC	±0.01	-		2532 ARRANGEMENT	
3 PLC	±0.001	-		SIZE	A2
4 PLC	±0.0001	-		CAGE CODE	00779
ANGLES	±	-		DRAWING NO	C-CFX20x2532xxx
FINISH	3	-		RESTRICTED TO	-
MATERIAL		WEIGHT		CUSTOMER DRAWING	
TBD		-		SCALE	2.500
				SHEET	1 OF 6
				REV	B1

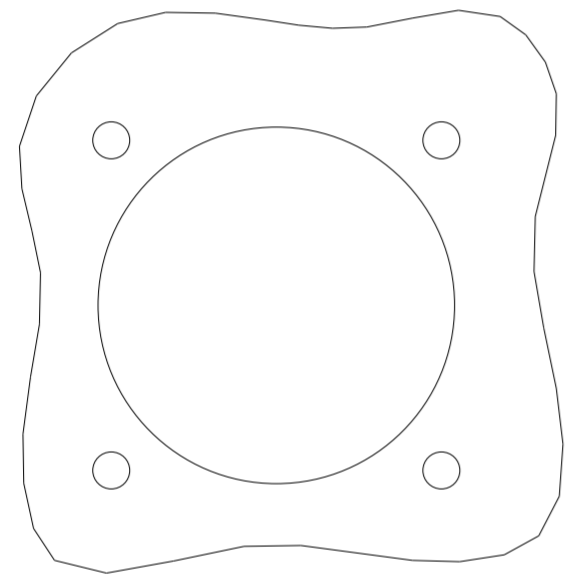
THIS DRAWING IS UNPUBLISHED. RELEASED FOR PUBLICATION 20  
 © COPYRIGHT 20 BY - ALL RIGHTS RESERVED.

PROPERTY OF THE TE CONNECTIVITY  
 THIS INFORMATION IS CONFIDENTIAL AND PROPERTY TO TYCO ELECTRONICS CORPORATION  
 AND ITS WORLDWIDE SUBSIDIARIES AND AFFILIATES (TE). IT MAY NOT BE DISCLOSED TO  
 ANYONE, OTHER THAN TE PERSONNEL, WITHOUT AUTHORIZATION FROM TE (www.TE.com).

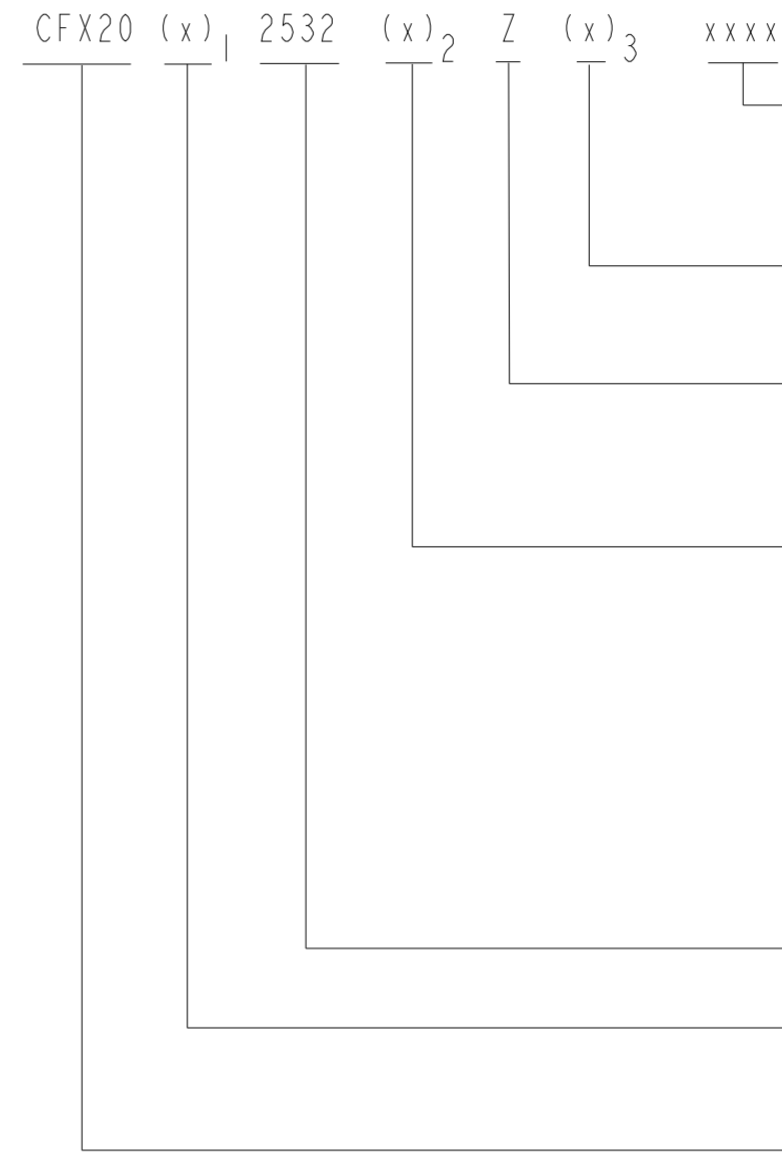
LOC		DIST		REVISIONS			
P	LTR	DESCRIPTION	DATE	DWN	APVD		
-	-	SEE SHEET 1	-	-	-		



**BACK PANEL MOUNTING**  
 MAX DISTANCE BETWEEN MOUNTING SCREWS



**FRONT PANEL MOUNTING**  
 MAX DISTANCE BETWEEN MOUNTING SCREWS



MODIFICATION  
 M002 = INCLUDE QTY 4 BAND CLAMPS  
 PART NUMBER BND-0812S

KEYING POSITION:  
 N, A, B, C, D, E

CONTACT TERMINATION:  
 Z = CRIMPED CONTACT  
 A THROUGH Y = EXTENDED CONTACT

CONTACT FINISH:  
 P = PIN LOCALIZED GOLD FINISH  
 S = SOCKET LOCALIZED GOLD FINISH  
 F = PIN FULL GOLD FINISH  
 G = SOCKET FULL GOLD FINISH  
 H = PIN HI REL FINISH  
 J = SOCKET HI REL FINISH  
 A = LESS PIN CONTACT  
 B = LESS SOCKET CONTACT

SHELL SIZE/INSERT ARRANGMENT

PLATING/SHELL MATERIAL:  
 SEE TABLE

BASIC IDENTIFIER

- 8. PARTS ARE KITTED AS SEPARATE COMPONENTS FOR DELIVERY
- 7. TORQUE LEVEL FOR SIZE 25 BACKSHELL: 140/120 INCH\*POUNDS.
- 6. COMPOSITE WEIGHT WITHOUT MODULES AND CABLE: 0.196 POUNDS.  
 METAL WEIGHT WITHOUT MODULES AND CABLE: 0.227 POUNDS.  
 PIN MODULE, FOLLOWER AND BRAID SUPPORTS WEIGHT: .011 LBS.  
 SOCKET MODULE, FOLLOWER AND BRAID SUPPORTS WEIGHT: .017 LBS.
- 5. MATES WITH CFX26x2532xxx.

- 4. FINISH: SHELL/BACKSHELL - SEE TABLE.  
 CONTACTS - SEE PART NUMBER BREAKDOWN.
- 3. MATERIAL: SHELL - SEE TABLE.  
 BACKSHELL/ COUPLING RING - ALUMINUM ALLOY.  
 CONTACTS - COPPER ALLOY.  
 RESILIENT INSERTS/BACKSHELL GROMMET - SILICONE ELASTOMER.  
 PLASTIC INSERTS - THERMOPLASTIC.

2. FOR AVAILABILITY CONSULT FACTORY.

1. ALL DIMENSIONS ARE IN INCHES UNLESS OTHERWISE SPECIFIED.

PART NUMBER (x)1	PLATING	SHELL MATERIAL
M	NICKEL	COMPOSITE
J	O.D. CAD	COMPOSITE
F	NICKEL	ALUMINUM
W	O.D. CAD	ALUMINUM
S	NICKEL	STAINLESS STEEL
T	PTFE NICKEL	ALUMINUM
Z	BLACK ZINC NICKEL	ALUMINUM

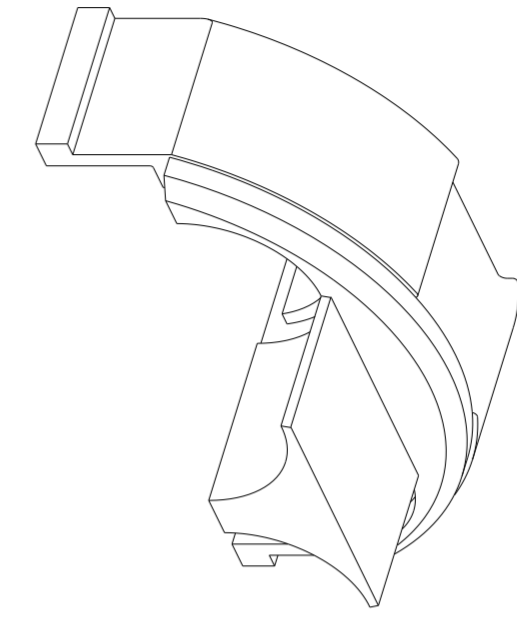
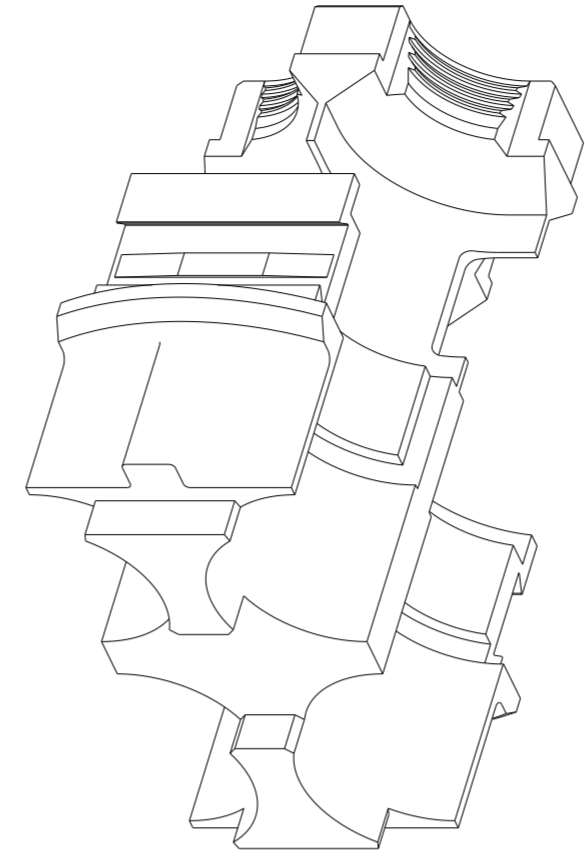
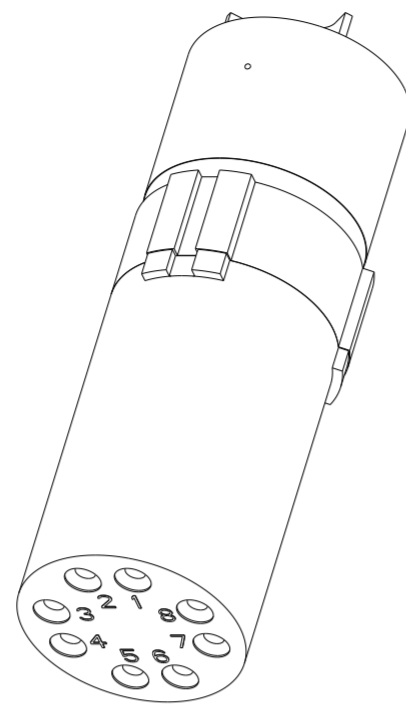
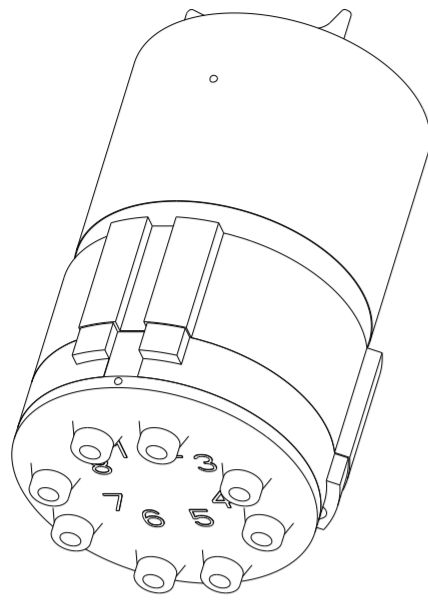
SIZE 25 PART NUMBER(x)3	POS
CFX20x2532xZN	N
CFX20x2532xZA	A
CFX20x2532xZB	B
CFX20x2532xZC	C
CFX20x2532xZD	D
CFX20x2532xZE	E

THIS DRAWING IS A CONTROLLED DOCUMENT.

DWN	JPF	140218	 TE Connectivity	
CHK	JPF	160122		
APVD	AR	160122		
PRODUCT SPEC	-	-		
APPLICATION SPEC	-	-	NAME	CONNECTOR, RECEPTACLE FLANGE MOUNT 2532 ARRANGEMENT
WEIGHT	-	-	SIZE	A2
CUSTOMER DRAWING	SCALE	2.500	CAGE CODE	00779
			DRAWING NO	CFX20x2532xxx
			RESTRICTED TO	-
			SHEET	2 OF 6
			REV	B1

THIS DRAWING IS UNPUBLISHED. RELEASED FOR PUBLICATION 20  
 © COPYRIGHT 20 BY - ALL RIGHTS RESERVED.

LOC		DIST		REVISIONS			
P	LTR	DESCRIPTION	DATE	DWN	APVD		
-	-	SEE SHEET 1	-	-	-		

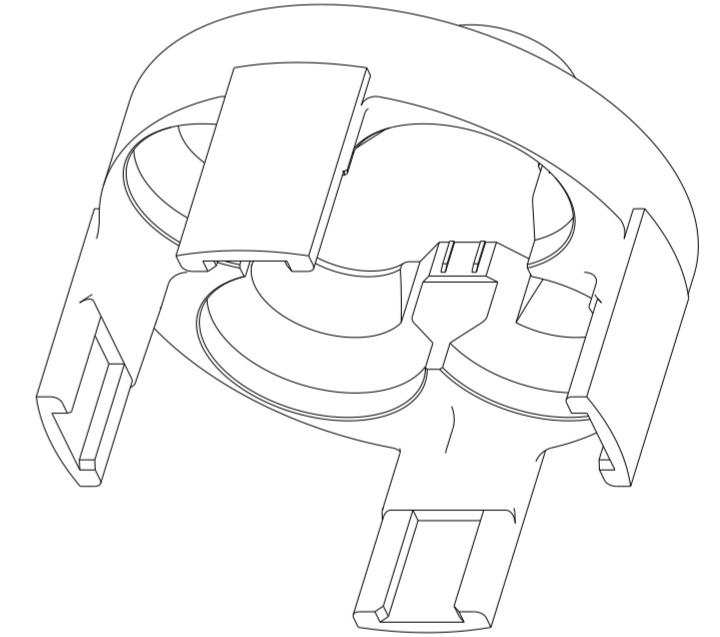
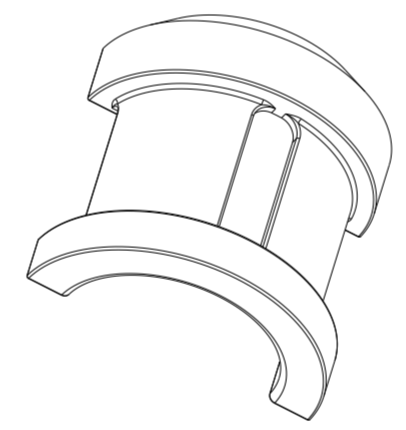
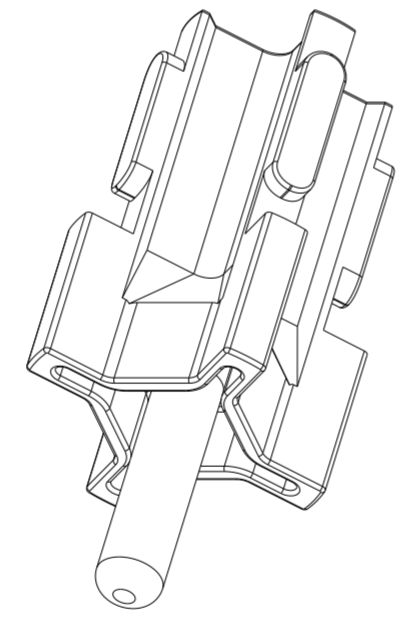


PIN MODULES	
PART NUMBER	DESCRIPTION
A-08P-02	PIN MODULE A
B-08P-02	PIN MODULE B
C-08P-02	PIN MODULE C
D-08P-02	PIN MODULE D

SOCKET MODULES	
PART NUMBER	DESCRIPTION
A-08S-02	SKT MODULE A
B-08S-02	SKT MODULE B
C-08S-02	SKT MODULE C
D-08S-02	SKT MODULE D

MODULE HOUSING	
PART NUMBER	DESCRIPTION
3311-253-25266	MODULE HOUSING

MODULE RETAINER	
PART NUMBER	DESCRIPTION
3311-254-25266	MODULE RETAINER



MODULE FOLLOWER	
PART NUMBER	DESCRIPTION
3302-210-08266	MODULE FOLLOWER

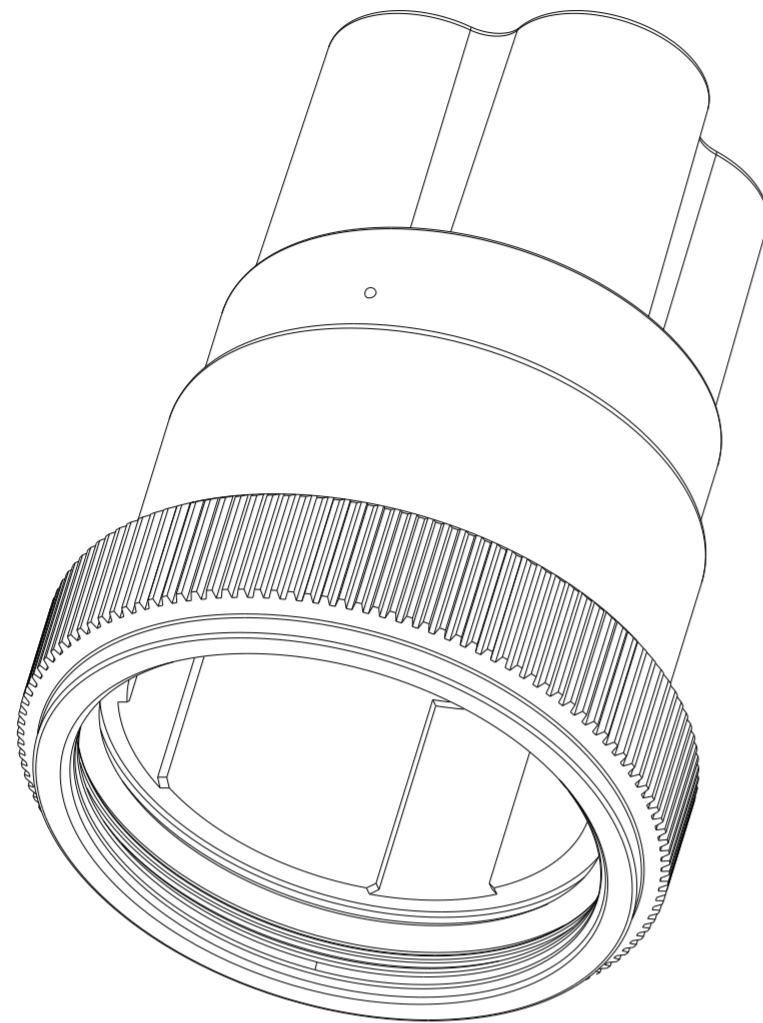
BRAID SUPPORT	
PART NUMBER	DESCRIPTION
3320-215-00261	BRAID SUPPORT

BRAID FOLLOWER	
PART NUMBER	DESCRIPTION
3311-251-25266	BRAID FOLLOWER

THIS DRAWING IS A CONTROLLED DOCUMENT.		DWN	JPF	140218	 TE Connectivity	
DIMENSIONS:		CHK	JPF	160122		
i n		APVD	AR	160122		
		PRODUCT SPEC	-	-		
TOLERANCES UNLESS OTHERWISE SPECIFIED:		APPLICATION SPEC	-	-	NAME	CONNECTOR, RECEPTACLE FLANGE MOUNT 2532 ARRANGEMENT
0 PLC	±-	WEIGHT	-	-	SIZE	A2
1 PLC	±0.1	CUSTOMER DRAWING	-	-	CAGE CODE	00779
2 PLC	±0.01	SCALE	2.500	-	DRAWING NO	C-CFX20x2532xxx
3 PLC	±0.001	SHEET	3	OF	6	REV
4 PLC	±0.0001	RESTRICTED TO	-	-	-	B1
ANGLES	±					
FINISH	±					

THIS DRAWING IS UNPUBLISHED. RELEASED FOR PUBLICATION 20  
 © COPYRIGHT 20 BY - ALL RIGHTS RESERVED.

LOC		DIST		REVISIONS			
P	LTR	DATE	DWN	APVD			
-	-	-	-	-	SEE SHEET 1		



RECEPTACLE BACKSHELL	
PART NUMBER	TYPE DESCRIPTION
3308-210-2558	NICKEL PLATED ALUMINUM
3308-210-25149	OD CAD PLATED ALUMINUM
3308-210-25336	NICKEL FLUOROCARBON POLYMER PLATED ALUMINUM
3308-210-25332	BLACK ZINC NICKEL PLATED ALUMINUM

P,S LOCALIZED FINISHED CONTACTS	
PART NUMBER	DESCRIPTION
38941-22L	PIN CONTACT
38943-22L	SOCKET CONTACT

F,G FULL GOLD FINISHED CONTACTS	
PART NUMBER	DESCRIPTION
38941-22	PIN CONTACT
38943-22	SOCKET CONTACT

H,J HI REL FINISHED CONTACTS	
PART NUMBER	DESCRIPTION
12331-22	PIN CONTACT
12333-22	SOCKET CONTACT

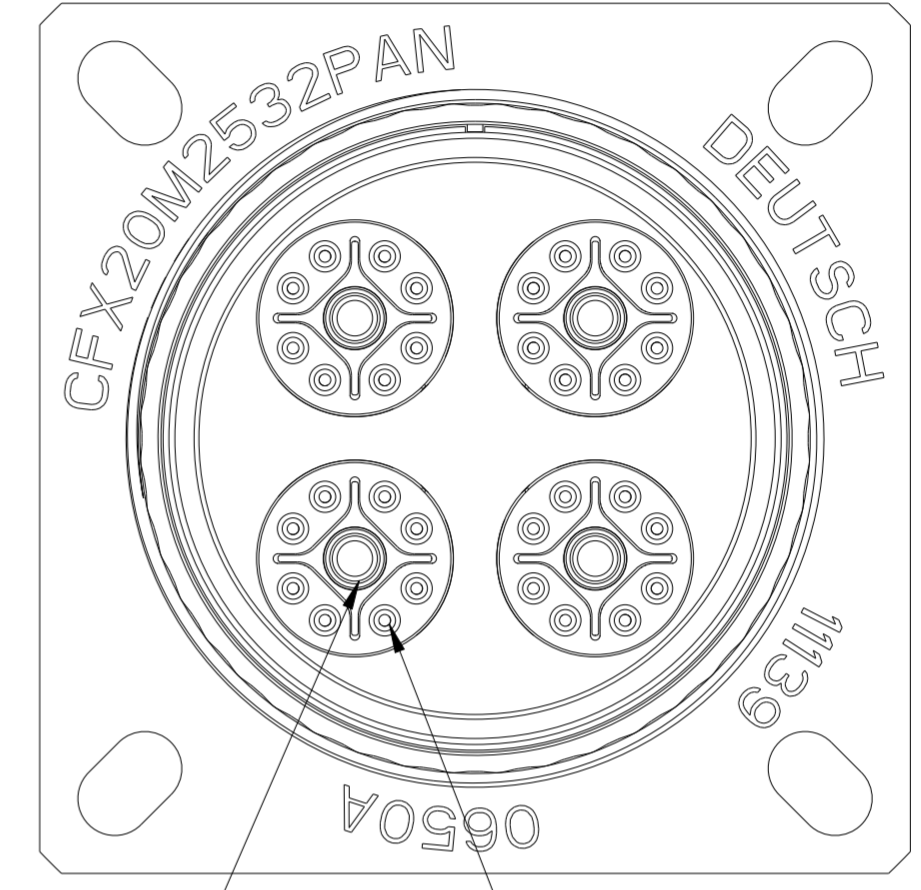
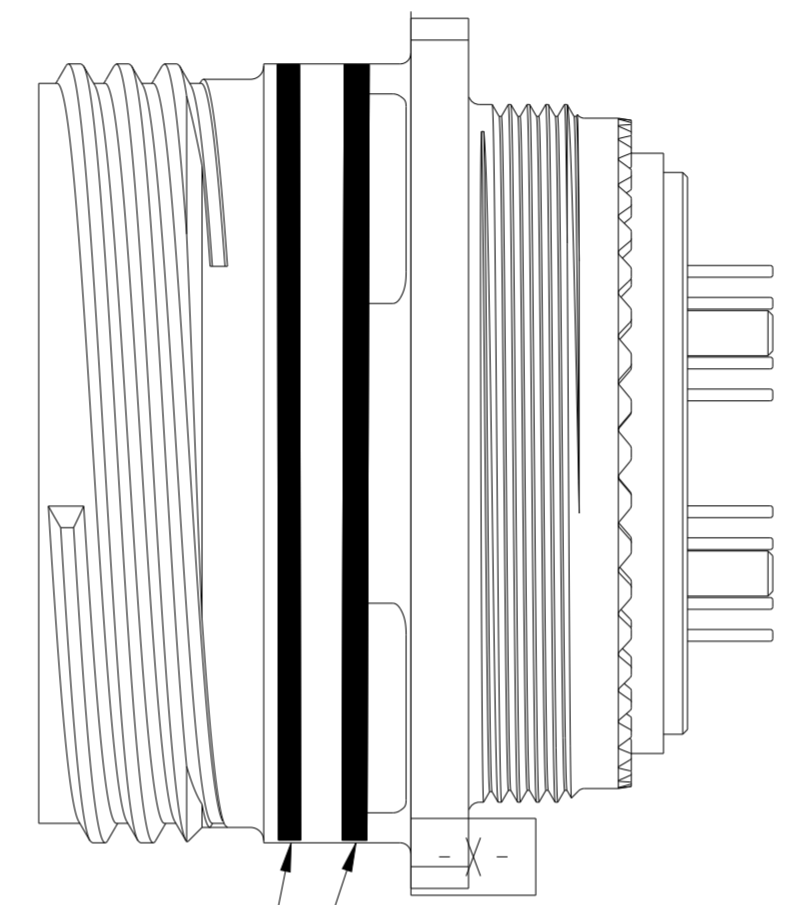
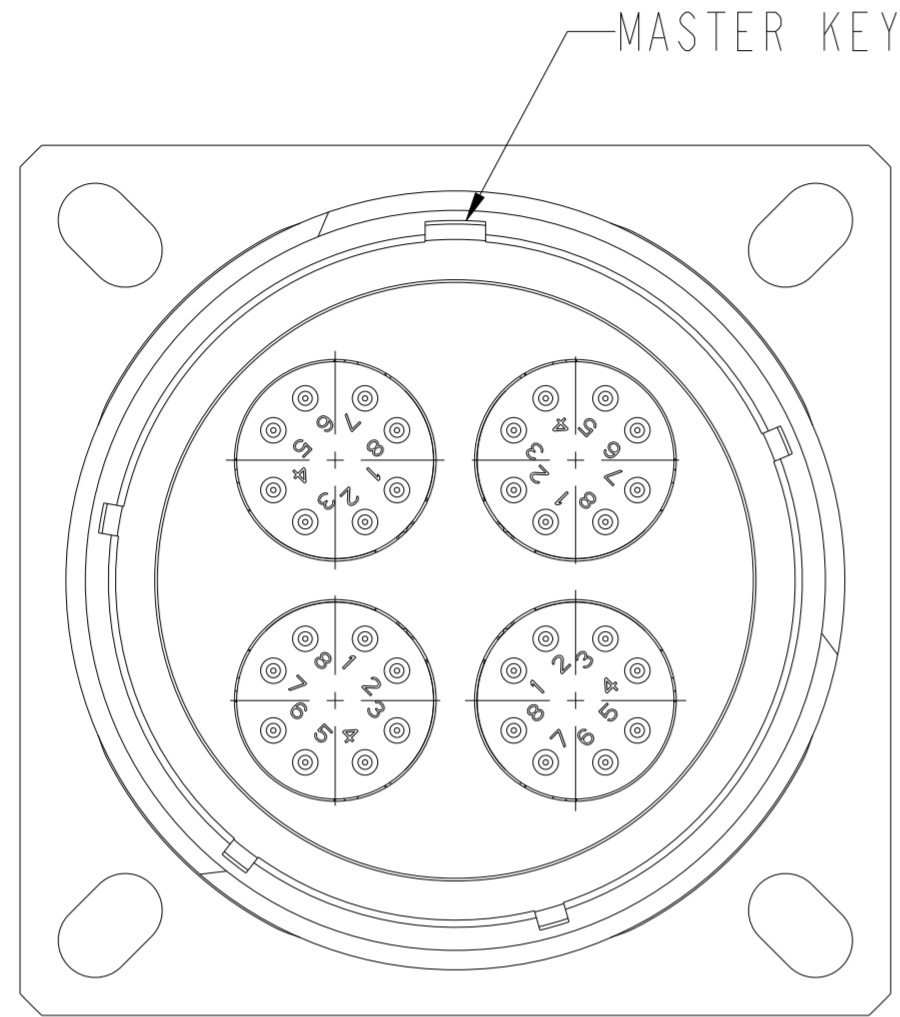
INSERTION/REMOVAL TOOL	
PART NUMBER	DESCRIPTION
M81969/14-01	SIZE 22 TOOL

BAND CLAMP	
PART NUMBER	DESCRIPTION
BND-0812S	ONE STEP BAND - STRAIGHT

THIS DRAWING IS A CONTROLLED DOCUMENT.		DWN	140218	 TE Connectivity
		CHK	160122	
		APVD	160122	
		AR		
DIMENSIONS: in 		TOLERANCES UNLESS OTHERWISE SPECIFIED: 0 PLC ± 1 PLC ±0.1 2 PLC ±0.01 3 PLC ±0.001 4 PLC ±0.0001 ANGLES ± FINISH		NAME CONNECTOR, RECEPTACLE FLANGE MOUNT 2532 ARRANGEMENT
MATERIAL TBD		PRODUCT SPEC	-	SIZE A2
		APPLICATION SPEC	-	CAGE CODE 00779
		WEIGHT	-	DRAWING NO CFX20x2532xxx
		CUSTOMER DRAWING		RESTRICTED TO -
		SCALE	2.500	SHEET 4 OF 6
				REV B1

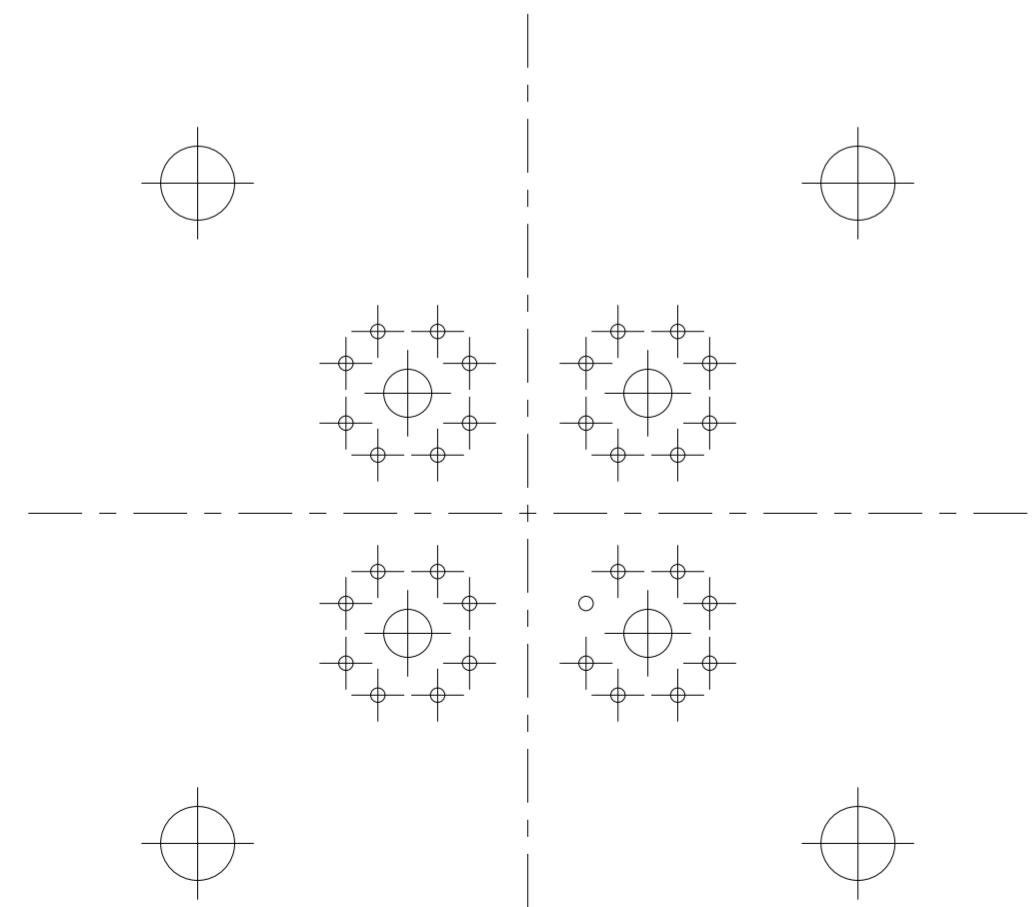
THIS DRAWING IS UNPUBLISHED. RELEASED FOR PUBLICATION 20  
 © COPYRIGHT 20 BY - ALL RIGHTS RESERVED.

LOC		DIST		REVISIONS			
P	LTR	DESCRIPTION		DATE	DWN	APVD	
-	-	SEE SHEET 1		-	-	-	



RED FULLY MATED INDICATOR BAND REF.  
 BLUE BAND REF.

4X CONTACT TWO  
 32X CONTACT ONE



CONTACT CONFIGURATION IDENTIFIER	CONTACT LENGTH ±.025	CONTACT ONE DIAMETER ±.003	CONTACT TWO DIAMETER ±.003	PLATING
A	.634 ALUMINUM SHELLS .623 COMPOSITE SHELLS	.025	.095	GOLD OVER NICKEL
B	TBD			
C	TBD			
D	TBD			

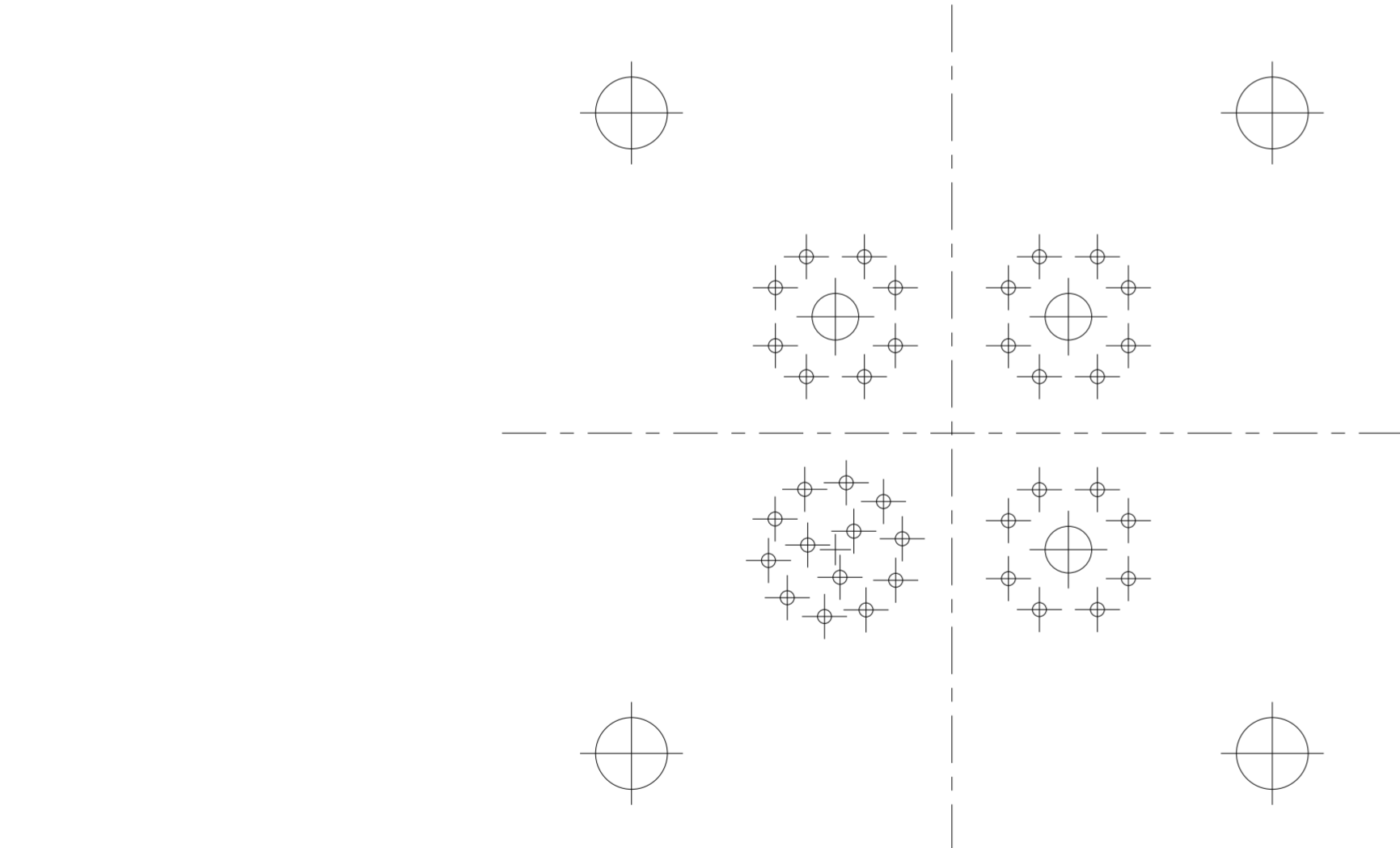
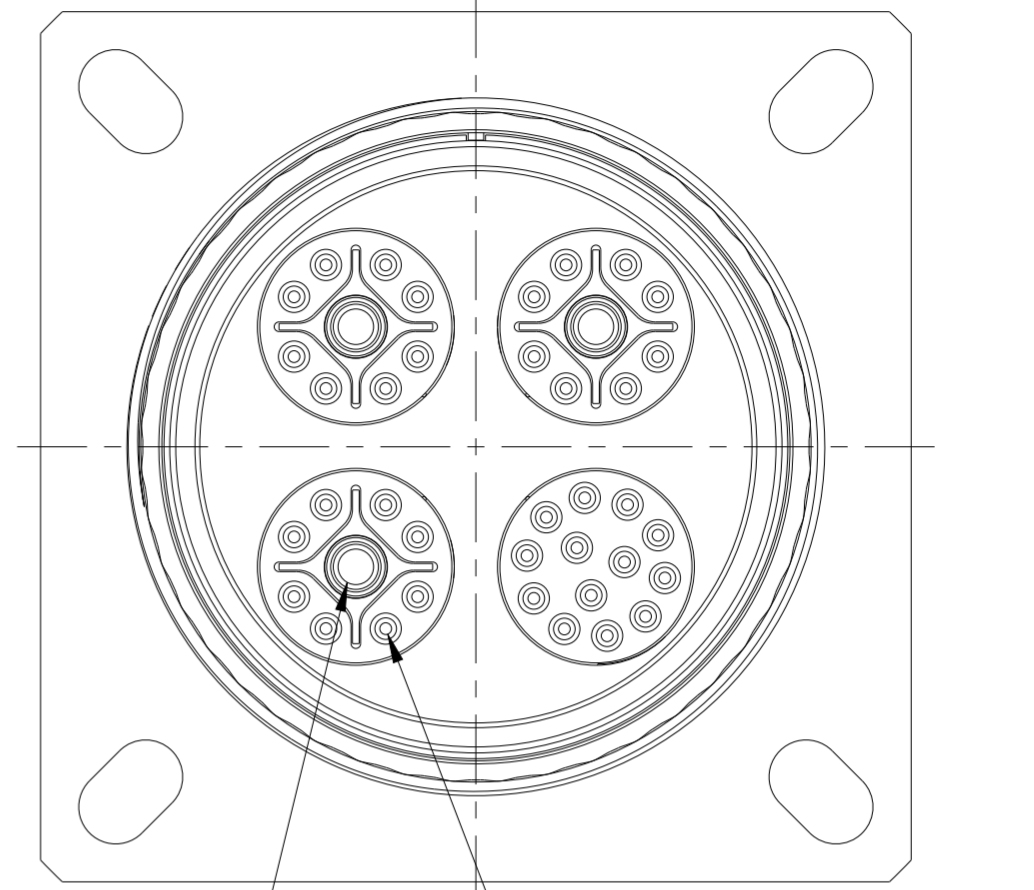
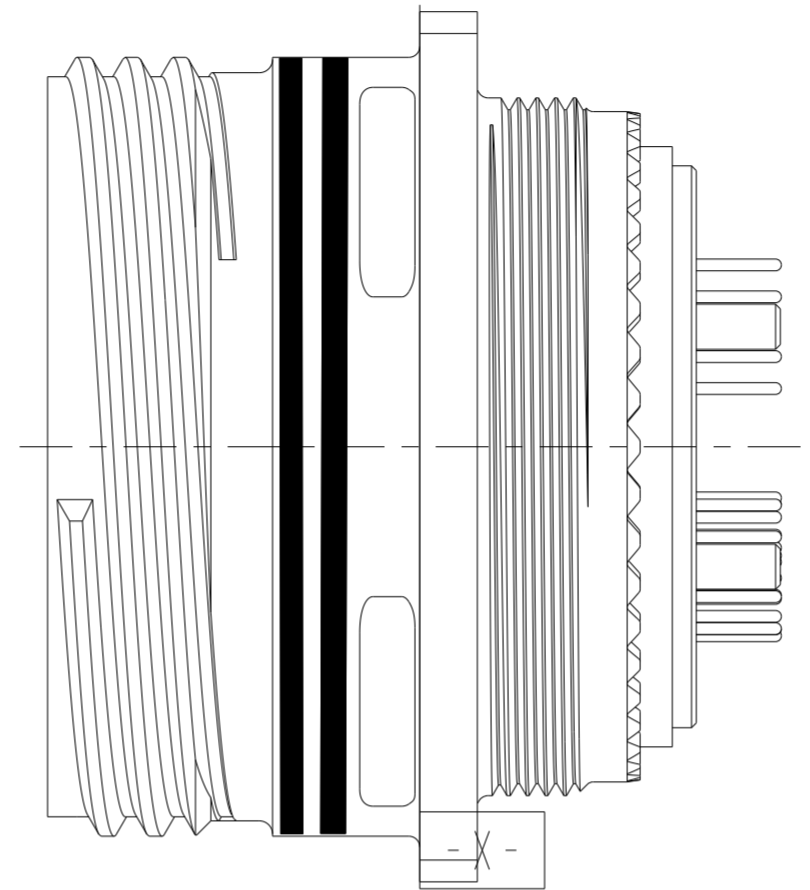
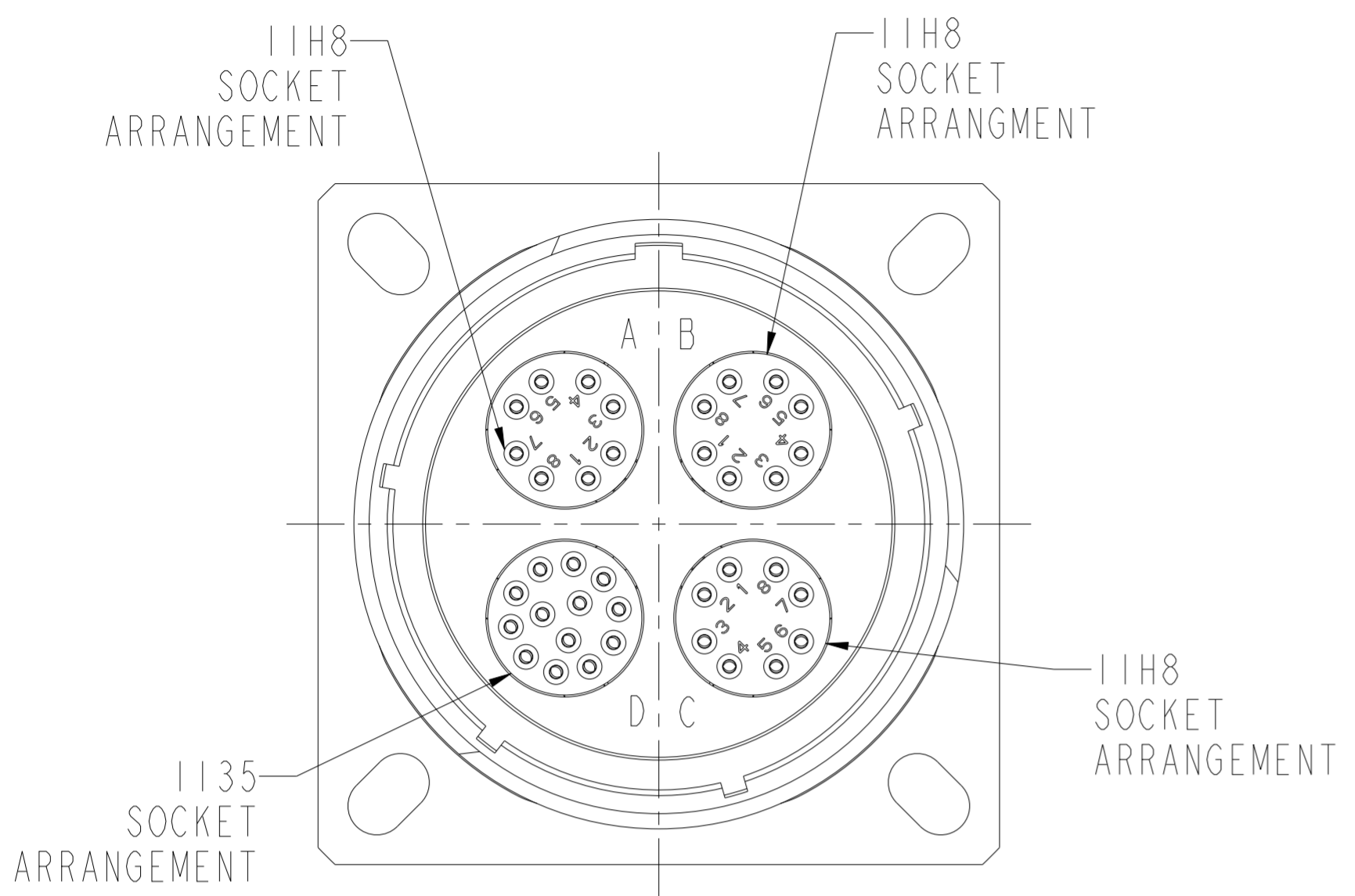
NOTES:

1. THIS PAGE IS FOR CONTACT TERMINATION CODE A THROUGH Y.  
 SEE PAGE 2 FOR PART NUMBER BREAKDOWN.

THIS DRAWING IS A CONTROLLED DOCUMENT.		DWN	JPF	140218	<b>STE</b> TE Connectivity	
DIMENSIONS: in		CHK	JPF	160122		
TOLERANCES UNLESS OTHERWISE SPECIFIED:		APVD	AR	160122	NAME CONNECTOR, RECEPTACLE FLANGE MOUNT 2532 ARRANGEMENT	
0 PLC ± 1 PLC ±0.1 2 PLC ±0.01 3 PLC ±0.001 4 PLC ±0.0001 ANGLES ± FINISH		PRODUCT SPEC	-	-		
MATERIAL	TBD	APPLICATION SPEC	-	-	SIZE	A2
		WEIGHT	-	-	CAGE CODE	00779
		CUSTOMER DRAWING	-	-	DRAWING NO	C-CFX20x2532xxx
		SCALE	2.500	SHEET	5	OF 6
		REV	B1			

THIS DRAWING IS UNPUBLISHED. RELEASED FOR PUBLICATION 20  
 © COPYRIGHT 20 BY - ALL RIGHTS RESERVED.

LOC		DIST		REVISIONS			
P	LTR	DESCRIPTION		DATE	DWN	APVD	
-	-	SEE SHEET 1		-	-	-	



CONTACT CONFIGURATION IDENTIFIER	CONTACT LENGTH ±.025	CONTACT ONE DIAMETER ±.003	CONTACT TWO DIAMETER ±.003	PLATING
A	.634 ALUMINUM SHELLS .623 COMPOSITE SHELLS	.025	.095	GOLD OVER NICKEL
B	TBD			
C	TBD			
D	TBD			

NOTES:

1. THIS PAGE IS FOR CONTACT TERMINATION CODE A THROUGH Y.  
 SEE PAGE 2 FOR PART NUMBER BREAKDOWN.

THIS DRAWING IS A CONTROLLED DOCUMENT.		DWN	JPF	140218	 TE Connectivity
DIMENSIONS: in		CHK	JPF	160122	
TOLERANCES UNLESS OTHERWISE SPECIFIED:		APVD	AR	160122	
0 PLC ±- 1 PLC ±0.1 2 PLC ±0.01 3 PLC ±0.001 4 PLC ±0.0001 ANGLES ± FINISH		PRODUCT SPEC	NAME		
MATERIAL	TBD	APPLICATION SPEC	SIZE		A2
		WEIGHT	CAGE CODE		00779
		CUSTOMER DRAWING	DRAWING NO		C-CFX20x2599xxx
		SCALE	RESTRICTED TO		-
		SHEET	REV		6 OF 6 BI